

SMALL POCKET KNIVES



- blade
- nailfile with
- nail cleaner
- scissors
- key ring
- tweezers
- toothpick
- nailfile with
- screwdriver
- caplifter with
- magnet, Phillips screwdriver
- wire stripper
- bright LED
- ballpoint pen
- USB drive
- serrated edge scissors and lever
- nail clipper



MEDIUM POCKET KNIVES



- large blade
- small blade
- cork screw
- can opener with
- cap lifter with
- cap lifter with
- screwdriver
- wire stripper
- reamer, punch
- key ring
- tweezers
- toothpick
- scissors
- multi-purpose hook
- wood saw
- fish scaler with
- hook disgorging
- ruler (cm + inches)
- nailfile with
- metal file
- nail cleaner
- metal saw
- screwdriver 2.5 mm
- chisel and scraper
- pliers with
- wire cutters
- wire crimping tool
- Phillips screwdriver
- magnifying glass
- pressurized ballpoint pen
- pin, stainless steel
- mini-screwdriver
- sewing eye
- wrench with
- Hex drive 5 mm
- Hex drive 4 mm for the bits
- case with 6 bits (bit slotted 4 mm, bit Phillips 2, bit hex 4 mm, bit Torx 8/10/15)
- Digital clock 12h/24h
- Alarm
- Countdown
- Timer
- Altimeter m/feet
- Barometer
- Thermometer
- LED
- serrated edge scissors and lever
- pliers with
- shifting opening
- wire crimping tool
- nut wrench
- universal wrench combination tool:
- caplifter
- can opener
- screwdriver
- wire stripper

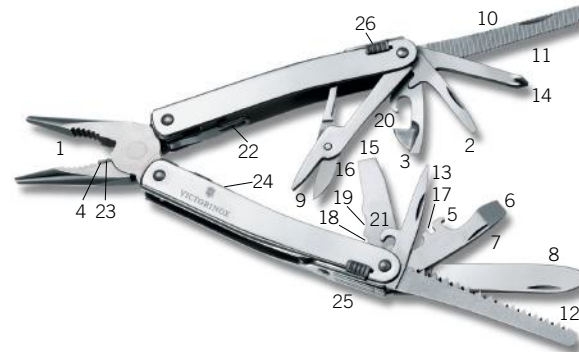


LARGE POCKET KNIVES



- large lock blade
- cork screw
- can opener with
- screw driver
- cap lifter with
- screw driver
- wire stripper
- reamer, punch
- keyring
- tweezers
- toothpick
- wood saw
- scissors
- long small Phillips screwdriver
- metal saw with
- metal file
- pliers with
- wire cutters
- wire crimping tool
- Phillips screwdriver 1-2
- mini-screwdriver
- lock blade for one hand opening with 2/3 wavy cut
- Phillips screwdriver
- window breaker
- lockable crate opener
- seatbelt cutter
- saw for shatterproof glass
- Nylon cord
- cheese blade
- large lock blade
- needlenose pliers with
- wire cutter
- nut wrench
- bit holder
- bit Phillips 3
- bit for slotted head 0.6 x 4.5 mm
- (Hunter XT: gutting blade)
- (Hunter XT: gutting blade)

SWISSTOOLS



- needlenose pliers
- screwdriver 2 mm
- screwdriver 3 mm
- wire cutter for thin and soft wire up to 40 HRc
- cap lifter
- screwdriver 6 mm
- crate opener
- blade
- scissors
- metal file
- metal saw
- wood saw
- reamer and punch
- Phillips screwdriver 1+2
- chisel/scraper
- cable cover cutter lengthwise
- wire bender
- wire stripper and scraper
- cable cover cutter circular
- can opener
- multi purpose hook
- coupling for corkscrew
- hard wire cutter
- lanyard hole
- ten individual springs
- lock release
- case
- bitwrench
- bit Hex 3
- bit Hex 4
- bit Phillips 0
- bit Phillips 3
- bit Torx 10
- bit Torx 15
- space for additional bits
- mini-screwdriver
- corkscrew
- ratchet (30 Nm) (instead of bitwrench)
- extension bar
- ruler (230 mm)
- ruler (9 Zoll)

SWISSCARDS



- letter opener (blade)
- scissors
- pin, stainless steel
- pressurized ballpoint pen
- tweezers
- magnifying glass
- screwdriver 3 mm
- screwdriver 5 mm
- Phillips screwdriver 00-0
- Phillips screwdriver 1-2
- LED
- ruler (cm)
- ruler (inches)
- nailfile with
- screw driver
- toothpick
- glass nailfile

FUNCTIONS AND APPLICATIONS

1.6795 SWISSCHAMP
33 functions



- | | |
|------------------------|-------------------------------|
| 1. large blade | 20. nail file with |
| 2. small blade | 21. – metal file |
| 3. corkscrew | 22. – nail cleaner |
| 4. can opener with | 23. – metal saw |
| 5. – small screwdriver | 24. fine screwdriver |
| 6. bottle opener with | 25. chisel |
| 7. – screwdriver | 26. pliers with |
| 8. – wire stripper | 27. – wire cutters |
| 9. reamer, punch | 28. – wire crimping tool |
| 10. key ring | 29. Phillips screwdriver |
| 11. tweezers | 30. magnifying glass |
| 12. toothpick | 31. pressurized ballpoint pen |
| 13. scissors | 32. stainless steel pin |
| 14. multipurpose hook | 33. mini screwdriver |
| 15. wood saw | |
| 16. fish scaler with | |
| 17. – hook disgorger | |
| 18. – ruler (cm) | |
| 19. – ruler (inches) | |

