

WALTHER

PISTOL Q5 MATCH SF

EN

DE

FR

ES

IT

TU



READ THE INSTRUCTIONS AND WARNINGS IN THIS MANUAL CAREFULLY BEFORE USING THIS FIREARM.

STEEL FRAME

**NOTE:**

This manual refers to the use of the pistol by civilian users. Instructions for law enforcement use may differ from what is described in this manual.

Throughout this instruction manual, position designations such as »left,« »right,« »forward,« »rear,« and so on, are referenced to a pistol held in a normal firing position. In other words, pointed away from the shooter, barrel in a generally horizontal direction, and with the grip of the pistol pointing downwards.

Explanations in this manual are based on right hand operation. Left-handed users should operate vice versa.

Note that the illustrations in this manual are for explanation purposes and may differ from the actual gun.

TABLE OF CONTENTS

1 Safety Instructions	4
2 Product Description	5
2.1 Functional Description	5
2.2 Package Contents	5
2.3. Ammunition	6
2.4. Functional Elements	7
3 Handling the Pistol	10
3.1 Inspecting the Pistol	10
3.2 Loading	11
3.3 Firing	12
3.4 Exchanging empty Magazines	13
3.5 Unloading the Pistol	13
3.6 Clearing Misfires	14
4 Field-Stripping, Cleaning, Lubrication, and Maintenance	15
4.1 Main Components	15
4.2 Striker Assembly	16
4.3 Extractor	17
4.4 Magazine	18
4.5 Recoil Guide Rod Assembly	20
4.6 Cleaning the Pistol	21
4.7 Lubrication	22
4.8 Maintenance before Storing	23
5 Adjusting the Pistol to its User	23
5.1 Magazine Release	23
5.2 Changing the Grip Panels	24
5.3 Trigger Break	25
5.4 Sights	26
6 Technical Specifications	29
7 Exploded Diagramm	30
8 Parts List	31

Q5 MATCH SF

1 SAFETY INSTRUCTIONS

1 SAFETY INSTRUCTIONS

- Before handling the pistol, thoroughly familiarize yourself with all of its functions and handling characteristics by carefully reading the entire instruction manual.
- When performing a safety check, before cleaning the pistol, prior to shooting, or when accessing a malfunction, always check that the firearm is unloaded (magazine removed from pistol and chamber clear). Visually check that the bore of the barrel is clear of any obstruction and the magazine is empty.
- When not shooting, keep ammunition stored separately from the pistol. Store each in separate and secure locations. Unauthorized persons, such as children, must not have access to either the ammunition or the pistol.
- Always treat every firearm as if it were loaded and would fire if the trigger is squeezed. Handle the pistol in a conscientious and professional manner so as to not endanger yourself or bystanders. Always keep the muzzle of the firearm pointed in a safe direction. Never point a firearm at anyone or anything you do not intend to shoot, whether or not it is loaded.
- Caution: Keep your finger off the trigger and outside of the pistol's trigger guard until you have aligned the pistol's sights on a safe target and you have made the decision to fire. Always be sure of your target and what is beyond it.
- Never use force when operating, checking, field-stripping, cleaning, or assembling the pistol. Incorrect handling will impair the functioning and safety of the pistol. The pistol must not be disassembled further than shown in this instruction manual.
- Safety and correct functioning are assured only when the pistol and ammunition are in prime condition.
- Always have the pistol inspected by a qualified gunsmith if you suspect it is not functioning properly or has been damaged, such as by corrosion, being dropped, and so on.
- Always wear adequate and proper hearing protection and safety glasses specified for firearm use. Also make sure others in the vicinity of where you will be shooting are also wearing adequate and proper hearing protection and safety glasses.
- Your firearm has been designed for use with a specific type and caliber of ammunition. The correct caliber intended for use in the pistol is marked on the pistol. Use only ammunition corresponding to the caliber of the weapon and which conforms to the provisions of the Commission Internationale Permanente pour l'Epreuve des Armes à Feu portatives (International Proof Commission/C.I.P.) or Sporting Arms and Ammunition Manufacturers' Institute (SAAMI). When using reloaded ammunition do not exceed the permitted gas/chamber pressure according to C.I.P or SAAMI. Excessive pressure can damage or even destroy any firearm. Ammunition with velocities and pressures higher than those for which the weapon was designed will subject the weapon to additional stress, cause excessive wear, and may cause serious damage to the pistol.
- Before loading, always wipe off any excess grease and oil and make sure that the bore of the barrel is clean and clear of any obstruction.

2 PRODUCT DESCRIPTION

- Any maintenance or service not specified in this manual must be performed by a qualified gunsmith using genuine WALTHER parts.
- Use genuine Walther parts.
- Improper or unauthorized adjustment of any component may affect the safety and reliability of the firearm and may cause serious injury or death.

DISCLAIMER OF LIABILITY

The first concern when handling any firearm is safety. There is always a risk of inadvertent property damage, serious bodily injury or even death. WALTHER disclaims any and all liability for damage arising from use of this firearm that is improper and contravenes statutory regulations. The same applies for damage arising from failure to follow the instructions in this manual, unauthorized replacement of parts or any other modification to the pistol not expressly provided for in this manual.

2 PRODUCT DESCRIPTION

2.1 Functional Description

The WALTHER Q5 Match SF semi-automatic pistol operates on the short recoil, locked-breech system.

When the trigger is squeezed, the striker is released and strikes the primer in the cartridge. The primer explodes and ignites the powder, which produces rapidly expanding gases that propel the projectile down the bore of the barrel and out of the barrel. When the pistol is discharged the recoil drives slide and barrel to the rear at once. At this point the barrel and slide are locked together. However, after a brief interval of movement, the barrel is unlocked from the slide and drawn downward by the camming action beneath the chamber end of the barrel, and stops all rearward motion of the barrel. The slide continues to the rear, extracting the fired cartridge case from the chamber and ejecting it to the right.

Once the slide has moved to its rearmost position in the firing cycle, the recoil spring brings the slide forward again, stripping a new round from the magazine and feeding it into the chamber, followed by the cocking of the striker, and the locking of the barrel to the slide. After firing, the trigger must be released to fully cycle the lockwork. The operation cycle is completed with barrel, slide and trigger back in the starting position.

The trigger may be squeezed again to fire the next shot until the slide stays open on an empty magazine.

2.2 Package Contents

- Pistol in plastic case
- Test Target
- Hexagonal Wrench size 1.5 mm / 2.5 mm
- 2 pcs. Hex Socket Screw M3x6
- 2 pcs. Spare Magazine
- Instruction Manual
- Screwdriver
- Magazine Loader



NOTE: Actual package contents may differ from description in Instruction Manual.

EN

DE

FR

ES

IT

TU

Q5 MATCH SF

2 PRODUCT DESCRIPTION

2.3 Ammunition

WARNING

Never use ammunition not specifically designated for use in your weapon. Failure to use the specific cartridge intended for use in the Q5 Match SF pistol may cause the pistol to jam, fail to fire or even generate excessive gas pressure which can damage or destroy the pistol, cause personal injury, death or property damage.

Locate the caliber designation marked on the pistol. This information indicates the ammunition specifically intended for use in the pistol (see 2.3. Figure 1).

Use only ammunition corresponding to the caliber of the weapon and which conforms to the provisions of C.I.P. or SAAMI. Check your ammunition before shooting it. Use ammunition in prime condition. A firearm and ammunition are a system and must work together. Their performance is closely related. Different combinations of bullet velocity, bullet weight and firearm weight can have major impact on felt recoil; high felt recoil can be uncomfortable to some shooters.



2.3 Figure 1

For example:

- Gun Weight: lower gun weight increases felt recoil.
- Bullet Weight: higher bullet weight increases felt recoil.
- Bullet Velocity: higher bullet velocity increases felt recoil.

To adjust yourself to higher levels of felt recoil, consider the following:

- Use a firm two-hand hold on the grip when firing.
- Always begin your shooting experience with the lowest bullet velocity and lowest bullet weight available for your firearm.
- Ask your firearm dealer to suggest the lowest power, lowest velocity, lightest bullet weight for your firearm.

2 PRODUCT DESCRIPTION

2.4 Functional Elements



- 1 Slide
- 2 Front Sight
- 3 Take Down Lever
- 4 Barrel
- 5 Slide Stop Notch
- 6 Slide Serrations
- 7 Slide Stop Lever
- 8 Rear Sight
- 9 Grip Panel
- 10 Magazine
- 11 Grip
- 12 Magazine Release (reversible)
- 13 Trigger
- 14 Trigger Guard
- 15 Frame
- 16 Accessory Rail

EN
DE
FR
ES
TU

Pistol shown with slide locked back

- 17 Recoil Guide Rod
- 18 Muzzle
- 19 Model



- 20 Serial Number
- 21 Slide End Cap
- 22 Ejection Port
- 23 Extractor (Loaded Chamber Indicator)

Q5 MATCH SF

2 PRODUCT DESCRIPTION

2.4.1 Loaded Chamber Indicator

The loaded chamber indicator is on the right side of the slide. The loaded chamber indicator can be observed when the rear of the extractor is recessed, revealing a red colored marking (2.4.1 Figure 1).



2.4.1 Figure 1

⚠ WARNING

Allways treat every firearm as if it were loaded and ready to fire if the trigger is squeezed. Do not rely upon the loaded chamber indicator to verify the presence or absence of a round in the chamber. The surest method to determine the presence or absence of ammunition is to check the chamber of the firearm by removing the magazine and locking the slide in the open position.

The amount of light, cleanliness of the pistol, and other factors may limit the effectiveness of the loaded chamber indicator. Cleaning solvents or wear may darken or remove the red color, or powder residue or dirt may cover it up. If you do not see the red dot, do not assume the chamber is empty. After first checking that the magazine has been removed, pull the slide back until you can look into the chamber and verify whether it is empty or not.

2.4.2 Magazine Release

The magazine release is on the side of the grip.

Removing the magazine:

Grasp the pistol with your finger off the trigger and outside the trigger guard. Depress the magazine release and remove the magazine from the pistol (2.4.2 Figure 1).



2.4.2 Figure 1

2.4.3 Slide Stop

Locking the slide in the "open" position:

Grasping the grip of the frame and with your finger off the trigger and outside the trigger guard, depress the magazine release, and completely remove the magazine. Firmly grasp the serrated sides of the slide from the rear with the thumb and fingers. While steadily holding the grip, briskly pull the slide fully rearward to extract any cartridge from the chamber and clear it from the pistol. To lock the slide in the open position, allow



2.4.3 Figure 1

2 PRODUCT DESCRIPTION

the slide to move slightly forward from the rearmost position while pressing upward on the slide stop (2.4.3 Figure 1).

Releasing the slide from the slide stop:

Press down on the slide stop with the thumb of your shooting hand to release the slide and allow it to move fully forward.

For easier operation of the slide stop grasp the serrated sides of the slide from the rear and pull the slide to the rear while pressing down on the slide stop to release the slide and allow it to move fully forward.

2.4.4 Magazine

When the magazine is removed from the magazine well in the grip, the number of rounds can be seen in the witness holes (2.4.4 Figure 1).



2.4.4 Figure 1

EN

DE

FR

ES

IT

TU

Q5 MATCH SF

3 HANDLING THE PISTOL

3 HANDLING THE PISTOL

3.1 Inspecting the Pistol

- When you inspect the pistol, you should first check to ensure that it is unloaded. To do this, grasp the grip of the frame with your finger off the trigger and outside the trigger guard, point the muzzle in a safe direction, depress the magazine release and remove the magazine (3.1 Figure 1).
- Grasp the serrated sides of the slide from the rear with the thumb and fingers as shown in 3.1 Figure 2, and briskly draw the slide fully rearward in order to extract any cartridge from the chamber and clear it from the pistol. Do not obstruct the ejection port because doing so can interfere with the proper ejection of a cartridge.
- Lock the slide in the open position by allowing the slide to move slightly forward from the rearmost position while pressing upward on the slide stop (3.1 Figure 3).
- Check the chamber to verify that it is unloaded and check the bore visually that it is clean, dry, and free from any obstructions (3.1 Figure 4).

You must follow this procedure every time the Q5 Match SF leaves your hand, is cleaned, handed to you or another person, transported or stored.



3.1 Figure 1



3.1 Figure 2



3.1 Figure 3



3.1 Figure 4



WARNING

Never rely on mechanical features alone. Your proper handling of the pistol will ensure the safety of your firearm. Firearm Safety is always your responsibility.

3 HANDLING THE PISTOL

3.2 Loading

3.2.1 Magazine

When the magazine is removed from the magazine well in the grip, the number of rounds can be seen in the witness holes.

CAUTION

WALTHER has provided you with a magazine designed to operate in your specified model of pistol. While your magazine may be able to be inserted into another model pistol, it will only function properly in the specific model for which it was designed. Do not interchange magazines from one model pistol to another model pistol. Failure to use the particular type of WALTHER magazine specified for your model and caliber of pistol may result in a malfunction or may damage your pistol and magazine.



3.2.1 Figure 1

WARNING

Do not attempt to load the magazine with more than the specified number of cartridges because doing so may cause a failure to feed a round of ammunition into the chamber. Do not use excessive force when loading the magazine, as this may damage the magazine. Damaged or defective magazines cause malfunctions and may cause improper functioning of the pistol.

Load the magazine by pressing a cartridge base (rear of cartridge) downward on the forward portion of the magazine follower (or downward on the case of a previously loaded cartridge) and sliding the cartridge fully under the lips of the magazine until the cartridge base is against the rear wall of the magazine. Repeat the procedure for the number of cartridges you wish to load, up to the magazine capacity (3.2.1 Figure 2).

Loading may be made easier with the aid of the WALTHER Magazine Loader: Put the magazine loader with its long wall oriented to the rear on top of the magazine (3.2.1 Figure 3). Press down the magazine loader and insert a cartridge with your other hand (3.2.1 Figure 4). Let the magazine loader go up again. Push in the cartridge completely with your hand (3.2.1 Figure 5). Repeat the procedure for the number of cartridges you wish to load, up to the magazine capacity.



3.2.1 Figure 2



3.2.1 Figure 3



3.2.1 Figure 4



3.2.1 Figure 5

EN

DE

FR

ES

TU

Q5 MATCH SF

3 HANDLING THE PISTOL

3.2.2 Loading the Pistol

- Inspect the pistol as shown in section 3.1.
- Grasp the pistol with your finger off the trigger and outside the trigger guard, point the muzzle in a safe direction. Insert the loaded magazine into the magazine well of the pistol until it is locked in place. To make sure that the magazine is fully and securely inserted, try pulling down on the exposed portion of the magazine floorplate. It should not move.
- Pull the slide fully to the rear and let go allowing it to move fully forward.

CAUTION

Always load a round into the chamber by feeding it from the magazine. Never attempt to load the pistol by inserting a round into the chamber via the open ejection port. Failure to follow this warning may result in severe injury or death to you or others.

WARNING

THE PISTOL IS NOW LOADED AND READY TO FIRE. The pistol and its magazine are now loaded and will fire when the trigger is squeezed. Remember to keep the muzzle pointed in a safe direction under all conditions and always keep your finger or any other object off the trigger and outside the trigger guard until you decide to fire the pistol. Never leave a loaded firearm unattended or out of your direct control.

3.3 Firing

- Keep the muzzle pointed in a safe direction and your finger off the trigger and outside the trigger guard until you are ready to fire.
- How a handgun is gripped affects recoil and trigger control. Always ensure that you maintain a firm grip and proper alignment of the pistol. The design of the Q5 Match SF frame offers a high degree of control permitting the shooter to obtain an elevated grip closer to the pistol's bore axis.
- With a firm grip, allow your finger to be placed squarely across the face of the trigger. Squeeze the trigger fully to the rear. As the trigger is drawn fully to the rear, the striker is released, striking the cartridge primer. Upon firing, the slide moves rearward thereby extracting and ejecting the spent cartridge case. The slide then returns forward feeding the next cartridge from the magazine into the chamber.
- After firing you must allow the trigger to move fully forward before you can fire the next shot. Keep your finger off the trigger and outside the trigger guard until you are ready to fire again. This sequence can be repeated until the last round has been fired.
- Once the last round has been fired, the magazine follower exerts upward pressure on the slide stop causing it to engage the slide and to hold it in the "open" position.

3 HANDLING THE PISTOL

CAUTION

Wear adequate and proper hearing protection and safety glasses specified for firearm use. Upon firing the pistol or releasing the slide from its stop, the slide moves with significant force and speed. To avoid injury, be attentive to the moving slide so as to not make contact with any part of your body.

3.4 Exchanging empty Magazines

Once the last round has been fired, the magazine follower exerts upward pressure on the slide stop causing it to engage the slide stop notch thereby holding it in the “open” position.

- Depress the magazine release and remove the magazine.
- To continue shooting, insert another loaded magazine.
- Pull the slide fully to the rear, let it go and allow it to run fully forward.

WARNING

The pistol is ready to fire. With the muzzle still pointing in a safe direction, keep your trigger finger off the trigger and outside the trigger guard until ready to fire.

3.5 Unloading the Pistol

- Point the muzzle in a safe direction. Make sure your finger is off the trigger and out of the trigger guard. Depress the magazine release and remove the magazine (3.5 Figure 1).
- Grasp the serrated sides of the slide from the rear with the thumb and fingers (3.5 Figure 2), and briskly draw the slide fully rearward in order to extract any cartridge from the chamber and clear it from the pistol. Do not obstruct the ejection port because doing so can interfere with proper ejection of a cartridge.
- Lock the slide in the open position by allowing the slide to move slightly forward from the rearmost position while pressing upward on the slide stop (3.5 Figure 3).



3.5 Figure 1



3.5 Figure 2



3.5 Figure 3

EN

DE

FR

ES

TU

Q5 MATCH SF

3 HANDLING THE PISTOL

- Visually check the barrel chamber to be sure it is empty (3.5 Figure 4). Look into the chamber and down through the magazine well. Verify that no ammunition remains in the pistol.
- Unload the magazine by holding it with the bullet end of the cartridge pointing away from you and pressing each cartridge forward and out of the magazine.



3.5 Figure 4

⚠ WARNING

Also remember that any time you release the slide while a magazine containing cartridges is in the pistol, you will have chambered a new round in the pistol. The pistol will be ready to fire.

3.6 Clearing Misfires

- If a cartridge fails to fire, wait ten seconds while keeping the muzzle pointed in a safe direction.
- Follow the procedure as described in section “3.5 Unloading the Pistol”.
- Check the barrel chamber and bore visually for any obstructions. You must be certain there are no cartridges in the chamber or obstructions in the barrel. If there are any obstructions in the bore of the barrel have the pistol further examined and repaired by a qualified gunsmith before using again.

4 FIELD-STRIPPING, CLEANING, LUBRICATION, AND MAINTENANCE



CAUTION

Check that the pistol is unloaded (magazine removed from pistol and chamber clear). Also ensure that the magazine is unloaded.

4.1 Main Components



WARNING

To complete disassembly, you will be required to pull the trigger. If you have failed to properly unload your pistol and a live round is left in the chamber, the pistol will discharge and may cause serious injury or death to yourself or others and damage to property. Therefore, you must visually inspect the chamber and magazine well (opening) to ensure that they are empty before pulling the trigger.

4.1.1 Field-Stripping Disassembly

- Remove the magazine and unload the pistol. Lock the slide in the open position. Look into the chamber and down through the magazine well. Verify that no ammunition remains in the pistol.
- Rotate the take down lever clockwise upwards until it stops (4.1.1 Figure 1).
- Pull the slide slightly to the rear. Slowly release the slide, allowing it to return to forward position.
- Point the pistol in a safe direction. Squeeze the trigger fully to the rear.
- Keep your finger off the trigger and outside the trigger guard.
- Move the slide forward, and remove it from the frame.
- Remove the recoil guide rod assembly from below the barrel while taking up the spring pressure (4.1.1 Fig. 2).
- Remove the barrel from the slide.
- The main components of the pistol are shown in 4.1.1 Figure 3.



4.1.1 Figure 1



4.1.1 Figure 2



4.1.1 Figure 3

Q5 MATCH SF

4 FIELD-STRIPPING, CLEANING, LUBRICATION, AND MAINTENANCE

4.1.2 Field-Stripping Reassembly

- Hold the slide upside-down. Place the barrel inside the slide with the locking lugs oriented as shown in 4.1.2 Figure 1.
- Insert the recoil guide rod assembly: Place the smaller end of the recoil rod into the spring mounting at the front of the slide, and then insert the large end of the recoil guide rod into the lower barrel recess, while taking up the spring pressure (4.1.2 Figure 1 and 2).
- Push the slide from the front into the slide guides of the frame (4.1.2 Figure 3).
- Pull the slide back until it is fully rearward, press upward on the slide stop lever while letting the slide move slightly forward thereby locking the slide open.
- Rotate the take down lever anti clockwise downwards until it stops.
- Pull the slide fully to the rear and guide the slide forward to its closed position.



4.1.2 Figure 1



4.1.2 Figure 2



4.1.2 Figure 3

4.2 Striker Assembly

4.2.1 Remove Striker Assembly

- Field strip the pistol following the field stripping instructions in section 4.1.1.
- Place the muzzle end of the slide on a smooth, flat surface. Grasp the slide at the rear slide serrations, push in the pin through the square opening located at the top right side of the slide end cap using a 2 mm drift punch (4.2.1 Fig. 1) and remove the slide end cap by sliding it downwards (4.2.1 Fig. 2).
- Remove the striker assembly from the slide (4.2.1 Fig. 3).



4.2.1 Figure 1



4.2.1 Figure 2



4.2.1 Figure 3

4.2.2 Install Striker Assembly

- Insert Striker Assembly (4.2.2 Fig. 1).
- Using the slide end cap, press the striker assembly into the slide and reinsert the slide end cap from the bottom of the slide until it snaps in place (4.2.2 Fig. 2).



4.2.2 Figure 1



4.2.2 Figure 2

4.3 Extractor



NOTE:

The striker interferes with the striker safety. If you want to remove the striker safety, first remove the striker assembly as described in section 4.2, and then continue with the extractor and the striker safety.

4.3.1 Remove Extractor



WARNING

Wear safety glasses, and while you remove the extractor, be sure to control the striker safety and the extractor plunger so that they do not fly out.

- Place the slide upside down with the muzzle facing to the left.
- Use a 2 mm drift punch to force the extractor pin into the slide against the spring force (4.3.1 Fig. 1) until the rear end of the extractor pops out. Remove the drift punch.
- Cover the striker safety and the extractor plunger with a finger while you pivot the extractor out. Remove the striker safety assembly and the extractor plunger assembly from the slide (4.3.1 Fig. 2).
- Do not remove the extractor spring from its seat inside the extractor slot. The extractor spring has on one side an end coil of larger diameter which secures it from falling out.



4.3.1 Figure 1



4.3.1 Figure 2

EN

DE

FR

ES

TU

Q5 MATCH SF

4 FIELD-STRIPPING, CLEANING, LUBRICATION, AND MAINTENANCE

4.3.2 Install Extractor

- Place the slide upside down with the muzzle facing to the left.
- Insert the extractor plunger assembly into the slide with its spring first.
- Secure the safety plunger's spring in the hole of the plunger by putting a little gun lube on the spring. Do not use any grease when trying to keep the spring from falling out! Insert the striker safety assembly into the slide with its spring first. Ensure the striker safety spring enters the deepest part of its blind hole. When inserted correctly, the safety should be slightly below the feed rib next to it (4.3.2 Fig. 1).
- Align the rear end of the extractor to the extractor slot and press it towards the slide with the thumb of your other hand. Push down the extractor plunger with a 2 mm drift punch and press in the extractor until they hold each other without pressing in the extractor completely. Remove the drift punch, while the eyelet of the extractor holds down the extractor plunger (4.3.2 Fig 2).
- Hold the safety plunger down flush with the surface of the slide. Press in the extractor completely until the plunger snaps into the hole of the extractor (4.3.2 Fig. 3).
- Follow the instructions in section 4.2.2 to install the striker assembly.



4.3.2 Figure 1



4.3.2 Figure 2



4.3.2 Figure 3

4.4 Magazine

4.4.1 Disassembly

⚠ WARNING

The magazine spring is under pressure. Use caution when stripping down the magazine. Control the floorplate catch and the magazine spring while you remove the floorplate so that they do not fly out and cause injury.

4 FIELD-STRIPPING, CLEANING, LUBRICATION, AND MAINTENANCE

1. Using a 4 mm drift punch, depress the floorplate catch through the hole in the floorplate (4.4.1. Figure 1).



4.4.1 Figure 1

Magazine with extension:

While the floorplate is fully seated to the rear of the magazine insert a flat bladed screwdriver in the slot of the metal tab and push the tab towards the top of the magazine until the tab protrudes from the base of the magazine (4.4.1. Figure 2).

2. Slide the floorplate forward off of the magazine tube while continuing to depress the floorplate catch in the tube.
3. Remove the floorplate catch and spring carefully from the magazine tube through the bottom of the tube.
4. Turn the tube right side up and remove the follower through the bottom of the tube.



4.4.1 Figure 2

4.4.2 Assembly

1. Install the follower and magazine spring plus floorplate catch in reverse order back into the tube in exactly the same orientation as they were in when they were first removed during disassembly (4.4.2 Figure 1 and 2). Never use excessive force when assembling the magazine.
2. While holding the floorplate catch in the tube, slide the floorplate onto the tube so that the round projection of the floorplate catch engages the hole in the floorplate. There will be an audible “snap” heard.



4.4.2 Figure 1



4.4.2 Figure 2

Magazine with extension:

Hold the tab flush with magazine body while sliding the floorplate on the tracks fully to the rear. Push the tab into the correct seating.

EN

DE

FR

ES

TU

Q5 MATCH SF

4 FIELD-STRIPPING, CLEANING, LUBRICATION, AND MAINTENANCE

4.5 Recoil guide rod assembly

- It is not necessary to dismantle the recoil guide rod assembly when maintaining the pistol, and this should be avoided.
- The recoil guide rod assembly is under enormous spring tension. Dismantling requires considerable strength and skill. Exercise special care.

4.5.1 Dismantling the recoil guide rod assembly



WARNING

Use protective eyewear.

- Place the large end of the recoil guide rod on a non-slip surface.



CAUTION

Considerable force required.

- Place a 10 mm open-ended wrench or similar tool roughly between the second and third spring coil and push the spring down as far as it will go (4.5.1 Fig. 1).
- Take hold of the C-shaped locking ring and push it down to the narrow part of the guide rod. Remove the ring sideways, overcoming a slight resistance. Do not use force as this could damage the locking ring (4.5.1 Fig. 2).
- Set the ring aside and allow the spring to move slowly upwards. Hold your thumb over the small end of the guide rod so the spring does not fly off. Caution: Strong spring force! Grasp the spring with both hands and twist the ends in opposite directions to widen the coil, while pulling them apart so that the spring comes off at the small end of the rod. Then pull the spring from the rod.



4.5.1 Figure 1



4.5.1 Figure 2



4.5.1 Figure 3

4.5.2 Assembling the recoil guide rod and spring



WARNING

Use protective eyewear.

- Place the large end of the recoil guide rod on a non-slip surface. With your hand, push the end of the recoil spring all the way down on the guide rod.
- Using a 10 mm open-ended wrench or similar tool, compress the spring in several small steps until you have pushed the top past the end of the rod.
- Holding the end of the spring with your thumb, place the wrench roughly between the second and third spring coil. Push the spring all the way down with the wrench.
- Take hold of the C-shaped locking ring and push it sideways onto the narrow part of the guide rod, overcoming a slight resistance. Do not use force as this could damage the ring.
- Then slowly release the spring and remove the wrench.

4.6 Cleaning the Pistol



WARNING

Check that the pistol is unloaded (magazine removed from pistol and chamber clear). Also ensure that the magazine is unloaded.

After each use of the pistol or after being subjected to extreme weather conditions, the pistol should be cleaned and lubricated. Also, before using the pistol for the first time, it should be examined and cleaned. The pistol has been treated with either a preservative or oil to protect it against corrosion. Before using it, all excess oil should be wiped from the bore, chamber, and exposed areas using a clean swab or patch.

Field-strip the pistol as previously described. Starting with the barrel and from chamber end, insert a brush through the bore of the barrel until the bristles completely exit at muzzle end. Pull the brush back until the bristles completely exit at chamber end. Use a good powder-removing solvent and brass bristle bore brush to remove lead and firing residue from the interior of the barrel. Wipe the areas clean with patches or a swab.

Using a small brush dipped in solvent, remove all deposits from around the breech face, chamber end of the barrel, extractor and adjacent areas which have been exposed to powder or primer residue. Remove any residue on the frame with light brushing and a solvent. After cleaning, apply a light film of high quality gun lubricant to all external metal surfaces and wipe clean.

If the pistol will be used or stored in a cold climate, be sure to use appropriate lubricant that will not congeal at low temperatures.

EN

DE

FR

ES

TU

Q5 MATCH SF

4 FIELD-STRIPPING, CLEANING, LUBRICATION, AND MAINTENANCE



4.7 Figure 1

CAUTION

Always follow the instructions provided with the gun cleaner and gun lubricant. Some cleaners can cause damage to the pistol. You should avoid prolonged solvent immersion and prolonged ultrasonic cleaning of the pistol (maximum temperature for ultrasonic cleaning: 50 °C (122 °F)).

Choice of solvent should be restricted to those products specifically developed for firearms maintenance. Damage to a firearm's finish may occur if these warnings are ignored.

Ammonia based solvents or other strong alkaline solvents, should not be used on any WALTHER firearm.

4.7 Lubrication

After cleaning the entire pistol, use a cloth to apply a light film of high quality gun lubricant to all external metal surfaces and wipe clean.

Do not over-lubricate the pistol to the extent where lubricant will be dripping or running down the handgun. Excess lubricant can attract dirt, unburned powder and carbon residue, which can interfere with proper functioning of the pistol. Do not put any gun lubricant into the striker channel (4.7 Figure 1).

- **Barrel:**
Use a cloth to apply a light film of high quality gun lubricant to all external surfaces and the ramp where the locking block cams the barrel (A, B).
- **Frame:**
Put only one drop of lubricant on the slide guides (C), and on the trigger bar (D).

5 ADJUSTING THE PISTOL TO ITS USER

- Slide:
Put only one drop of lubricant on the safety plunger (E) and the disconnecter cut (F).
- Magazine:
Apply a light film of high quality gun lubricant to all external metal surfaces.

4.8 Maintenance before Storing

Obey all laws and regulations relating to the storage of firearms. You must familiarize yourself with all local, state, and federal laws regarding the safe storage of firearms and ammunition. When storing the pistol, do not encase the firearm in anything that will attract or hold moisture, such as leather or heavy cloth. If the firearm is to be stored for an extended period, the bore, chamber and internal working mechanism should be lubricated with a high quality lubricant or preservative intended for firearms. The external working mechanisms, slide, barrel, and magazine should be coated with anti-corrosion lubrication.

Before using the pistol again, be sure to clean it. Every time you clean the firearm, check it for signs of wear. If wear is noted, do not use the firearm. Return it to WALTHER for service or have it checked by a qualified gunsmith.

5 ADJUSTING THE PISTOL TO ITS USER

5.1 Magazine Release

The magazine release is reversible. In case you wish to reverse it, a 1 mm drift and a small screwdriver (2.5 mm) is needed to do so.

1. Keep the magazine release pressed. By doing so, the magazine release moves out on the opposite side, revealing a small hole on its rearward facing end. Insert a 1 mm drift into the hole as far as it will go (5.1 Figure 1).
2. Press in the drift. This will disengage the latch of the magazine release keeper (the individual parts are shown in 5.1 Figure 2).
3. Use a 2.5 mm screwdriver to lift the keeper upwards and out (5.1 Figure 3). In case the keeper does not come out, try lifting the keeper with the screwdriver while pressing in the drift.



5.1 Figure 1



5.1 Figure 2



5.1 Figure 3

Q5 MATCH SF

5 ADJUSTING THE PISTOL TO ITS USER

4. Remove the magazine release (5.1 Figure 4) and the compression spring from the opposite side.
5. Insert the compression spring on the side you wish to have the magazine release from now on (5.1 Figure 5).
6. Insert the magazine release from the same side as the compression spring was previously (5.1 Figure 6).
7. While pressing the magazine release, insert the keeper from the opposite side. Press in the keeper until an audible “snap” is heard (5.1 Figure 7 and 8).



5.1 Figure 4



5.1 Figure 5



5.1 Figure 6



5.1 Figure 7



5.1 Figure 8

5.2 Changing the Grip Panels

Remove the screws from the grip panel with a 2 mm hexagonal wrench (5.2 Fig. 1). Pull the grip backwards from the frame (5.2 Fig. 2).

Before replacing the grip panel, make sure that the four magazine guides are in the frame again (5.2 Fig. 3). Push the grip panel onto the frame from behind. Tighten the screws with 0.6 Nm.



5.2 Figure 1



5.2 Figure 2



5.2 Figure 3

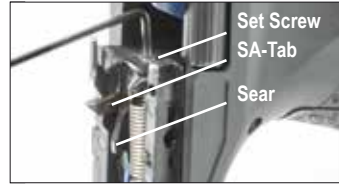
5 ADJUSTING THE PISTOL TO ITS USER

5.3 Trigger Break (Champion)

Your Q5 trigger has been skillfully calibrated combining reliability with a crisp break.

Note: Handling firearms and trigger adjustments in particular may increase the risk of inadvertent property damage, serious bodily injury, and/or even death. WALTHER disclaims any and all liability for damage arising from the use of this firearm or caused by improper trigger adjustments. Adjustments, maintenance, or service must be performed by WALTHER or a qualified gunsmith. In order to adjust the trigger break on your Q5 trigger a qualified gunsmith will first need to field strip the pistol following the field stripping instructions in section 4.1.1.

Holding the pistol frame's grip in the weak hand and with the frame's front end pointing away from the body, turn the set screw counter clockwise using the 1.5 mm hexagonal wrench provided. Stop as soon as the set screw is level with the magazine well's rear wall (5.3 Fig. 1).



5.3 Figure 1



5.3 Figure 2



NOTE: Do not remove the set screw.

The next step is to find the sear's break point: Use the hexagonal wrench from step 1 to turn the set screw clockwise while applying light forward pressure on the sear with your weak hand thumb toward the magazine well and downward into the sear housing assembly (5.3 Fig. 2). At the break point the sear's front end will drop, causing the SA-Tab to rotate rearward at the same time.

At this point remove your thumb from the sear and turn the set screw approximately $\frac{1}{4}$ turn counter clockwise. Check the sear again. When pushed down the sear must come to a positive stop and the SA-Tab must remain still. If this condition is not reached yet, turn the set screw another $\frac{1}{4}$ turn counter clockwise and check the sear again. Continue this process until the sear comes to a positive stop and the SA-Tab remains still.

After the above condition has been achieved the last step is to turn the set screw $\frac{3}{4}$ counter clockwise and reassemble the firearm.

Follow the field stripping reassembly instructions in section 4.1.2. Please remember to use snap caps when testing trigger break.



NOTE: Light sear engagement will cause the striker to fall early and may cause the risk of firing more than one round. Heavy sear engagement reduces the risk of firing more than one round, but the trigger may have creep.

EN

DE

FR

ES

TU

Q5 MATCH SF

5 ADJUSTING THE PISTOL TO ITS USER

5.4 Sights

The front and rear sight are replaceable. The point of impact is adjustable for windage and elevation. The dovetail cut for the rear sight is a 12mm x 2mm x 70° LPA cut. The height of the front sight is 5.3 mm.



5.4 1

The following accessory items are included in the pistol case to carry out the adjustment of the rear sight or to replace the mount base (5.4 Fig. 1):

- Hexagonal Wrench 1.5 mm
- Hexagonal Wrench 2.5 mm
- 2 pcs. Hex Socket Screw M3x6
- Screwdriver

WARNING

Check that the pistol is unloaded (magazine removed from pistol and chamber clear). Also ensure that the magazine is unloaded.

5.4.1 Front Sight

Field-strip the pistol as described in section 4.1.1. Remove the front sight screw using a screwdriver (5.4.1 Fig. 1) and press the front sight upwards and out.

Assembly is in reverse order. Lightly tighten the front sight screw. Remember to make sure the screw and the thread inside the front sight are free of oil or grease. The thread of the front sight screw should be secured using industrial adhesive (for example Loctite 648). To tighten the front sight screw apply a torque of 1 Nm.



5.4.1 Figure 1

5.4.2 Rear Sight

Field-strip the pistol as described in section 4.1.1.

WINDAGE

If shots group to the left, turn the rear sight windage screw clockwise, if they group to the right, turn the windage screw counter clockwise. Use the smallest blade of the screw driver provided to do so (5.4.2 Fig. 1).

Adjustment by one click moves the point of impact approximately 5 mm at a distance of 25 m.

5 ADJUSTING THE PISTOL TO ITS USER

ELEVATION

If shots group high, turn the rear sight elevation clockwise, if they group low, turn the elevation screw counter clockwise. Use the largest blade of the screw driver provided to do so (5.4.2 Fig. 2).

Adjustment by one click moves the point of impact approximately 10 mm at a distance of 25 m.

REPLACING THE REAR SIGHT

Field-strip the pistol as described in section 4.1.1. Loosen both set screws using the smaller of the two hexagonal wrenches provided (size 1.5 mm, 5.4.2 Fig 3) and slide the rear sight sideways and off the mount base (5.4.2 Fig. 4).

Install in reverse order. Remember to make sure the set screws and the threads inside the rear sight are free of oil or grease. The threads of the set screws should be secured using industrial adhesive (for example Loctite 648). Lightly tighten the set screws (torque approximately 0.6 Nm).

In case of any after market rear sight to be installed, please follow the specific instructions provided with this rear sight.



5.4.2 Figure 1



5.4.2 Figure 2



5.4.2 Figure 3



5.4.2 Figure 4

EN

DE

FR

ES

PT

TU

Q5 MATCH SF

5 ADJUSTING THE PISTOL TO ITS USER

5.4.3 Replacing the Mount Base

A variety of reflex sight mount bases are available as an accessory item. They will accept Docter (01), Trijicon sights (02), and Leupold or DeltaPoint (04). The mount bases are marked accordingly.

Field-strip the pistol as described in section 4.1.1. Then remove both hex socket screws using the larger of the two hexagonal wrenches provided (size 2.5 mm, 5.4.3 Fig. 1) and remove the mount base from the slide.



5.4.3 Figure 1



5.4.3 Figure 2



NOTE:

Do not mix the two hex socket screws with screws that come with other sights. The screws to secure the mount bases are metric screws, M3x6. Two spare screws are included in the pistol case (5.4.3 Fig. 2). The pre-applied blue thread locker is to secure the hex screws in place while shooting your Q5 Match SF pistol.

Place the new mount base on top of the slide with the markings facing down. Keep pulling the mount base toward its front stop (toward muzzle end of the slide) while tightening the hex socket screws (5.4.3 Fig. 3). Tighten both hex screws (apply a torque of approximately 2 Nm).

Install your after market sight following the instructions provided with this sight (5.4.3 Fig. 4).



5.4.3 Figure 3



5.4.3 Figure 4

6 TECHNICAL SPECIFICATIONS

6 TECHNICAL SPECIFICATIONS

Caliber	9 mm x 19
Magazine Capacity (min.)	15 rounds ^{CDN}
Overall Dimensions (L/W/H) (min.)	220 / 36 / 137 mm
Barrel Length	127 mm (5")
Twist Rate	250 mm right hand twist
Rifling	Polygonal Rifling (hexagonal)
Sight Radius	181 mm
Width, Rear Sight Notch	3 mm
Width, Front Sight	2.9 mm
Height, Front Sight	5.3 mm
Weight, Pistol with empty Magazine	1160 g
Weight, empty Magazine	80 g
Muzzle Energy E₃	500 J
Bullet Weight	8 g
System of Operation	Short recoil operated, locked breech
System	Semi-automatic, striker fired pistol
Trigger Action	Quick Defense Trigger, pre-cocked
Trigger Pull / Travel	25 N / 9 mm (identical for every round)
Materials	Slide, barrel and frame: Tenifer®-treated carbon steel
Safety Devices	Trigger-, Striker-, Disconnect-Safety

Data based on average numbers. Actual numbers may vary.

^{CDN} Canada: Magazine capacity 10 rounds.

Tenifer® is a registered trademark of Durferrit GmbH, Germany.

EN

DE

FR

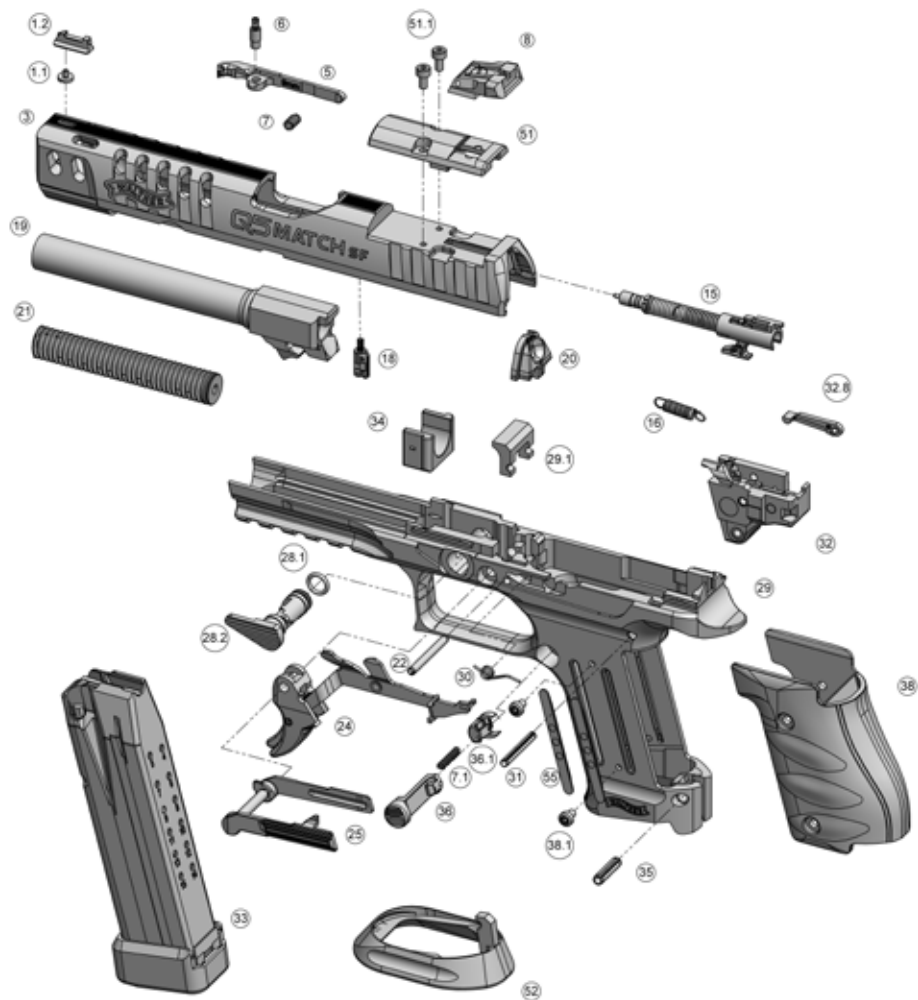
ES

TU

Q5 MATCH SF

7 EXPLODED DIAGRAM

7 EXPLODED DIAGRAM



8 PARTS LIST

8 PARTS LIST

No.	Designation	No.	Designation
1.1	Front sight screw	28.2	Take down lever
1.2	Front sight	29	Frame
3	Slide	29.1	Locking block
5	Extractor	30	Spring, slide stop lever
6	Extractor plunger assembly	31	Pin 3x24
7	Spring, extractor	32	Sear housing assembly
7.1	Spring, magazine release	32.8	Trigger bar guide
8	Rear sight	33	Magazine
15	Striker assembly	34	Insert
16	Trigger return spring	35	Pin 4x16
18	Striker safety assembly	36	Magazine release
19	Barrel	36.1	Magazine release clip
20	Slide end cap	38	Grip panel
21	Recoil guide rod assembly	38.1	Grip panel screw
22	Pin 3x28	51	Adapter plate for sight
24	Trigger assembly	51.1	Screw for adapter plate
25	Slide stop lever assembly	52	Magwell
28.1	O-ring, take down lever	55	Magazine guide

EN

DE

FR

ES

TU

Q5 MATCH SF

WALTHER

BEDIENUNGSANLEITUNG

PISTOLE Q5 MATCH SF

EN

DE

FR

ES

IT

TU



LESEN SIE DIE ANWEISUNGEN UND WARNUNGEN IN
DIESER ANLEITUNG SORGFÄLTIG, BEVOR SIE DIESE
SCHUSSWAFFE BENUTZEN.

STEEL FRAME

**Hinweis:**

Diese Bedienungsanleitung beschreibt die Bedienung der Pistole für zivile Anwender. Die Vorgaben für den behördlichen Einsatz der Pistole können von den Angaben in dieser Bedienungsanleitung abweichen.

In dieser Bedienungsanleitung wird von einer Lage der Pistole ausgegangen, die dem normalen Anschlag entspricht; d.h. mit horizontalem Lauf und mit nach unten weisendem Griff, wobei die Mündung nach vorne zeigt. Angaben, wie „oben“, „unten“, „rechts“, „links“ sowie „vorn“ und „hinten“ beziehen sich auf die Sicht eines die Pistole im Anschlag haltenden Schützen.

Die Erklärungen beziehen sich auf die Bedienung durch Rechtshänder. Linkshänder verfahren bitte in der für sie entsprechenden Weise.

Bitte beachten Sie: Die Abbildungen in dieser Bedienungsanleitung sind zur Erläuterung und können sich von den tatsächlichen Waffen unterscheiden.

INHALTSVERZEICHNIS

1 Sicherheitshinweise	4
2 Produktbeschreibung	5
2.1 Funktionsablauf	5
2.2 Lieferumfang	5
2.3 Munition	6
2.4 Bedien- und Funktionselemente	7
3 Bedienung	10
3.1 Überprüfung der Pistole	10
3.2 Laden	11
3.3 Schießen	12
3.4 Magazinwechsel	13
3.5 Entladen	13
3.6 Verhalten bei Versagern	14
4 Demontage, Reinigen, Ölen und Pflege	15
4.1 Hauptgruppen	15
4.2 Schlagbolzeneinheit	16
4.3 Auszieher	17
4.4 Magazin	18
4.5 Schießfedereinheit	20
4.6 Reinigen	21
4.7 Ölen	22
4.8 Vorbereitung zur Lagerung	23
5 Anpassung der Pistole an den Bediener	23
5.1 Magazinhalter	23
5.2 Griffschale wechseln	24
5.3 Abzug	25
5.4 Visierung	26
6 Technische Daten	29
7 Explosionsdarstellung	30
8 Teileliste	31

1 SICHERHEITSHINWEISE

- Lesen Sie diese Bedienungsanleitung vor Benutzung der Pistole gründlich durch. Benutzen Sie die Pistole erst dann, wenn Sie die Anleitung verstanden haben.
Jede Beschreibung von Pistolenteilen und alle Tätigkeiten sind im Allgemeinen nur einmal in dieser Bedienungsanleitung aufgeführt. Je nach Umfang wird deshalb ggf. auf bereits vorhandene Beschreibungen in anderen Kapiteln hingewiesen.
- Zur Durchführung der Sicherheitsüberprüfung und vor der Benutzung, bei Störungen und vor dem Reinigen ist zu prüfen, ob die Pistole entladen (Magazin aus der Pistole und Patronenlager frei), der Lauf frei von Fremdkörpern und das Magazin leer ist.
- Bewahren Sie die Pistole und Munition getrennt voneinander auf. Unbefugte (insbesondere Kinder) dürfen keinen Zugriff darauf erhalten.
- Gehen Sie auch mit der ungeladenen Pistole so um, als ob sie geladen wäre. Halten Sie die Pistole immer so, dass Sie sich und Andere nicht gefährden. Richten Sie die Pistole immer in eine sichere Richtung. Richten Sie die Pistole niemals auf Personen oder Ziele, die Sie nicht treffen möchten, unabhängig davon, ob die Pistole geladen ist oder nicht. Gehen Sie davon aus, dass auch die sicherste Pistole durch unsachgemäßen Umgang für Sie und Andere gefährlich werden kann.
- Beachten Sie: Keinen Finger am Abzug, außer zur gewollten Schussabgabe.
Der Abzugsfinger ist grundsätzlich außen am Abzugsbügel anzulegen. Der Abzug darf nur betätigt werden, wenn die Pistole auf das Ziel gerichtet ist.
- Wenden Sie bei der Bedienung, der Überprüfung, beim Zerlegen, Reinigen und beim Zusammenbau nie Gewalt an. Unsachgemäße Handhabung kann die Funktion und die Sicherheit der Pistole beeinträchtigen. Zerlegen Sie die Pistole nur so weit, wie in dieser Anleitung beschrieben.
- Sicherheit und Funktion sind nur gewährleistet, solange sich Pistole und Munition in technisch einwandfreiem Zustand befinden.
- Beachten Sie, dass die Pistole nach Einwirkung von außen, z.B. Korrosion, Herunterfallen, usw., durch eine qualifizierte Fachkraft überprüft werden muss.
- Tragen Sie beim Schießen immer Gehörschutz und Schutzbrille. Machen Sie Personen, die sich in Ihrer Nähe aufhalten, auf das Tragen von Gehörschutz und Schutzbrille aufmerksam.
- Ihre Schusswaffe ist für Munition eines speziellen Kalibers ausgelegt. Die richtige Bezeichnung der zu Ihrer Pistole passenden Munition ist auf der Waffe angegeben. Gebrauchen Sie nur Munition, die den Vorgaben der Commission Internationale Permanente pour l'Épreuve des Armes à Feu portatives (C.I.P.) oder des Sporting Arms and Ammunition Manufacturers Institute (SAAMI) und dem Kaliber der Schusswaffe entspricht. Besonders bei Verwendung von wiedergeladener Munition ist darauf zu achten, dass der nach Norm zulässige Gasdruck nicht überschritten wird. Überhöhter Druck kann eine Schusswaffe beschädigen oder sie sogar sprengen. Munition, deren Geschossgeschwindigkeit und Gasdruck höher sind als die Werte, für welche die Schusswaffe ausgelegt ist, setzt die Schusswaffe zusätzlicher Belastung aus, verursacht übermäßigen Verschleiß und kann zu schwerwiegenden Beschädigungen an der Schusswaffe führen.

2 PRODUKTBESCHREIBUNG

- Wischen Sie vor dem Laden immer jegliches überschüssiges Fett und Öl ab, und stellen Sie sicher, dass der Lauf sauber und frei von Fremdkörpern ist.
- Verwenden Sie ausschließlich original Walther-Zubehör.
- Instandsetzungs- und Servicearbeiten sind durch WALTHER oder eine qualifizierte Werkstatt auszuführen.
- Unsachgemäße Veränderungen können die Sicherheit und Zuverlässigkeit der Pistole beeinträchtigen und zu Verletzungen oder zum Tode führen.

HAFTUNGSAUSSCHLUSS

Beim Umgang mit Waffen ist stets besondere Vorsicht geboten. Es besteht stets die Gefahr, gegebenenfalls auch unbeabsichtigt, Leib und Leben von Personen oder Sachwerte zu beschädigen. WALTHER schließt jegliche Haftung für Schäden aus, die auf eine unsachgemäße oder gegen geltende gesetzliche Vorschriften verstoßende Verwendung der Pistole zurückzuführen sind. Dasselbe gilt für Schäden, die aus der Nichtbeachtung dieser Bedienungsanleitung, unbefugten Austausch von Einzelteilen oder sonstigen Eingriffen an der Pistole resultieren, die durch diese Bedienungsanleitung nicht ausdrücklich vorgesehen sind.

2 PRODUKTBESCHREIBUNG

2.1 Funktionsablauf

Das Verschlussystem der Q5 Match SF nutzt das Prinzip des verriegelten Rückstoßladers. Beim Zurückziehen des Abzugs wird das Schlagbolzenschloss ausgelöst. Der Schlagbolzen schlägt auf das Zündhütchen der Patrone und zündet die Treibladung. Das Geschoss wird durch den entstehenden Gasdruck aus dem Lauf getrieben. Gleichzeitig überträgt sich ein Impuls auf die mit dem Lauf formschlüssig verriegelte Verschlussgruppe. Nach einem kurzen gemeinsamen Rücklauf von Lauf und Verschluss wird die Verriegelung gelöst und der Lauf nach unten gesteuert. Der Lauf bleibt stehen, während der Verschluss gegen die Kraft der Schließfeder bis zum Anschlag zurückgleitet und die Hülse nach rechts auswirft. Angetrieben durch die Schließfeder führt der Verschluss während des dann folgenden Vorlaufs die oberste Patrone aus dem Magazin in das Patronenlager zu. Kurz vor Ende des Verschlussvorlaufs wird der abgekippte Lauf nach oben vorne gedrückt und im Auswurffenster des Verschlusses verriegelt. Der Schütze nimmt den Finger vom Abzug und die Pistole ist für den nächsten Schuss bereit.

2.2 Lieferumfang

- | | |
|--------------------------------------|-------------------------|
| • Pistole in Kunststoffbox | • 2 Stk. Reservemagazin |
| • Anschussbild | • Bedienungsanleitung |
| • Sechskantschlüssel SW1,5 und SW2,5 | • Schraubendreher |
| • 2 Stk. Innensechskantschraube M3x6 | • Ladehilfe |



Hinweis: Der Lieferumfang kann modellbedingt variieren.

2.3 Munition

⚠️ WARNUNG

Verwenden Sie nur die für Ihre Pistole passende Munition. Falsche Munition kann zu Funktionsstörungen, Zündversagern oder durch zu hohen Gasdruck zur Beschädigung oder Zerstörung Ihrer Pistole führen.

Auf der rechten Seite des Laufs ist die Bezeichnung der zu Ihrer Q5 Match SF passenden Munition angegeben (siehe 2.3 Abbildung 1).

Verwenden Sie nur Patronen, die dieser Munitionsbezeichnung entsprechen und deren Gasdruck den Vorgaben von C.I.P. oder SAAMI entspricht. Kontrollieren Sie die Munition vor Gebrauch. Verwenden Sie nur einwandfreie Munition. Pistole und Munition bilden ein System und müssen zueinander passen. Ihre Zuverlässigkeit hängt gegenseitig voneinander ab. Unterschiedliche Kombinationen aus Waffengewicht, Geschossgewicht und Geschossgeschwindigkeit wirken sich auf den gefühlten Rückstoß aus. Ein zu starker Rückstoß der Pistole kann sich für manche Schützen unangenehm anfühlen.



2.3 Abbildung 1

Beispiele:

- Waffengewicht: Bei geringerem Waffengewicht wird der Rückstoß als »kräftiger« empfunden.
- Geschossgewicht: Je schwerer das Geschoss, desto stärker der Rückstoß.
- Geschossgeschwindigkeit: Höhere Geschossgeschwindigkeit verstärkt den Rückstoß.

Um sich an einen stärkeren Rückstoß zu gewöhnen, können Sie folgendermaßen vorgehen:

- Halten Sie die Pistole beim Schießen im beidhändigen Anschlag.
- Beginnen Sie mit der für Ihre Pistole passenden Munition, mit geringem Geschossgewicht und niedriger Geschossgeschwindigkeit.
- Lassen Sie sich von Ihrem Fachhändler bezüglich schwächerer Munition, geringer Geschossgeschwindigkeit und leichtem Geschossgewicht für Ihre Pistole beraten.

2 PRODUKTBESCHREIBUNG

2.4 Bedien- und Funktionselemente



- EN
- DE
- FR
- ES
- TU

Abbildung zeigt Pistole mit geöffnetem Verschluss

- 17 Schließfederstange
- 18 Mündung
- 19 Modellbezeichnung



- 20 Seriennummer
- 21 Verschlusskappe
- 22 Auswurfenster
- 23 Auszieher (Geladenanzeige)

2.4.1 Geladenanzeige

Der Auszieher dient als Ladezustandsanzeige. Eine Farbmarkierung ist sichtbar, wenn sich eine Patrone oder Patronenhülse im Patronenlager befindet (2.4.1 Abb. 1).



2.4.1 Abbildung 1

⚠️ ACHTUNG

Verlassen Sie sich bei der Sicherheitskontrolle nicht ausschließlich auf die Geladenanzeige. Die zuverlässigste Methode zur Sicherheitskontrolle ist der Blick in das Patronenlager. Dazu nehmen Sie das Magazin aus der Pistole, ziehen den Verschluss bis zum Anschlag zurück, arretieren ihn mit dem Verschlussfanghebel und blicken in das Patronenlager. Gehen Sie mit jeder Waffe so um, als ob sie geladen wäre. Eine Geladenanzeige kann zwar einen Hinweis darauf geben, ob sich eine Patrone im Patronenlager befindet oder nicht, jedoch können Faktoren wie Lichtverhältnisse, Verschmutzung der Pistole oder andere Einflüsse das zuverlässige Erkennen einer Patrone erschweren.

2.4.2 Magazinhalter

Der Magazinhalter befindet sich seitlich am Griff.

Bedienung:

Die Finger befinden sich außerhalb des Abzugsbügels und berühren den Abzug nicht. Drücken Sie den Magazinhalter und entfernen Sie das Magazin (2.4.2 Abb. 1).



2.4.2 Abbildung 1

2.4.3 Fanghebel

Verschluss in geöffneten Stellung arretieren:

Die Finger befinden sich außerhalb des Abzugsbügels und berühren den Abzug nicht. Entfernen Sie das Magazin, dann greifen Sie den Verschluss von hinten an den Spannrielen und ziehen ihn kräftig bis zum Anschlag zurück. Falls sich eine Patrone im Patronenlager befindet, wird diese dabei aus dem Patronenlager ausgezogen und ausgeworfen.

Während Sie den Verschluss in der hintersten Stellung halten, schieben Sie den Fanghebel nach oben und lassen den Verschluss langsam vor, bis er vom Fanghebel gehalten wird (2.4.3 Abb. 1).



2.4.3 Abbildung 1

2 PRODUKTBESCHREIBUNG

Fanghebel auslösen:

Drücken Sie den Fanghebel mit dem Daumen der Schießhand nach unten, bis der Verschluss nach vorne schnell. Zur Erleichterung bei der Bedienung des Fanghebels mit dem Daumen kann der Verschluss zurückgezogen werden, während gleichzeitig der Fanghebel wie oben beschrieben betätigt wird.

2.4.4 Magazin

Anhand der Öffnungen im Magazingehäuse kann der Ladestand des Magazins erkannt werden (2.4.4 Abb. 1).



2.4.4 Abbildung 1

EN

DE

FR

ES

IT

TU

3 BEDIENUNG

3.1 Überprüfung der Pistole

- Vor der Überprüfung Ihrer Q5 Match SF kontrollieren Sie, ob die Pistole entladen ist: Zeigen Sie mit der Mündung in eine sichere Richtung. Die Finger befinden sich außerhalb des Abzugsbügels und berühren den Abzug nicht. Drücken Sie den Magazinhalter und entfernen Sie das Magazin (3.1 Abb. 1).
- Greifen Sie den Verschluss von hinten an den Spannrielen (3.1 Abb. 2) und ziehen Sie ihn kräftig bis zum Anschlag zurück. Falls sich eine Patrone im Patronenlager befindet, wird diese dabei aus dem Patronenlager ausgezogen und ausgeworfen. Verdecken Sie nicht das Auswurffenster, da die Patrone sonst nicht korrekt ausgeworfen wird.
- Arretieren Sie den Verschluss in der geöffneten Stellung: Während Sie den Verschluss in der hintersten Stellung halten, schieben Sie den Fanghebel nach oben und lassen den Verschluss langsam vor, bis er vom Fanghebel gehalten wird (3.1 Abb. 3).
- Stellen Sie sicher, dass Patronenlager (3.1 Abb. 4) und Lauf frei, trocken und sauber sind.



3.1 Abbildung 1



3.1 Abbildung 2



3.1 Abbildung 3

Führen Sie diese Überprüfung stets durch, bevor Sie Ihre Q5 Match SF aus der Hand legen, reinigen, an eine andere Person übergeben, transportieren oder lagern.



3.1 Abbildung 4

⚠ ACHTUNG

Verlassen Sie sich nicht ausschließlich auf die Technik. Tragen Sie durch umsichtigen Umgang mit Waffen zu Ihrer eigenen Sicherheit bei. Der sicherheitsbewusste Umgang mit Waffen liegt in Ihrer Verantwortung.

3 BEDIENUNG

3.2 Laden

3.2.1 Magazin füllen

Anhand der Öffnungen im Magazingehäuse kann der Ladestand des Magazins erkannt werden.



3.2.1 Abb. 1



Hinweis:

Verwenden Sie ausschließlich die für Ihre Pistole vorgesehenen Magazine. Andere Magazine können zu Funktionsstörungen oder Beschädigung von Pistole und Magazin führen (3.2.1 Abb. 1).



ACHTUNG

Versuchen Sie nicht, mehr Patronen zu laden, als auf dem Magazin angegeben. Dies könnte sonst zu Zuführstörungen führen. Wenden Sie keine Gewalt an, da dies eine Beschädigung des Magazins zur Folge haben könnte. Beschädigte oder verformte Magazine und Magazinlippen verursachen Funktionsstörungen und damit den Ausfall der Pistole.

Laden Sie das Magazin, indem Sie den vorderen Teil des Zubringers mit dem Patronenboden nach unten drücken und die Patrone unter die Magazinlippen schieben, bis der Patronenboden die hintere Magazinwand berührt. Wiederholen Sie diesen Vorgang, indem Sie mit dem Boden der jeweils nächsten Patrone und dem Daumen der zweiten Hand die oberste Patrone im Magazin nach unten drücken und die neue Patrone dann unter die Magazinlippen schieben (3.2.1 Abb. 2).

Zur Erleichterung kann die WALTHER-Ladehilfe eingesetzt werden: Schieben Sie die Ladehilfe von oben auf das Magazin (3.2.1 Abb. 3), drücken Sie die Ladehilfe nach unten und führen Sie mit der zweiten Hand eine Patrone unter die Magazinlippen (3.2.1 Abb. 4). Heben Sie die Ladehilfe leicht an und schieben Sie die Patrone vollständig unter die Magazinlippen (3.2.1 Abb. 5).



3.2.1 Abbildung 2



3.2.1 Abbildung 3



3.2.1 Abbildung 4



3.2.1 Abbildung 5

3.2.2 Laden der Pistole

- Überprüfen Sie die Pistole wie in Kapitel 3.1 beschrieben.
- Halten Sie die Q5 Match SF mit der Mündung in eine sichere Richtung gerichtet. Der Finger liegt außerhalb des Abzugsbügels, berührt insbesondere den Abzug nicht. Führen Sie das Magazin in den Magazinschacht ein, bis es einrastet. Vergewissern Sie sich, ob das Magazin eingerastet ist, indem Sie das Magazin am Magazinboden nach unten ziehen. Das Magazin darf sich nicht lösen.
- Ziehen Sie den Verschluss zurück und lassen Sie ihn nach vorn schnellen.

⚠ ACHTUNG

Führen Sie Patronen ausschließlich über das Magazin in das Patronenlager ein. Versuchen Sie nicht, eine Patrone einzeln durch das Auswurffenster in das Patronenlager einzuführen. Sie könnten sich oder andere dabei ernsthaft oder gar tödlich verletzen.

⚠ WARNUNG

Die Pistole ist nun schussbereit. Ihre Pistole und das Magazin sind geladen und es wird ein Schuss ausgelöst, wenn der Abzug betätigt wird. Richten Sie die Mündung der Pistole unter allen Umständen in eine sichere Richtung und halten Sie Ihren Abzugsfinger und andere Objekte vom Abzug entfernt und außerhalb des Abzugsbügels. Geben Sie eine geladene Waffe nicht aus der Hand.

3.3 Schießen

- Richten Sie die Mündung in eine sichere Richtung und halten Sie Ihren Abzugsfinger vom Abzug fern und außerhalb des Abzugsbügels, bis Sie schießen möchten.
- Nutzen Sie die günstige Form des Griffs der Q5 Match SF, indem Sie ihn so hoch wie möglich greifen. Damit lässt sich die Pistole beim Schuss besser kontrollieren.
- Während Sie den Griff der Pistole kräftig halten, gehen Sie mit Ihrem Finger frontal auf den Abzug und ziehen ihn mit zunehmender Kraft durch, bis der Schuss bricht. Während der Schussabgabe fährt der Verschluss nach hinten und wirft die Patronenhülse aus. Anschließend fährt der Verschluss wieder nach vorn und führt dem Patronenlager die nächste Patrone aus dem Magazin zu.
- Nach dem Schuss nehmen Sie den Finger vom Abzug und halten ihn außerhalb des Abzugsbügels, bis Sie für den nächsten Schuss bereit sind. Diesen Ablauf können Sie bis zum letzten Schuss wiederholen.
- Nach dem letzten Schuss betätigt der Zubringer des Magazins den Fanghebel und der Verschluss wird in offener Stellung gefangen.

! ACHTUNG

Tragen Sie beim Schießen Gehörschutz und Schutzbrille. Bei der Schussabgabe oder bei Betätigung des Verschlussfanghebels bewegt sich der Verschluss mit beträchtlicher Kraft und Geschwindigkeit in Längsrichtung. Halten Sie deshalb die Pistole so, dass sich kein Körperteil von Ihnen in der Bewegungsbahn des Verschlusses befindet.

3.4 Magazinwechsel

Nach dem letzten Schuss betätigt der Zubringer des Magazins den Fanghebel und der Verschluss wird in geöffneten Stellung gefangen.

- Betätigen Sie den Magazinhalter und entfernen Sie das Magazin
- Laden Sie ein neues Magazin
- Ziehen Sie den Verschluss zurück und lassen Sie ihn nach vorn schnellen

! WARNUNG

Die Pistole ist wieder schussbereit. Richten Sie die Mündung der Pistole in eine sichere Richtung, halten Sie Ihren Abzugsfinger vom Abzug entfernt und außerhalb des Abzugsbügels, bis Sie für den nächsten Schuss bereit sind.

3.5 Entladen

- Richten Sie die Mündung in eine sichere Richtung. Die Finger befinden sich außerhalb des Abzugsbügels und berühren den Abzug nicht. Drücken Sie den Magazinhalter und entfernen Sie das Magazin (3.5 Abb. 1).
- Greifen Sie den Verschluss von hinten an den Spannritzen (3.5 Abb. 2) und ziehen ihn kräftig bis zum Anschlag zurück. Falls sich eine Patrone im Patronenlager befindet, wird diese dabei ausgezogen und ausgeworfen.



3.5 Abbildung 1

Verdecken Sie dabei nicht das Auswurfenster, da die Patrone sonst nicht zuverlässig ausgeworfen wird.

- Arretieren Sie den Verschluss in der geöffneten Stellung: Während Sie den Verschluss in der hintersten Stellung halten, schieben Sie den Fanghebel nach oben und lassen den Verschluss langsam vor, bis er vom Fanghebel gehalten wird (3.5 Abb. 3).



3.5 Abbildung 2



3.5 Abbildung 3

Q5 MATCH SF

3 BEDIENUNG

- Kontrollieren Sie das Patronenlager (3.5 Abb. 4). Das Patronenlager muss leer sein.
Kontrollieren Sie den Magazinschacht. Der Magazinschacht muss leer sein.
- Zum Entladen des Magazins halten Sie das Magazin so, dass die Geschosse von Ihnen weg gerichtet sind. Schieben Sie die jeweils oberste Patrone nach vorn aus dem Magazin.



3.5 Abbildung 4

⚠️ WARNUNG

Immer wenn Sie den Verschluss schließen, während ein geladenes Magazin in der Pistole ist, wird eine Patrone in das Patronenlager zugeführt und die Pistole ist wieder schussbereit.

3.6 Verhalten bei Versagern

- Bei einem Versager warten Sie 10 Sekunden und halten dabei die Mündung in eine sichere Richtung.
- Entladen Sie die Pistole wie in Kapitel „3.5 Entladen“ beschrieben.
- Nun können Sie durch Sichtkontrolle das Patronenlager und den Lauf prüfen. Patronenlager und Lauf müssen frei sein.

4 DEMONTAGE, REINIGEN, ÖLEN UND PFLEGE

4 DEMONTAGE, REINIGEN, ÖLEN UND PFLEGE

! ACHTUNG

Stellen Sie vor den Arbeiten sicher, dass Pistole und Magazin entladen sind.

4.1 Hauptgruppen

! WARNUNG

Für das Zerlegen der Pistole ist es erforderlich, den Abzug zu betätigen. Wenn die Pistole nicht korrekt entladen wurde und sich noch eine Patrone im Patronenlager befindet, wird sich beim Abziehen ein Schuss lösen und Leib und Leben des Bediener oder anwesender Personen kann gefährdet werden, oder Sachschaden entstehen. Deshalb müssen Sie vor dem Betätigen des Abzugs Patronenlager und Magazinschacht prüfen. Patronenlager und Magazinschacht müssen leer sein.

4.1.1 Demontage

- Entladen Sie die Pistole: Entfernen Sie das Magazin und arretieren Sie den Verschluss in geöffneter Stellung. Das Patronenlager und der Magazinschacht müssen leer sein.
- Schwenken Sie den Laufhalter im Uhrzeigersinn bis zum Anschlag nach oben (4.1.1 Abb. 1).
- Ziehen Sie den Verschluss zurück und führen Sie ihn nach vorn.
- Richten Sie die Mündung in eine sichere Richtung und entspannen Sie den Schlagmechanismus, indem Sie den Abzug betätigen.
- Nehmen Sie den Finger vom Abzug.
- Schieben Sie den Verschluss vorwärts vom Griffstück.
- Entfernen Sie die Schließfedereinheit gegen den Druck der Schließfeder (4.1.1 Abb. 2).
- Nehmen Sie den Lauf aus dem Verschluss.
- 4.1.1 Abb. 3 zeigt die in ihre Hauptgruppen zerlegte Pistole.



4.1.1 Abbildung 1



4.1.1 Abbildung 2



4.1.1 Abbildung 3

EN

DE

FR

ES

TU

Q5 MATCH SF

4 DEMONTAGE, REINIGEN, ÖLEN UND PFLEGE

4.1.2 Montage

- Halten Sie den Verschluss mit der Unterseite nach oben gerichtet. Setzen Sie den Lauf ein, vgl. 4.1.2 Abb. 1.
- Setzen Sie die Schließfedereinheit ein: Setzen Sie die Schließfedereinheit mit dem kleinen Ende der Federführungsstange in Richtung Mündung gerichtet in das Federlager des Verschlusses und anschließend gegen den Druck der Schließfeder mit dem hinteren Ende in die Vertiefung am Lauf ein (4.1.2 Abb. 1 und 2).
- Schieben Sie den montierten Verschluss von vorn zunächst auf die vorderen, dann auf die hinteren Schienen des Griffstücks (4.1.2 Abb. 3).
- Ziehen Sie den Verschluss bis zum Anschlag zurück und arretieren Sie ihn mit dem Fanghebel.
- Schwenken Sie den Laufhalter gegen den Uhrzeigersinn bis zum Anschlag nach unten.
- Ziehen Sie den Verschluss zurück und führen Sie ihn nach vorn.



4.1.2 Abbildung 1



4.1.2 Abbildung 2



4.1.2 Abbildung 3

4.2 Schlagbolzeneinheit

4.2.1 Ausbau der Schlagbolzeneinheit

- Zerlegen Sie die Pistole in die Hauptgruppen (Kapitel 4.1.1).
- Stützen Sie den Verschluss mit dem Mündungsende auf einer Unterlage ab. Halten Sie den Verschluss an den hinteren Spannrielen. Drücken Sie den Stift in der quadratischen Öffnung rechts oben in der Verschlusskappe mit einem 2 mm Splintentreiber bis zum Anschlag hinein (4.2.1 Abb. 1) und schieben Sie die Verschlusskappe etwas nach unten. Ziehen Sie die Verschlusskappe nach unten aus dem Verschluss (4.2.1 Abb. 2).
- Ziehen Sie die Schlagbolzeneinheit aus dem Verschluss (4.2.1 Abb. 3).



4.2.1 Abbildung 1



4.2.1 Abbildung 2



4.2.1 Abbildung 3

4.2.2 Einbau der Schlagbolzeneinheit

- Schlagbolzeneinheit einsetzen (4.2.2 Abb. 1).
- Drücken Sie das hintere Ende der Schlagbolzeneinheit mit der Verschlusskappe nach innen und schieben Sie die Verschlusskappe von unten in ihre Führung im Verschluss, bis sie einrastet (4.2.2 Abb. 2).



4.2.2 Abbildung 1



4.2.2 Abbildung 2

4.3 Auszieher



Hinweis:

Die Schlagbolzensicherung kann nur dann ausgebaut werden, wenn vorher der Schlagbolzen aus dem Verschluss entfernt wurde. Folgen Sie der Beschreibung in Kapitel 4.2, um den Schlagbolzen auszubauen.

4.3.1 Ausbau des Ausziehers



Vorsicht:

Tragen Sie eine Schutzbrille. Auszieherstift und Schlagbolzensicherung stehen unter Federdruck. Beim Ausbau des Ausziehers können diese Teile herausgeschleudert werden.

- Legen Sie das Verschlussstück mit der Visierung nach unten und der Mündung nach links vor sich.
- Drücken Sie mit einem 2 mm Splintentreiber den Auszieherstift gegen die Federkraft in den Verschluss (4.3.1 Abb. 1), bis der Auszieher herauspringt. Legen Sie den Splintentreiber ab.
- Während Sie die Schlagbolzensicherung und den Auszieherstift mit einem Finger abdecken, entnehmen Sie den Auszieher. Entnehmen Sie nun die Schlagbolzensicherung und den Auszieher aus dem Verschluss (4.3.1 Abb. 2).
- Entfernen Sie nicht die Druckfeder zum Auszieher aus dem Verschlussstück. Ein sicherer Sitz dieser Druckfeder ist durch eine erweiterte Endwindung gegeben.



4.3.1 Abbildung 1



4.3.1 Abbildung 2

4.3.2 Einbau des Ausziehers

- Legen Sie den Verschluss mit der Visierung nach unten und mit der Mündung nach links vor sich.
- Setzen Sie den Auszieherstift mit der Feder voraus ein.
- Sichern Sie die Druckfeder in der Bohrung der Schlagbolzensicherung gegen Herausfallen, indem Sie etwas Waffenöl (kein Fett!) auf die Feder auftragen, bevor Sie die Druckfeder in die Bohrung der Schlagbolzensicherung stecken. Setzen Sie die Schlagbolzensicherung mit ihrer Feder in das Verschlussstück ein. Dabei muss die Druckfeder der Sicherung in die dafür vorgesehene Vertiefung im Verschluss gelangen. Bei korrekter Positionierung steht die Sicherung minimal unterhalb der Patronengleitfläche (4.3.2 Abb. 1).



4.3.2 Abbildung 1



4.3.2 Abbildung 2

- Legen Sie das lange Ende des Ausziehers hinten am Radius des Auszieherschlitzes im Verschluss an und halten Sie den Auszieher mit dem Daumen Ihrer anderen Hand gegen den Auszieherstift im Verschluss. Drücken Sie den Auszieherstift mit einem 2 mm Splintentreiber nach innen, während gleichzeitig der Auszieher zur Mitte des Verschlusses geschoben wird (4.3.2 Abb. 2). Das Auge des Ausziehers sperrt nun den Auszieherstift, und der Splintentreiber kann entfernt werden.



4.3.2 Abbildung 3

- Drücken Sie die Schlagbolzensicherung nach innen, bis sie mit der Oberfläche des Verschlusses fluchtet. Gleichzeitig drücken Sie den Auszieher mit den Daumen hinein, bis der Auszieherstift in die Bohrung am Auszieher einrastet (4.3.2 Abb. 3).
- Bauen Sie den Schlagbolzen ein, wie in Kapitel 4.2.2 beschrieben.

4.4 Magazin

4.4.1 Zerlegen



Die Magazinfeder steht unter Druck. Beim Zerlegen des Magazins können Teile herausgeschleudert werden. Seien Sie vorsichtig beim Zerlegen des Magazins. Halten Sie den Bodenhalter, während Sie den Magazinboden abnehmen und entnehmen Sie den Bodenhalter inklusive Magazinfeder vorsichtig aus dem Magazingehäuse.

4 DEMONTAGE, REINIGEN, ÖLEN UND PFLEGE

1. Drücken Sie den Bodenhalter mit einem 4 mm Splintentreiber durch die Bohrung im Magazinboden nach innen in das Magazingehäuse (4.4.1 Abb. 1).

Magazin mit Verlängerung:

Schieben Sie den Magazinboden komplett nach hinten, bis zu seinem Anschlag am Magazingehäuse. Führen Sie die stumpfe Klinge eines Schraubendrehers in die Öffnung des Bodenhalters auf der Rückseite des Magazins ein. Schieben Sie den Bodenhalter in Richtung Magazinlippen, bis der Bodenhalter herauspringt (4.4.1 Abb. 2).

2. Schieben Sie den Boden nach vorn und nehmen Sie ihn vom Magazingehäuse ab, während Sie den Bodenhalter gegen den Druck der Magazinfeder halten.
3. Entnehmen Sie Bodenhalter und Magazinfeder.
4. Schütteln Sie den Zubringer aus dem Magazingehäuse.



4.4.1 Abbildung 1



4.4.1 Abbildung 2

4.4.2 Zusammenbau

1. Führen Sie zunächst den Zubringer und dann die Magazinfeder mit Bodenhalter in das Magazingehäuse ein. Achten Sie auf die richtige Ausrichtung der Teile. Die Teile lassen sich ohne Gewaltanwendung einbauen (4.4.2 Abb. 1 und 2).
2. Während Sie den Bodenhalter in das Magazingehäuse drücken, schieben Sie den Magazinboden von vorne auf, bis er hörbar einrastet.



4.4.2 Abbildung 1



4.4.2 Abbildung 2

Magazin mit Verlängerung:

Legen Sie das hintere Ende des Bodenhalters von außen gegen die Rückwand des Magazins an, während Sie den Bodenhalter in das Magazin gedrückt halten. Schieben Sie den Magazinboden von vorne bis zum Anschlag auf. Drücken Sie das hintere Ende des Bodenhalters in das Magazin, damit der Bodenhalter einrastet.

4.5 Schließfedereinheit

- Das Zerlegen der Schließfedereinheit ist für die Pflege der Pistole nicht erforderlich und sollte vermieden werden.
- Da die Schließfedereinheit unter enormer Federspannung steht und das Zerlegen hohen Kraftaufwand und entsprechendes Geschick erfordert, ist besondere Vorsicht geboten.

4.5.1 Zerlegen der Schließfedereinheit



WARNUNG

Schutzbrille tragen.

- Das große Ende der Schließfederstange auf einer rutschfesten Unterlage abstützen.



ACHTUNG

Hoher Kraftaufwand erforderlich.

- Oben ca. zwischen zweiter und dritter Federwindung beispielsweise einen 10 mm Gabelschlüssel an der Feder ansetzen und die Feder bis auf Anschlag nach unten schieben (4.5.1 Abb. 1).
- Die Schließfederscheibe greifen und bis zur Einschnürung an der Schließfederstange nach unten führen, bis sie an der schlanken Stelle der Schließfederstange seitlich, gegen leichten Widerstand abgezogen werden kann (4.5.1 Abb. 2). Beim Abnehmen der Schließfederscheibe keine Gewalt anwenden. Dies könnte die Schließfederscheibe beschädigen.
- Scheibe ablegen und Schließfeder langsam nach oben führen. Das kleine Ende der Schließfederstange mit dem Daumen gegen Auseinanderspringen sichern. Achtung: Hohe Federkraft! Feder mit beiden Händen greifen, Enden gegeneinander verdrehen und gleichzeitig auseinanderziehen, damit sich die Feder vom kleinen Ende der Stange löst. Abschließend die Feder von der Stange abziehen.



4.5.1 Abbildung 1



4.5.1 Abbildung 2



4.5.1 Abbildung 3

4.5.2 Montage der Schließfedereinheit



Schutzbrille tragen.

Großes Ende der Schließfederstange auf einer rutschfesten Unterlage abstützen. Das Ende der Schließfeder von Hand bis ganz nach unten auf die Federstange schieben. In mehreren kleinen Schritten die Feder beispielsweise mit einem 10 mm Gabelschlüssel so weit komprimieren, bis das obere Ende von Hand mit entsprechendem Kraftaufwand über das Stangeneinde gepresst werden kann. Federende mit dem Daumen sichern, während der Gabelschlüssel ca. zwischen zweiter und dritter Federwindung angesetzt wird. Mit dem Gabelschlüssel Feder bis auf Anschlag nach unten schieben.

Die Schließfedeerscheibe greifen und gegen leichten Widerstand von der Seite kommend an der schlanken Stelle der Schließfederstange aufschieben. Wenden Sie beim Aufschieben der Schließfedeerscheibe keine Gewalt an. Dies könnte die Schließfedeerscheibe beschädigen.

Abschließend Feder langsam entlasten und Gabelschlüssel entfernen.

4.6 Reinigen



Stellen Sie vor dem Reinigen sicher, dass Pistole und Magazin entladen sind.

Reinigen Sie die fabrikneue Pistole vor dem ersten Schießen. Die Pistole wurde entweder mit Konservierungsmittel oder Öl behandelt, um sie vor Korrosion zu schützen. Vor dem ersten Gebrauch der neuen Pistole entfernen Sie überschüssiges Öl aus Lauf und Patronenlager, sowie von den außenliegenden Flächen.

Ihre Pistole ist ein Präzisionsinstrument. Pflegen Sie die Pistole regelmäßig, um eine zuverlässige Funktion zu gewährleisten.

Nach jedem Einsatz der Pistole oder nachdem sie extremen Witterungsbedingungen ausgesetzt war, sollte sie gereinigt werden.

Zerlegen Sie die Pistole in die Hauptgruppen (siehe Kap. 4.1).

Reinigen Sie den Lauf mit Reinigungsbürste und Laufreiniger, vom Patronenlager her beginnend. Entfernen Sie Blei und Rückstände mit einer Messingbürste aus dem Lauf. Lauf und Patronenlager müssen sauber sein.

Säubern Sie die Außenflächen des Laufs mit Lappen und Reinigungsstäbchen. Mit einer kleinen Bürste und ggf. Waffenöl entfernen Sie Rückstände an Griffstück, Lauf, Verschluss, Auszieher, Stoßboden und anderen verschmutzten Stellen. Nach dem Reinigen ölen Sie außenliegende Metalloberflächen dünn ein.

Falls die Pistole in kalter Umgebung benutzt oder gelagert werden soll, verwenden Sie ein für den Einsatz bei niedrigen Temperaturen empfohlenes Waffenöl.

EN

DE

FR

ES

TU

Q5 MATCH SF

4 DEMONTAGE, REINIGEN, ÖLEN UND PFLEGE



4.7 Abbildung 1

⚠️ WARNUNG

Halten Sie sich an die Bedienungsanleitung der verwendeten Reinigungsmittel. Manche Reinigungsmittel können Ihrer Pistole schaden. Vermeiden Sie lange Einwirkzeiten, zu langes Reinigen im Ultraschallbad und Ultraschallbad-Temperaturen über 50°C. Verwenden Sie ausschließlich für die Waffenpflege empfohlene, harz- und säurefreie Reinigungsmittel und Waffenöle. Ammoniakhaltige Lösungsmittel und alkalische Lösungsmittel dürfen nicht verwendet werden.

4.7 Ölen

Nach dem Reinigen der Q5 Match SF sollte ein dünner Ölfilm auf die Außenflächen der Metallteile und die Funktionsteile aufgetragen werden (4.7 Abb. 1). Verwenden Sie ausschließlich harz- und säurefreies Waffenöl.

Achten Sie darauf, nicht zu kräftig zu ölen. Zu viel Öl wurde aufgetragen, wenn Öltropfen zu sehen sind oder Öl aus der Pistole rinnt. Durch zu viel Öl sammelt sich Schmutz und Schmauch in der Pistole an. Dies beeinträchtigt die Funktion der Pistole. Ölen Sie nicht die Schlagbolzenbohrung.

- Lauf:
Nach dem Reinigen der Pistole ölen Sie die Lafoberflächen und die Kontaktfläche zwischen Lauf und Griffstück mit einem öligen Tuch (A, B).
- Griffstück:
Ölen Sie die Verschlussführungen (C) und die Funktionsflächen der Abzugsstange (D) mit jeweils einem Tropfen Öl.

5 ANPASSUNG DER PISTOLE AN DEN BEDIENER

- Verschluss:
Ölen Sie die Schlagbolzensicherung (E) und die Steuerkurve (F) mit jeweils einem Tropfen Öl.
- Magazin:
Tragen Sie an der Außenseite des Magazingehäuses einen dünnen Ölfilm auf.

4.8 Vorbereitung zur Lagerung

Bitte beachten Sie die waffenrechtlichen Bestimmungen hinsichtlich der Aufbewahrung von Schusswaffen und Munition Ihres Landes.

Bewahren Sie die Pistole nicht in einem Material auf, welches Feuchtigkeit anzieht oder hält (z.B. Leder oder dicke Lappen). Falls die Pistole über einen längeren Zeitraum eingelagert werden soll, schützen Sie Lauf, Patronenlager und die innenliegenden Teile mit Waffenöl oder einem für Waffen vorgesehenen Konservierungsmittel. Außenliegende Teile wie Verschluss, Lauf und Magazin sollten mit Korrosionsschutz behandelt werden.

Reinigen Sie die Q5 Match SF, bevor Sie die Pistole das nächste Mal verwenden. Achten Sie bei jedem Reinigen auch darauf, ob Sie Abnutzungen erkennen. Bei ungewöhnlichen Abnutzungserscheinungen lassen Sie die Pistole von einem qualifizierten Büchsenmacher oder durch WALTHER überprüfen.

5 ANPASSUNG DER PISTOLE AN DEN BEDIENER

5.1 Magazinhalter

Der Magazinhalter ist von linksseitiger Bedienung auf rechtsseitige Bedienung umbaubar. Für den Umbau ist ein Stift mit 1 mm Durchmesser und ein kleiner Schraubendreher (ca. 2,5 mm) erforderlich.

1. Halten Sie den Magazinhalter gedrückt. Dabei tritt dessen gegenüberliegendes Ende aus dem Griff hervor und gibt eine kleine Bohrung auf seiner Rückseite frei. Führen Sie einem 1 mm-Stift bis zum Anschlag in die Bohrung ein (5.1 Abb. 1).
2. Drücken Sie den Stift gegen den Anschlag in die Bohrung. Dadurch wird die Schnappverbindung der Kappe am Magazinhalter gelöst (zum besseren Verständnis sind in 5.1 Abb. 2 die einzelnen Teile abgebildet).
3. Heben Sie die Kappe mit einem Schraubendreher an und entfernen diese (5.1 Abb. 3). Falls sich die Kappe nicht entfernen lässt, versuchen Sie die Kappe mit dem Schraubendreher anzuheben, während gleichzeitig der Stift in die Bohrung gedrückt wird.



5.1 Abbildung 1



5.1 Abbildung 2



5.1 Abbildung 3

EN

DE

FR

ES

TU

Q5 MATCH SF

5 ANPASSUNG DER PISTOLE AN DEN BEDIENER

4. Entnehmen Sie den Magazinhalter (5.1 Abb. 4) und die Druckfeder an der gegenüberliegenden Seite.
5. Setzen Sie die Druckfeder auf jener Seite ein, von welcher aus der Magazinhalter bedienbar sein soll (5.1 Abb. 5).
6. Führen Sie den Magazinhalter von der gleichen Seite aus ein, wie vorher die Druckfeder (5.1 Abb. 6).
7. Halten Sie den Magazinhalter gedrückt, während Sie die Kappe von gegenüber einsetzen. Drücken Sie die Kappe in den Magazinhalter, bis der Schnapper hörbar einrastet (5.1 Abb. 7 und 8).



5.1 Abbildung 4



5.1 Abbildung 5



5.1 Abbildung 6



5.1 Abbildung 7



5.1 Abbildung 8

5.2 Griffschalen wechseln

Entfernen Sie die Schrauben an der Griffschale mit einem Sechskantschlüssel SW2 (5.2 Abb. 1). Ziehen Sie die Griffschale nach hinten vom Griffstück ab (5.2 Abb. 2). Bevor die Griffschale wieder angebracht wird, stellen Sie sicher, dass sich die vier Magazinöffnungen (5.2 Abb. 3) wieder im Griffstück befinden. Nun schieben Sie die Griffschale von hinten auf das Griffstück auf. Ziehen Sie die Schrauben mit 0,6 Nm an.



5.2 Abbildung 1



5.2 Abbildung 2



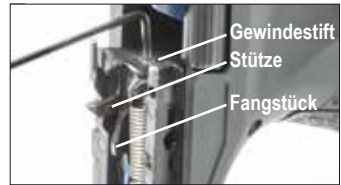
5.2 Abbildung 3

5 ANPASSUNG DER PISTOLE AN DEN BEDIENER

5.3 Abzug (Champion)

Der Q5-Abzug wurde ab Werk sorgfältig justiert und vereint sichere Waffenfunktion und trockene Schussauslösung. Bitte beachten Sie: Beim Umgang mit Waffen und speziell nach Manipulation am Abzug besteht eine Gefahr für Leib und Leben von Personen und das Risiko von Sachbeschädigung durch unbeabsichtigte Schussabgabe. WALTHER lehnt bei Manipulation am Abzug jede Haftung für entstandene Schäden ab. Justage-, Instandsetzungs- und Servicearbeiten am Abzug sind durch WALTHER oder eine qualifizierte Werkstatt auszuführen.

Für eine Grundeinstellung des Abzugs wird die Pistole in die Hauptgruppen zerlegt, siehe Kapitel 4.1.1. Anschließend den Griff mit der Nicht-Schießhand halten, wobei das vordere Ende vom Körper weist. Nun den Gewindestift mit dem Sechskantschraubenschlüssel SW1,5 (im Lieferumfang enthalten) entgegen dem Uhrzeigersinn aus dem Abzugsgehäuse schrauben, bis der Gewindestift minimal in den Magazinschacht ragt (5.3 Abb.1).



5.3 Abbildung 1



5.3 Abbildung 2



Hinweis: Den Gewindestift nicht vollständig aus dem Abzugsgehäuse schrauben.

Anschließend ist zu bestimmen, bei welcher Einstellung das Fangstück ausgelöst wird. Dazu den Gewindestift mit dem Sechskantschraubenschlüssel im Uhrzeigersinn drehen, während das Fangstück gleichzeitig mit etwas Kraftaufwand mit dem Daumen der zweiten Hand in Richtung Magazinschacht nach vorn und in das Abzugsgehäuse nach unten gedrückt wird (5.3 Abb. 2). Am Auslösepunkt wird das vordere Ende des Fangstücks in das Abzugsgehäuse abschwenken, wodurch sich die Stütze nach hinten bewegt.

Den Daumen vom Fangstück nehmen und den Gewindestift ca. eine $\frac{1}{4}$ Umdrehung entgegen dem Uhrzeigersinn drehen. Nach dieser Korrektur muss das Fangstück bei Belastung unten gegen einen klaren Anschlag laufen und die Stütze in Ruhestellung bleiben. Falls dieser Zustand noch nicht erreicht ist, wird der Gewindestift nochmals eine $\frac{1}{4}$ Umdrehung entgegen dem Uhrzeigersinn gedreht und die Belastungsprüfung wiederholt. Von dieser Position ausgehend, nun den Gewindestift eine $\frac{3}{4}$ Umdrehung entgegen dem Uhrzeigersinn schrauben. Abschließend wird die Pistole wieder montiert, siehe Kapitel 4.1.2. Vor dem Test des Abzugs sollte eine Pufferpatrone geladen werden, um den Schlagbolzen zu schonen.



Hinweis: Bei kurzer Rastenüberschneidung wird der Schlagbolzen nicht mehr zuverlässig gespannt und es besteht die Gefahr des Doppelns. Bei langer Rastenüberschneidung erhöht sich die Sicherheit gegen Doppelns, wobei jedoch möglicherweise ein schleppender Druckpunkt fühlbar wird.

Q5 MATCH SF

5 ANPASSUNG DER PISTOLE AN DEN BEDIENER

5.4 Visierung

Korn und Visier sind austauschbar. Die Treffpunktlage lässt sich in Seite und Höhe korrigieren. Die Anschlussmaße der Schwalbenschwanzverbindung sind LPA-typisch und betragen 12mm x 2mm x 70°. Die Kornhöhe beträgt 5,3 mm.



5.4 Abbildung 1

Zum Einstellen der Visierung bzw. für den Tausch der Montageplatte liegt der Q5 Match SF folgendes Zubehör bei (5.4 Abb. 1):

- Sechskantschlüssel SW1,5
- Sechskantschlüssel SW2,5
- 2 Stk. Innensechskantschraube M3x6
- Schraubendreher

⚠ ACHTUNG

Stellen Sie vor den Arbeiten sicher, dass Pistole und Magazin entladen sind.

5.4.1 Korn

Zerlegen Sie die Pistole in die Hauptgruppen, wie in Kapitel 4.1.1 beschrieben.

Entfernen Sie die Kornschraube mit einem Schraubendreher (5.4.1 Abb. 1) und drücken Sie das Korn nach oben aus dem Verschluss.

Die Montage erfolgt in umgekehrter Reihenfolge. Entölen Sie die Kornschraube und das Gewinde im Korn. Sichern Sie die Kornschraube mit einem Industriekleber (z.B. Loctite 648). Die Kornschraube leicht anziehen (Drehmoment ca. 1 Nm).



5.4.1 Abbildung 1

5.4.2 Visier

Zerlegen Sie die Pistole in die Hauptgruppen, wie in Kapitel 4.1.1 beschrieben.

SEITENVERSTELLUNG

Bei Linksschuss drehen Sie die Seitenstellschraube im Uhrzeigersinn, bei Rechtsschuss entgegen dem Uhrzeigersinn. Verwenden Sie dazu die kleine Klinge des beiliegenden Schraubendrehers (5.4.2 Abb. 1).

Bei einer Anschusentfernung von 25 m ergibt sich eine Treffpunktverlagerung von ca. 5 mm pro Klick.

5 ANPASSUNG DER PISTOLE AN DEN BEDIENER

HÖHENVERSTELLUNG

Bei Hochschuss drehen Sie die Höhenstellschraube im Uhrzeigersinn, bei Tiefschuss entgegen dem Uhrzeigersinn. Verwenden Sie dazu die größte Klinge des beiliegenden Schraubendrehers (5.4.2 Abb. 2). Bei einer Anschusssentfernung von 25 m ergibt sich eine Treffpunktverlagerung von ca. 10 mm pro Klick.

VISIER ABNEHMEN

Zerlegen Sie die Pistole in die Hauptgruppen, wie in Kapitel 4.1.1 beschrieben.

Mit dem Sechskantschlüssel SW1,5 die beiden Gewindestifte im Visier lösen (5.4.2 Abb. 3) und das Visier seitlich von der Montageplatte abziehen (5.4.2 Abb. 4).

Die Montage erfolgt in umgekehrter Reihenfolge. Entölen Sie die Gewindestifte und die Gewinde im Visier. Sichern Sie die Gewindestifte mit einem Industriekleber (z.B. Loctite 648). Die Gewindestifte leicht anziehen (Drehmoment ca. 0,6 Nm). Falls das Visier durch ein anderes Visier ersetzt wird, beachten Sie bitten die Hinweise, die diesem Visier beiliegen.



5.4.2 Abbildung 1



5.4.2 Abbildung 2



5.4.2 Abbildung 3



5.4.2 Abbildung 4

EN

DE

FR

ES

TU

5.4.3 Montageplatte ersetzen

Montageplatten für diverse Reflexvisiere sind als Sonderzubehör erhältlich. Damit lassen sich Visiere der Marken Docter (01), Trijicon (02) bzw. Leupold/DeltaPoint (04) montieren. Die Montageplatten sind entsprechend beschriftet.



5.4.3 Abbildung 1

Bevor die Montageplatte gewechselt wird, zerlegen Sie die Pistole in die Hauptgruppen, wie in Kapitel 4.1.1 beschrieben. Mit dem Sechskantschraubenschlüssel SW2,5 entfernen Sie anschließend beide Innensechskantschrauben (5.4.3 Abb. 1). Nehmen Sie nun die Montageplatte nach oben vom Verschluss ab.



5.4.3 Abbildung 2



Hinweis:

Vertauschen Sie die Innensechskantschrauben nicht mit Schrauben, die einem anderen Visier beiliegen. Die Innensechskantschrauben besitzen ein metrisches Gewinde. Es sind Schrauben der Größe M3x6. Zwei dieser Schrauben liegen der Pistole als Reserve bei (5.4.3 Abb. 2). Das Gewinde dieser Schrauben ist mit einer blauen Schraubensicherung versehen.

Setzen Sie die gewünschte Montageplatte von oben auf den Verschluss, wobei die Beschriftung der Montageplatte auf der Unterseite ist. Ziehen Sie die Montageplatte in Richtung Mündung, während Sie die Innensechskantschrauben anziehen (5.4.3 Abb. 3). Ziehen Sie beide Schrauben an (Drehmoment ca. 2 Nm).



5.4.3 Abbildung 3

Beim Anbringen des gewünschten Visiers beachten Sie bitte die Hinweise des Visierherstellers (5.4.3 Abb. 4).



5.4.3 Abbildung 4

6 TECHNISCHE DATEN

6 TECHNISCHE DATEN

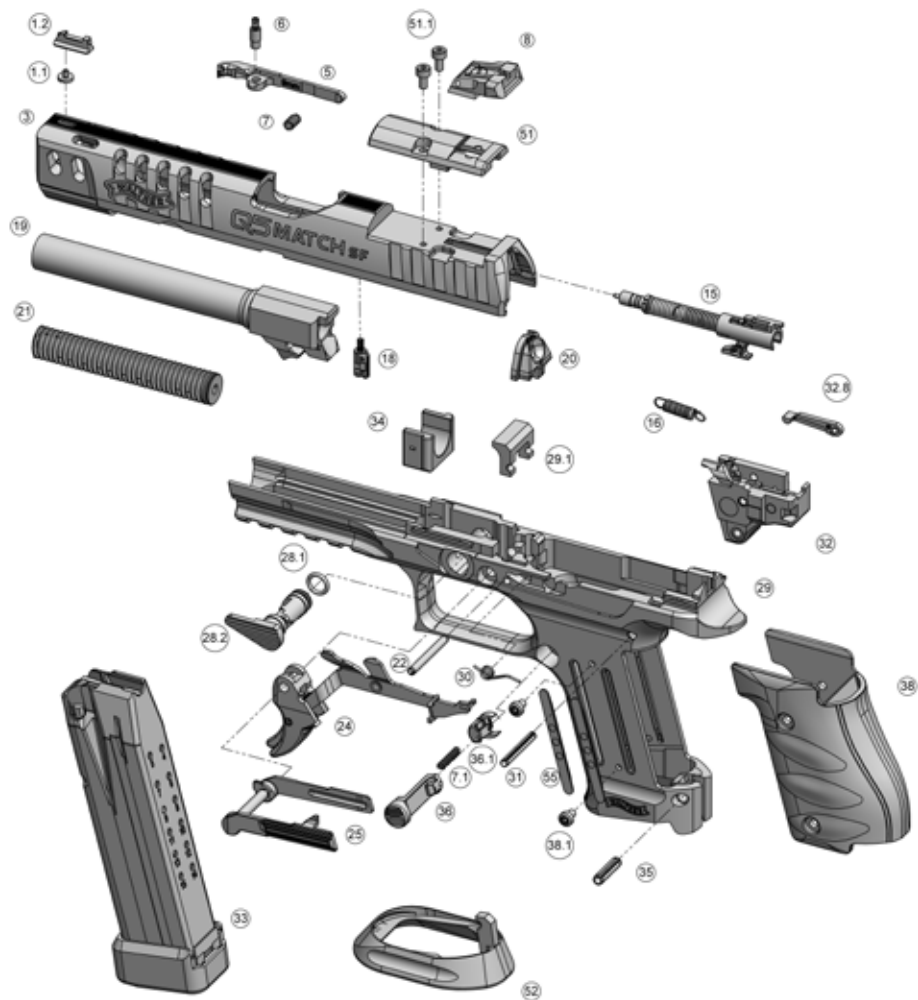
Kaliber	9 mm x 19
Magazinkapazität (min.)	15 Patronen
Maße (L/B/H) (min.)	220 / 36 / 137 mm
Lauflänge	127 mm (5")
Dralllänge	250 mm rechtsdrall
Laufprofil	Polygon
Länge der Visierlinie	181 mm
Breite, Kimme	3 mm
Breite, Korn	2,9 mm
Höhe, Korn	5,3 mm
Gewicht, inkl. leerem Magazin	1160 g
Gewicht, Magazin, leer	80 g
Geschossenergie E₃	500 J
Geschossgewicht	8 g
Verriegelungsart	Browningsystem ohne Zwischenglied
Schlossart	Schlagbolzenschloss
Abzugsystem	Quick Defense Trigger, vorgespannt
Abzugkraft / Abzugweg	25 N / 9 mm (bei jedem Schuss gleich)
Material	Verschluss-Stück, Lauf und Griffstück: Tenifer®-behandelter, hochfester Vergütungsstahl.
Sicherungen	Unterbrecher, Abzug- und Schlagbolzensicherung

Die Angaben sind Mittelwerte. Tatsächliche Werte können abweichen.
Tenifer® is a registered trademark of Durferrit GmbH, Germany.

Q5 MATCH SF

7 EXPLOSIONSDARSTELLUNG

7 EXPLOSIONSDARSTELLUNG



8 TEILELISTE

8 TEILELISTE

Nr.	Benennung	Nr.	Benennung
1.1	Kornschaube	28.2	Laufhalter
1.2	Korn	29	Griffstück
3	Verschlussstück	29.1	Laufauflager
5	Auszieher	30	Fanghebelfeder
6	Auszieherstift , komplett	31	Stift 3x24
7	Feder zum Auszieher	32	Abzuggehäuse, montiert
7.1	Feder zum Magazindrücker	32.8	Steuerstück
8	Visier	33	Magazin
15	Schlagbolzen, komplett	34	Einlage vordere Verschlussführung
16	Abzugfeder	35	Stift 4x16
18	Schlagbolzensicherung, komplett	36	Magazinhalter
19	Lauf	36.1	Clip Magazinhalter
20	Verschlusskappe	38	Griffschale
21	Schließfedereinheit	38.1	Schraube für Griffschale
22	Stift 3x28	51	Adapterplatte Visier
24	Abzug, komplett	51.1	Schraube für Adapterplatte
25	Fanghebel	52	Magwell
28.1	O-Ring Laufhalter	55	Magazinführung

EN

DE

FR

ES

IT

TU

WALTHER

MODE D'EMPLOI

PISTOLET Q5 MATCH SF

EN

DE

FR

ES

IT

TU



VEUILLEZ LIRE ATTENTIVEMENT LES CONSIGNES ET AVERTISSEMENTS FIGURANT DANS LE PRÉSENT MODE D'EMPLOI AVANT D'UTILISER CETTE ARME À FEU.

STEEL FRAME

**Remarque :**

Ce mode d'emploi se réfère à l'utilisation du pistolet par des civils. Les prescriptions relatives à l'utilisation en service / professionnelle du pistolet peuvent être différentes des indications figurant dans le présent mode d'emploi.

Dans ce mode d'emploi, la position considérée du pistolet est celle correspondant à la position de tir normale, c'est-à-dire le canon à l'horizontale, la bouche orientée vers l'avant, et la poignée dirigée vers le bas. Les indications telles que «en haut», «en bas», «à droite», «à gauche» ainsi que «à l'arrière» et «à l'avant» se réfèrent au point de vue du tireur tenant l'arme dans une position normale de tir.

Les explications données se basent sur l'utilisation par des droitiers. Les gauchers sont priés d'adapter de manière adéquate leur utilisation avec la main gauche.

Attention : les figures présentées dans ce mode d'emploi sont destinées à expliquer les propos et peuvent différer des armes réelles.

TABLE DES MATIÈRES

1	Consignes de sécurité	4
2	Description du produit	5
2.1	Mode opératoire	5
2.2	Contenu de la livraison	5
2.3	Munitions	6
2.4	Éléments fonctionnels	7
3	Utilisation	10
3.1	Contrôle du pistolet	10
3.2	Chargement	11
3.3	Tir avec	12
3.4	Changement de chargeur	13
3.5	Déchargement	13
3.6	Consignes en cas de dysfonctionnement	14
4	Démontage, nettoyage, graissage et entretien	15
4.1	Éléments principaux	15
4.2	Bloc percuteur	16
4.3	Extracteur	17
4.4	Chargeur	18
4.5	Bloc ressort de recul	20
4.6	Nettoyage	21
4.7	Graissage	22
4.8	Préparation au rangement / stockage	23
5	Adaptation du pistolet à l'utilisateur	23
5.1	Arrêteur de chargeur	23
5.2	Changement des plaquettes de poignée	24
5.3	Détente	25
5.4	Dispositif de visée	26
6	Caractéristiques techniques	29
7	Vue éclatée	30
8	Liste des pièces	31

1 CONSIGNES DE SÉCURITÉ

- Lisez attentivement et entièrement le présent mode d'emploi avant d'utiliser le pistolet. Assurez-vous d'avoir parfaitement compris le mode d'emploi avant d'utiliser le pistolet. Chacune des descriptions relatives aux parties du pistolet et chaque procédé ne sont généralement présentés qu'une seule fois dans le présent mode d'emploi. Pour cette raison, certaines parties contiennent le cas échéant des renvois vers des explications déjà disponibles dans d'autres chapitres.
- Il est impératif de vérifier que le pistolet est déchargé (chargeur retiré du pistolet et chambre vide), que le canon est exempt de tout corps étranger et le chargeur vide avant de réaliser le contrôle de sécurité, avant toute utilisation, en cas de dysfonctionnement et avant le nettoyage.
- Rangez le pistolet et les munitions séparément. Les personnes non autorisées (en particulier les enfants) ne doivent pas y avoir accès.
- Maniez le pistolet non chargé comme s'il était chargé. Tenez toujours le pistolet de sorte à ne mettre en danger ni vous-même ni d'autres personnes. Pointez toujours le pistolet dans une direction sûre ! Ne pointez jamais le pistolet en direction de personnes ou d'objectifs sur lesquels vous ne voulez pas tirer, que le pistolet soit chargé ou non. Ne jamais oublier que même l'arme la plus sûre peut devenir dangereuse pour vous et d'autres personnes, si elle n'est pas maniée correctement.
- À observer constamment: ne laissez jamais le doigt sur la détente, sauf pour tirer volontairement. Le doigt actionnant la détente doit de manière générale se trouver à l'extérieur du pontet. La détente ne doit être actionnée qu'une fois que le pistolet est pointé vers la cible.
- Ne faites jamais usage de la force lors que vous utilisez, contrôlez, démontez, nettoyez ou remontez le pistolet. Un maniement incorrect peut nuire au fonctionnement et à la sécurité du pistolet. Ne démontez pas davantage le pistolet que ce qui est indiqué dans le présent mode d'emploi.
- La sécurité n'est garantie que tant que le pistolet et les munitions se trouvent en parfait état technique.
- Si le pistolet a subi des influences extérieures, telles que corrosion, chute, etc., il doit être impérativement examiné par un armurier qualifié.
- Lors des séances de tir, veillez à porter une protection auditive et des lunettes de tir. Signalez aux personnes se trouvant à proximité qu'elles doivent porter un système de protection auditive et des lunettes de tir.
- Votre arme est conçue pour fonctionner avec des munitions d'un calibre déterminé. La bonne désignation des munitions adaptées à votre pistolet est indiquée sur l'arme. N'utilisez que des munitions conformes aux prescriptions de la Commission Internationale Permanente pour l'Épreuve des Armes à Feu portatives (C.I.P.) ou du SAAMI (Sporting Arms and Ammunition Manufacturers' Institute) et au calibre de votre arme à feu. Il est impératif de veiller, en particulier lors de l'utilisation de munitions rechargées, à ce que la pression de gaz ne soit pas supérieure à celle autorisée par la norme. Une pression trop importante peut endommager l'arme voire provoquer son explosion. Les munitions dont la vitesse de projection et la pression de gaz sont supérieures à la vitesse de projection et pression de gaz pour lesquelles

2 DESCRIPTION DU PRODUIT

l'arme est conçue, soumettent l'arme à une charge supplémentaire, entraînent une usure plus importante et peuvent gravement endommager l'arme.

- Essayez tout excédent de graisse ou d'huile avant le chargement et assurez-vous que le canon est propre et exempt de tout corps étranger.
- Les travaux d'entretien et de service doivent être réalisés par un personnel qualifié.
- Utilisez exclusivement des accessoires Walther d'origine
- Toute modification non appropriée peut avoir des conséquences sur la sécurité et la fiabilité du pistolet et entraîner des blessures voire la mort.

EXCLUSION DE RESPONSABILITÉ

La plus grande prudence est nécessaire lors de l'utilisation d'armes. Celles-ci peuvent entraîner, même involontairement, d'importants dommages et provoquer de graves blessures voire la mort. WALTHER exclut expressément toute responsabilité pour des dommages et incidents liés à l'utilisation impropre de ce pistolet ou allant à l'encontre des règlements et lois. Cela s'applique également pour les dommages dus au non-respect du présent mode d'emploi, à un échange de pièces non autorisé ou à toute intervention sur le pistolet non expressément prévue dans le présent mode d'emploi.

2 DESCRIPTION DU PRODUIT

2.1 Mode opératoire

Le système de culasse du Q5 Match SF utilise le principe du recul à verrouillage. En tirant la détente, le percuteur interne est armé et déclenché. Le percuteur frappe l'amorce de la balle et met la charge à feu. Le projectile est expulsé du canon par la pression de gaz générée et une impulsion est transmise simultanément au groupe canon/culasse verrouillée mécaniquement. Après un léger recul simultané du canon et de la culasse, le canon est dirigé vers le bas et le verrou s'enclenche. Tandis que le canon s'arrête, la culasse recule jusqu'en butée en faisant pression sur le ressort de recul et éjecte ainsi la douille vers la droite. Actionnée par le ressort de recul, la culasse entraîne la balle se trouvant tout en haut du chargeur dans la chambre lors du mouvement avant. Peu avant la fin du mouvement avant de la culasse, le canon incliné est poussé vers le haut et l'avant et verrouillé dans la fenêtre d'expulsion de la culasse. Le tireur enlève le doigt de la détente et le pistolet est prêt pour le prochain tir.

2.2 Contenu de la livraison

- Pistolet dans un coffret en plastique
- Cible d'épreuve
- Clé six pans surplat 1,5 / 2,5
- 2 vis à six pans creux M3x6
- 2 chargeurs de réserve
- Mode d'emploi
- Tournevis
- la chargeur



Remarque : le contenu de la livraison peut varier en fonction du modèle

2.3 Munitions

ATTENTION

Utilisez seulement les munitions prévues pour ce pistolet. De mauvaises munitions peuvent entraîner des dysfonctionnements, empêcher la mise à feu ou, en raison d'une pression trop importante de gaz, endommager voire détruire votre pistolet.

La désignation des munitions adaptées à votre pistolet Q5 Match SF apparaît sur le côté droit du canon (voir 2.3 illustr. 1). Utilisez exclusivement des munitions correspondant à cette désignation et dont la pression de gaz est conforme aux prescriptions de la C.I.P. ou du SAAMI ou autorisée pour l'utilisation avec des armes de la police conformément à la «directive technique pour les balles 9 mm x 19 à substances nocives réduites». Vérifiez les munitions avant de les utiliser. Utilisez seulement des munitions dont l'état est irréprochable. Le pistolet et les munitions forment un ensemble et doivent être adaptés l'un à l'autre. Leur fiabilité dépend mutuellement de chacun des éléments. La vitesse de projection, le poids des projectiles et le poids de l'arme forment différentes combinaisons agissant sur le recul ressenti lors du tir. Un recul trop important du pistolet peut sembler désagréable à certains tireurs.



2.3 illustr. 1

Exemples:

- Poids de l'arme: un poids plus faible de l'arme entraîne un recul trop important.
- Poids du projectile: plus le projectile est lourd, plus le recul est important.
- Vitesse du projectile: une plus grande vitesse de projection amplifie le recul.

Vous pouvez procéder de la manière suivante pour vous habituer à un recul plus important:

- Lors du tir, tenez le pistolet bien calé dans les deux mains.
- Commencez par tirer, parmi les munitions adaptées à votre pistolet, avec celles caractérisées par une vitesse de projection et un poids moins importants.
- Demandez conseil à votre revendeur spécialisé pour le choix de munitions plus faibles, d'une vitesse de projection moins élevés et d'un poids moins important adaptées à votre pistolet.

2 DESCRIPTION DU PRODUIT

2.4 Éléments fonctionnels



Illustration du pistolet avec la culasse ouverte

- 17 Tige du ressort de recul
 18 Bouche
 19 Appellation



- 20 Numéro de Série
 21 Plaque de culasse
 22 Fenêtre d'extraction
 23 Extracteur (indicateur de charge)

Q5 MATCH SF

2 DESCRIPTION DU PRODUIT

2.4.1 Indicateur de charge

L'extracteur sert d'indicateur de charge. Une marque colorée est visible lorsqu'une balle/douille se trouve dans la chambre (2.4.1 illustr. 1).



2.4.1 illustr. 1

ATTENTION

Ne vous fiez pas exclusivement au système de visualisation de l'état de charge lors du contrôle de sécurité. La méthode de contrôle la plus fiable reste de regarder dans la chambre. Pour ce faire, retirez le chargeur du pistolet, tirez la culasse vers l'arrière jusqu'à la butée, bloquez la avec le levier d'arrêt de culasse et regardez dans la chambre.

Maniez toute arme comme si elle était chargée. Un système de visualisation de l'état de charge peut certes vous permettre de savoir si une balle se trouve ou non dans la chambre, mais certains facteurs, tels que la lumière, l'encrassement du pistolet et d'autres influences, peuvent rendre plus difficile la visualisation fiable d'une balle.

2.4.2 Arrêteur de chargeur

L'arrêteur de chargeur se trouve latéralement sur le côté de la poignée.

Utilisation:

Les doigts doivent être en dehors du pontet et ne pas toucher la détente. Appuyez sur l'arrêteur de chargeur et retirez le chargeur (2.4.2 illustr. 1).



2.4.2 illustr. 1

2.4.3 Levier d'arrêt

Bloquer la culasse en position ouverte:

Les doigts doivent être en dehors du pontet et ne pas toucher la détente. Retirez le chargeur puis saisissez la culasse par l'arrière au niveau des cannelures et tirez-la énergiquement vers l'arrière jusqu'à la butée. Si une balle se trouve dans la chambre, celle-ci est alors dégagée et éjectée de la chambre. Tout en maintenant la culasse le plus en arrière possible, poussez le levier d'arrêt vers le haut et faites glisser lentement la culasse vers l'avant jusqu'à ce qu'elle soit tenue par le levier d'arrêt. (2.4.3 illustr. 1).



2.4.3 illustr. 1

2 DESCRIPTION DU PRODUIT

Libérer le levier d'arrêt:

À l'aide du pouce de la main qui tire, poussez le levier d'arrêt vers le bas. La culasse glisse alors vers l'avant.

Pour faciliter l'actionnement du levier d'arrêt avec le pouce, la culasse peut être tirée vers l'arrière pendant que le levier d'arrêt est actionné comme décrit ci-dessus.

2.4.4 Chargeur

Il est possible de voir l'état de charge du chargeur à l'aide des orifices présents dans le boîtier du chargeur (2.4.4 illustr. 1).



2.4.4 illustr. 1

EN

DE

FR

ES

IT

TU

3 UTILISATION

3.1 Contrôle du pistolet

- Avant de procéder au contrôle de votre Q5 Match SF, vérifiez qu'il est bien déchargé : pointez le pistolet dans une direction sûre. Les doigts doivent être en dehors du pontet et ne pas toucher la détente. Actionnez l'arrêteur de chargeur et retirez le chargeur (3.1 illustr. 1).
- Saisissez la culasse par l'arrière au niveau des cannelures (3.1 illustr. 2) et tirez-la énergiquement vers l'arrière jusqu'à la butée. Si une balle se trouve dans la chambre, celle-ci est alors dégagée et éjectée de la chambre. Ne couvrez pas la fenêtre d'extraction car la balle ne pourrait être expulsée comme il se doit.
- Bloquez la culasse en position ouverte: Tout en maintenant la culasse le plus en arrière possible, poussez le levier d'arrêt vers le haut et faites glisser lentement la culasse vers l'avant jusqu'à ce qu'elle soit tenue par le levier d'arrêt (3.1 illustr. 3).
- Assurez-vous que la chambre et le canon sont bien dégagés, secs et propres (3.1 illustr. 4).

Effectuez toujours ce contrôle avant de poser votre Q5 Match SF, de le nettoyer, de le transmettre à une autre personne, de le transporter ou de le ranger.



3.1 illustr. 1



3.1 illustr. 2



3.1 illustr. 3



3.1 illustr. 4

ATTENTION

Ne vous fiez pas exclusivement à la technique. Assurez votre propre sécurité en maniant toute arme avec prudence. Il est de votre responsabilité de respecter toutes les règles de sécurité lorsque vous utilisez des armes.

3 UTILISATION

3.2 Chargement

3.2.1 Remplissage du chargeur

Il est possible de voir l'état de charge du chargeur à l'aide des orifices présents dans le boîtier du chargeur.



3.2.1 illustr. 1



Remarque :

N'utilisez que les chargeurs d'origine pour votre arme. L'utilisation d'autres chargeurs peuvent provoquer des incidents de tir et entraîner des dommages sur votre arme.



ATTENTION

N'essayez pas d'insérer plus de balles que ce qui est indiqué sur le chargeur. Cela pourrait provoquer des dysfonctionnements dans l'alimentation. Ne faites pas usage de la force car cela pourrait endommager le chargeur. Des chargeurs/lèbres de chargeur défectueux provoquent des dysfonctionnements et donc la défaillance du pistolet.

Pour insérer les balles dans le chargeur, poussez vers le bas la partie avant du dispositif d'alimentation avec le fond de la balle et poussez la balle sous les lèvres du chargeur jusqu'à ce que le fond de la balle touche la paroi arrière du chargeur (3.2.1 illustr. 2).

Répétez cette procédure en poussant la balle la plus haute dans le chargeur vers le bas avec le fond de la prochaine balle et le pouce de la seconde main et en poussant ensuite la balle suivante sous les lèvres du chargeur.

Pour effectuer cette opération plus facilement, vous pouvez utiliser la chargette Walther:

Insérez par le haut la chargette sur le chargeur (3.2.1 illustr. 3), poussez la chargette vers le bas et insérez avec l'autre main une balle sous les lèvres du chargeur (3.2.1 illustr. 4). Soulevez légèrement la chargette et poussez complètement la balle sous les lèvres du chargeur (3.2.1 illustr. 5).



3.2.1 illustr. 2



3.2.1 illustr. 3



3.2.1 illustr. 4



3.2.1 illustr. 5

3.2.2 Chargement du pistolet

- Contrôlez le pistolet comme indiqué dans le chapitre 3.1.
- Pointez le Q5 Match SF dans une direction sûre et tenez vos doigts éloignés de la détente, en dehors du pontet. Insérez le chargeur dans son logement jusqu'à ce qu'il s'enclenche. Assurez-vous que le chargeur est bien enclenché en tirant le chargeur vers le bas par le fond. Le chargeur ne doit pas se détacher.
- Tirez la culasse vers l'arrière et laissez-la repartir vers l'avant.

ATTENTION

N'insérez les balles dans la chambre que par l'intermédiaire du chargeur. N'essayez pas d'insérer individuellement des balles dans la chambre par la fenêtre d'extraction. Ce faisant, vous pourriez vous blesser gravement voire mortellement ou encore entraîner la mort d'autres personnes.

AVERTISSEMENT

Le pistolet est désormais prêt à tirer. Votre pistolet et le chargeur sont chargés et un tir sera déclenché lors de l'actionnement de la détente. Dirigez toujours la bouche du pistolet dans une direction sûre et maintenez votre doigt et tout objet éloigné de la détente et en dehors du pontet. Ne déposez jamais une arme chargée.

3.3 Tir avec

- Dirigez la bouche dans une direction sûre et maintenez votre doigt éloigné de la détente et en dehors du pontet jusqu'à ce que vous souhaitiez tirer.
- Profitez de la forme avantageuse de la poignée du Q5 Match SF et saisissez-la le plus haut possible. Cela permet un meilleur maintien de l'arme lors du tir.
- Tout en tenant fermement la poignée du pistolet dans la main, appuyez, à l'aide de votre doigt, frontalement et avec une force croissante, sur la détente jusqu'à ce que le coup parte. Pendant le tir, la culasse recule et expulse la douille. Enfin, la culasse revient vers l'avant et introduit la balle suivante du chargeur dans la chambre.
- Après le tir, éloignez votre doigt de la détente et maintenez-le en dehors du pontet jusqu'à ce que vous soyez prêt pour le prochain tir. Vous pouvez répéter cette procédure jusqu'au dernier tir.
- Après le dernier tir, le dispositif d'alimentation du chargeur actionne le levier d'arrêt et la culasse est arrêtée en position ouverte.

3 UTILISATION

ATTENTION

Lors des séances de tir, veillez à porter une protection auditive et des lunettes de tir. Lors du tir ou de l'actionnement du levier d'arrêt de culasse, la culasse se déplace à grande vitesse et avec une force considérable dans le sens longitudinal. Pour cette raison, veillez à tenir le pistolet de telle manière qu'aucune partie de votre corps ne se trouve sur la trajectoire de la culasse.

3.4 Changement de chargeur

Après le dernier tir, le dispositif d'alimentation du chargeur actionne le levier d'arrêt et la culasse est arrêtée en position ouverte.

- Actionnez l'arrêteur de chargeur et retirez le chargeur.
- Placez un nouveau chargeur
- Tirez la culasse vers l'arrière et laissez-la repartir vers l'avant.

ATTENTION

Le pistolet est à nouveau prêt à tirer. Dirigez toujours la bouche du pistolet dans une direction sûre et maintenez votre doigt et tout objet éloigné de la détente et en dehors du pontet, jusqu'à ce que vous soyez prêt à tirer à nouveau.

3.5 Déchargement

- Pointez le pistolet dans une direction sûre. Les doigts doivent être en dehors du pontet et ne pas toucher la détente. Poussez l'arrêteur de chargeur vers le bas et retirez le chargeur (3.5. illustr. 1).
- Tirez la culasse vers l'arrière et ramenez-la vers l'avant. Saisissez la culasse par l'arrière au niveau des cannelures (3.5. illustr. 2) et tirez-la énergiquement vers l'arrière jusqu'à la butée. Si une balle se trouve dans la chambre, celle-ci est alors dégagée et éjectée. Ce faisant, ne couvrez pas la fenêtre d'extraction, car la balle ne pourrait être expulsée comme il se doit.
- Bloquez la culasse en position ouverte: Tout en maintenant la culasse le plus en arrière possible, poussez le levier d'arrêt vers le haut et faites glisser lentement la culasse vers l'avant jusqu'à ce qu'elle soit tenue par le levier d'arrêt (3.5. illustr. 3).



3.5 illustr. 1



3.5 illustr. 2



3.5 illustr. 3

Q5 MATCH SF

3 UTILISATION

- Regardez dans la chambre (3.5. illustr. 4). La chambre doit être vide. Regardez dans le logement du chargeur. Plus aucune munition ne doit se trouver dans le pistolet.
- Pour décharger le chargeur, tenez-le de telle manière que les projectiles soient dirigés dans la direction opposée à vous. Poussez les balles les unes après les autres vers l'avant pour les faire sortir du chargeur.



3.5 illustr.4

ATTENTION

À chaque fois que vous fermez la culasse alors qu'un chargeur chargé se trouve dans le pistolet, une balle est introduite dans la chambre et le pistolet est à nouveau prêt à tirer.

3.6 Consignes en cas de dysfonctionnement

- En cas de dysfonctionnement, attendez 10 secondes tout en maintenant la bouche du pistolet dans une direction sûre.
- Déchargez le pistolet comme indiqué dans le chapitre «3.5. Déchargement».
- À présent, vous pouvez effectuer un contrôle visuel de la chambre et du canon. La chambre et le canon doivent être vides.

4 DÉMONTAGE, NETTOYAGE, GRAISSAGE ET ENTRETIEN



ATTENTION

Avant toute intervention sur le pistolet, assurez-vous que le pistolet et le chargeur sont déchargés.

4.1 Main Components



ATTENTION

Pour un démontage complet, vous devrez appuyer sur la détente. Si vous n'avez pas déchargé correctement votre arme et si vous avez laissé une balle réelle dans la chambre, le pistolet déclenchera un tir et pourrait provoquer des blessures graves voire mortelles à vous et aux personnes vous entourant, ou encore entraîner des dommages matériels. Par conséquent, vous devez bien contrôler la chambre et le chargeur (en les ouvrant) pour vous assurer qu'ils sont vides avant d'appuyer sur la détente.

4.1.1 Démontage

- Déchargez le pistolet: retirez le chargeur et bloquez la culasse en position ouverte. La chambre et le logement du chargeur doivent être vides.
- Faites pivoter l'arrêtoir de canon dans le sens des aiguilles d'une montre, jusqu'à la butée (4.1.1 illustr. 1).
- Tirez la culasse vers l'arrière et ramenez-la vers l'avant.
- Pointez le pistolet dans une direction sûre et désarmez le mécanisme de percussion en actionnant la détente.
- Éloignez votre doigt de la détente.
- Poussez la culasse vers l'avant de la carcasse.
- Retirez le bloc ressort de recul dans le sens inverse à la pression du ressort de recul (4.1.1 illustr. 2).
- Retirez le canon de la culasse.
- 4.1.1 illustr. 3 montre les éléments principaux du pistolet démonté.



4.1.1 illustr. 1



4.1.1 illustr. 2



4.1.1 illustr. 3

EN

DE

FR

ES

TU

Q5 MATCH SF

4 DÉMONTAGE, NETTOYAGE, GRAISSAGE ET ENTRETIEN

4.1.2 Montage

- Tenez la culasse face inférieure vers le haut. Insérez le canon comme indiqué sur 4.1.2 illustr. 1.
- Insérez le bloc ressort de recul: Placez le bloc ressort de recul dans le logement de la culasse avec la petite extrémité de la tige de guidage du ressort en direction de la bouche puis, contre la pression du ressort de recul, dans le renforcement sur le canon avec l'extrémité arrière (4.1.2 illustr. 1 et 2).
- Insérez les guides de la culasse montée par l'avant, sur les rails avant de la carcasse tout d'abord, puis sur les rails arrière (4.1.2 illustr. 3).
- Tirez la culasse vers l'arrière jusqu'à la butée et bloquez-la avec le levier d'arrêt.
- Faites pivoter l'arrêtoir de canon dans le sens inverse des aiguilles d'une montre jusqu'à la butée du bas.
- Tirez la culasse vers l'arrière et ramenez-la vers l'avant.



4.1.2 illustr. 1



4.1.2 illustr. 2



4.1.2 illustr. 3

4.2 Bloc percuteur

4.2.1 Démontage du bloc percuteur

- Démontez le pistolet en ses éléments principaux (chapitre 4.1.1).
- Appuyez la culasse côté bouche contre un support. Tenez la culasse par les cannelures à l'arrière. Poussez la goupille dans l'ouverture rectangulaire située en haut à droite dans la plaque de culasse à l'aide d'un chasse-goupille de 2 mm jusqu'à la butée (4.2.1 illustr. 1) et poussez légèrement la plaque de culasse vers le bas. Tirez la plaque de culasse (4.2.1 illustr. 2).
- Retirez le bloc percuteur de la culasse (4.2.1 illustr. 3).



4.2.1 illustr. 1



4.2.1 illustr. 2



4.2.1 illustr. 3

4.2.2 Montage du bloc percuteur

- Mettre en place le bloc percuteur (4.2.2 illustr. 1).
- Poussez à l'aide de la plaque de culasse l'extrémité arrière du bloc percuteur vers l'intérieur et poussez la plaque de culasse par le bas dans les guides de la culasse jusqu'à ce qu'elle s'enclenche (cf. 4.2.2 illustr. 2).



4.2.2 illustr. 1



4.2.2 illustr. 2

4.3 Extracteur



Remarque : la sûreté du percuteur ne peut être démontée qu'après le retrait du percuteur de la culasse. Suivez les indications du chapitre 4.2 pour démonter le percuteur.

4.3.1 Démontage de l'extracteur



AVERTISSEMENT

Portez toujours des lunettes de protection. La goupille d'extracteur et la sûreté de percuteur sont soumises à la pression du ressort. Ces pièces peuvent être éjectées lors du démontage de l'extracteur.

- Placez le bloc de culasse devant vous, viseur vers le bas et bouche vers la gauche.
- À l'aide d'un chasse-goupille de 2 mm, poussez la goupille d'extracteur dans la culasse contre la force du ressort (4.3.1 illustr. 1) jusqu'à ce que l'extracteur sorte. Retirez le chasse-goupille.
- Retirez l'extracteur tout en couvrant avec un doigt la sûreté de percuteur et la goupille d'extracteur. Retirez à présent la sûreté du percuteur et l'extracteur de la culasse (4.3.1 illustr. 2).
- Laissez le ressort de pression de l'extracteur dans la culasse. Un filetage à l'extrémité assure la bonne position de ce ressort de pression.



4.3.1 illustr. 1



4.3.1 illustr. 2

Q5 MATCH SF

4 DÉMONTAGE, NETTOYAGE, GRAISSAGE ET ENTRETIEN

4.3.2 Montage de l'extracteur

- Placez la culasse devant vous, viseur vers le bas et bouche vers la gauche.
- Insérez la goupille d'extracteur avec le ressort vers l'avant.
- Pour que le ressort de pression reste dans l'orifice de la sûreté de percuteur, appliquez un peu d'huile pour armes (pas de graisse !) sur le ressort avant d'insérer le ressort de pression dans l'orifice de la sûreté de percuteur. Introduisez la sûreté de percuteur avec son ressort dans le bloc de culasse. Ce faisant, le ressort de pression de la sûreté doit entrer dans l'évidement prévu à cet effet dans la culasse. Lorsqu'elle est correctement positionnée, la sûreté se trouve légèrement au-dessous de la surface de glissement de la balle (4.3.2 illustr. 1).
- Placez l'extrémité longue de l'extracteur à l'arrière sur le rayon de la fente de l'extracteur dans la culasse et, à l'aide du pouce de votre autre main, maintenez l'extracteur contre la goupille d'extracteur dans la culasse. À l'aide d'un chasse-goupille de 2 mm, poussez la goupille d'extracteur vers l'intérieur tout en poussant l'extracteur vers le milieu de la culasse. L'orifice situé sur l'extracteur bloque à présente la goupille d'extracteur et le chasse-goupille peut être retiré (4.3.2 illustr. 2).
- Poussez la sûreté contre la chute vers l'intérieur jusqu'à ce qu'elle s'aligne sur la surface de la culasse. En même temps, poussez l'extracteur vers l'intérieur avec le pouce jusqu'à ce que la goupille d'extracteur s'enclenche dans l'orifice situé sur l'extracteur (4.3.2 illustr. 3).
- Montez le percuteur comme indiqué au chapitre 4.2.2.



4.3.2 illustr. 1



4.3.2 illustr. 2



4.3.2 illustr. 3

4.4 Chargeur

4.4.1 Démontage

ATTENTION

Le ressort du chargeur est comprimé. Des pièces peuvent être éjectées lors du démontage du chargeur. Soyez donc prudent lors du démontage du chargeur. Tenez le support du fond lorsque vous enlevez le fond du chargeur puis retirez avec prudence le support de fond et le ressort du chargeur du boîtier.

4 DÉMONTAGE, NETTOYAGE, GRAISSAGE ET ENTRETIEN

1. Appuyez sur le support de fond, par exemple avec un chasse-goupille de 4 mm, à travers l'orifice prévu dans le fond du chargeur (4.4.1 illustr. 1).

Chargeur avec prolongement:

Pousser complètement le fond de chargeur vers l'arrière jusqu'à la butée sur le boîtier de chargeur. Introduire le bout d'un tournevis plat dans l'ouverture du support de fond à l'arrière du chargeur. Pousser le support de fond en direction des lèvres du chargeur jusqu'à ce que le support de fond sorte (4.4.1 illustr. 2).

2. Poussez le fond vers l'avant et retirez-le du boîtier de chargeur tout en maintenant le support de fond contre la pression du ressort de chargeur.
3. Retirez le support de fond et le ressort de chargeur.
4. Secouez légèrement pour faire sortir le dispositif d'alimentation du boîtier de chargeur.



4.4.1 illustr. 1



4.4.1 illustr. 2

4.4.2 Montage

1. Introduisez tout d'abord le dispositif d'alimentation puis le ressort du chargeur avec le support de fond dans le boîtier de chargeur. Ce faisant, prêtez attention à la bonne orientation des pièces. Les pièces doivent être montées sans faire usage de la force (4.4.2 illustr. 1 et 2).
2. Tout en appuyant le support de fond dans le boîtier de chargeur, poussez, de l'avant, le fond du chargeur jusqu'à ce qu'il s'enclenche de manière audible.



4.4.2 Illustr. 1



4.4.2 Illustr. 2

Chargeur avec prolongement:

Appuyer l'extrémité arrière du support de fond contre la paroi arrière du chargeur depuis l'extérieur tout en maintenant le support de fond appuyé dans le chargeur. Pousser le fond de chargeur de l'avant jusqu'en butée. Appuyer l'extrémité arrière du support de fond dans le chargeur pour que le support de fond s'enclenche.

Q5 MATCH SF

4 DÉMONTAGE, NETTOYAGE, GRAISSAGE ET ENTRETIEN

4.5 Bloc ressort de recul

- Le démontage du bloc ressort de recul n'est pas nécessaire pour l'entretien du pistolet et doit être évité.
- Le bloc ressort de recul étant soumis à une tension de ressort énorme et son démontage demandant force et habileté, il convient de faire preuve d'une prudence particulière lors de cette opération.

4.5.1 Bloc ressort de recul



AVERTISSEMENT

Porter des lunettes de protection.

- Appuyer l'extrémité la plus grande de la tige du ressort de recul contre un support solide et non glissant.



ATTENTION

Une force importante doit être appliquée.

- Dans la partie supérieure, insérer par exemple une clé à fourche de 10 mm entre la deuxième et la troisième spire du ressort et comprimer au maximum le ressort vers le bas (4.5. illustr. 1).
- Saisir la rondelle d'arrêt du ressort et la descendre vers la partie rétrécie de la tige du ressort de recul afin de pouvoir la retirer par le côté fin de la tige. Une légère résistance se fait ressentir lors du retrait. (4.5. illustr. 2). Ne pas faire usage de la force pour retirer la rondelle d'arrêt. Cela pourrait l'endommager.
- Poser la rondelle et laisser le ressort remonter doucement. Empêcher l'éjection du ressort à la petite extrémité de la tige en y plaçant votre pouce. Attention : la force de ressort exercée est élevée ! Saisir le ressort à deux mains, tourner les extrémités dans le sens opposé tout en les écartant afin que le ressort se détache de l'extrémité plus petite de la tige. Ensuite, retirer le ressort de la tige.



4.5.1 illustr. 1



4.5.1 illustr. 2



4.5.1 illustr. 3

4.5.2 Montage du bloc ressort de recul

AVERTISSEMENT

Porter des lunettes de protection.

- Poser le rond Appuyer l'extrémité la plus grande de la tige du ressort de recul contre un support solide et non glissant. Insérer le ressort de recul sur la tige et conduire l'extrémité jusqu'en bas avec la main.
- En plusieurs petites étapes, comprimer le ressort, par exemple avec une clé à fourche de 10 mm, jusqu'à ce que l'extrémité supérieure puisse être comprimée à la main jusqu'au-dessous de l'extrémité de la tige en exerçant une force
- Sécuriser l'extrémité du ressort avec le pouce pendant l'insertion de la clé à fourche entre la deuxième et troisième spire du ressort. Avec cette clé à fourche, comprimer au maximum le ressort vers le bas.
- Saisir la rondelle d'arrêt du ressort et l'insérer par le côté sur la tige au niveau de la partie rétrécie. Une légère résistance se fait ressentir lors de l'insertion. Ne pas faire usage de la force lors de l'insertion de la rondelle d'arrêt. Cela pourrait l'endommager
- Ensuite, relâcher doucement le ressort et retirer la clé à fourche.

4.6 Nettoyage

ATTENTION

Votre pistolet est un instrument de précision. Entretenez-le régulièrement pour garantir son bon fonctionnement.

Avant toute intervention sur le pistolet, assurez-vous que le pistolet et le chargeur sont déchargés.

Le pistolet doit être nettoyé après chaque utilisation ou après avoir été soumis à des conditions climatiques extrêmes. Vous devez également nettoyer le Q5 Match SF lorsque vous tirez pour la première fois avec ce pistolet.

Pour protéger votre Q5 Match SF de la corrosion, celui-ci a été traité soit avec un produit de conservation, soit avec un lubrifiant. Avant d'utiliser le pistolet, essuyez tout excédent d'huile provenant du canon et de la chambre ainsi que sur les surfaces extérieures.

Démontez le pistolet en ses éléments principaux. Nettoyez le canon à l'aide d'une brosse de nettoyage et d'un écouvillon en commençant par la chambre. Enlevez du canon le plomb et les résidus à l'aide d'une brosse en laiton. Le canon et la chambre doivent être propres. Essuyez les surfaces avec un chiffon et des tiges de nettoyage.

Supprimez les résidus se trouvant sur la carcasse, le canon, l'extracteur, le fond du percuteur et sur tous les endroits encrassés à l'aide d'une petite brosse et, le cas échéant, d'un peu d'huile. Après le nettoyage, huilez légèrement le Q5 Match SF.

Si le pistolet doit être utilisé ou rangé dans un environnement froid, utilisez une huile pour armes recommandée pour les utilisations par basses températures.

Q5 MATCH SF

4 DÉMONTAGE, NETTOYAGE, GRAISSAGE ET ENTRETIEN



4.7 illustr. 1

ATTENTION

Suivez le mode d'emploi du produit nettoyant utilisé. Certains produits nettoyants peuvent endommager votre pistolet. Évitez les nettoyages trop longs au bain à ultrasons et à des températures de bain supérieures à 50 °C et ne laissez pas agir les produits trop longtemps. Utilisez exclusivement les huiles pour armes et les produits nettoyants exempts de résine et de substances acides recommandés pour l'entretien des armes. Les solutions ammoniacales et alcalines ne doivent pas être utilisées.

4.7 Graissage

Après le nettoyage du Q5 Match SF, appliquez une fine couche d'huile sur les surfaces extérieures et les pièces fonctionnelles. Utilisez exclusivement une huile pour armes exempte de résine et d'acide.

Veillez à ne pas huiler plus qu'il ne faut. Si des gouttes d'huile se forment ou si de l'huile coule à travers le pistolet, cela signifie que vous avez appliqué trop d'huile.

Un excédent d'huile favorise la concentration des salissures et des restes de fumée dans le pistolet. Cela nuit au bon fonctionnement. Ne pas huiler l'orifice du percuteur (4.7. illustr. 1).

- Canon:

Après le nettoyage du pistolet, huilez les surfaces du canon et la surface de contact entre le canon et la carcasse avec un chiffon imbibé d'huile.

- Carcasse:

Huilez les guides de culasse et la tige de détente avec respectivement une goutte d'huile.

5 ADAPTATION DU PISTOLET À L'UTILISATEUR

- Culasse:
Huilez la sûreté de percuteur et la came de commande avec respectivement une goutte d'huile.
- Chargeur:
Le chargeur doit également être légèrement huilé à l'extérieur.

4.8 Préparation au rangement / stockage

Veillez prendre en compte les dispositions légales en matière de rangement et de stockage d'armes à feu et de munitions en vigueur dans votre région/pays.

Ne conservez pas le pistolet dans quelque chose attirant ou retenant l'humidité (du cuir ou des chiffons épais par exemple).

Si le pistolet doit être stocké pendant une longue période, protégez le canon, la chambre et les pièces internes avec de l'huile pour armes ou un agent conservateur prévu pour les armes.

Les pièces extérieures, la culasse, le canon et le chargeur doivent être traités avec un produit anticorrosion.

Nettoyez le Q5 Match SF avant de le réutiliser. Lors de chaque nettoyage, prêtez également attention aux marques d'usure. En cas de marques d'usure inhabituelles, faites vérifier votre pistolet par un armurier qualifié ou par WALTHER.

5 ADAPTATION DU PISTOLET À L'UTILISATEUR

5.1 Arrêteur de chargeur

L'arrêteur de chargeur peut être passé d'une utilisation du côté droit à une utilisation du côté gauche. Pour faire la modification, une tige de 1 mm de diamètre et un petit tournevis (env. 2,5 mm) sont nécessaires.

1. Maintenez l'arrêteur de chargeur appuyé. Son extrémité opposée dépasse alors de la poignée de l'autre côté et fait apparaître une petite ouverture sur la face arrière. Introduisez la tige de 1 mm dans l'ouverture (5.1 illustr. 1).
2. Enfoncez la tige contre la butée dans l'ouverture. L'assemblage à encliquetage de la plaque sur l'arrêteur de chargeur est ainsi libéré (les pièces individuelles sont représentées au point 5.1 illustr. 2).
3. Soulevez la plaque avec un tournevis et retirez-la (5.1 illustr. 3). S'il est impossible de démonter la plaque, essayez de la soulever avec le tournevis tout en maintenant la tige enfoncée.



5.1 illustr. 1



5.1 illustr. 2



5.1 illustr. 3

EN

DE

FR

ES

TU

Q5 MATCH SF

5 ADAPTATION DU PISTOLET À L'UTILISATEUR

- Retirez l'arrêteur de chargeur (5.1 illustr. 4) et le ressort de pression sur le côté opposé.
- Introduisez le ressort de pression sur le côté à partir duquel l'arrêteur de chargeur doit pouvoir être utilisé (5.1 illustr. 5).
- Introduisez l'arrêteur de chargeur du même côté que précédemment pour le ressort de pression (5.1 illustr. 6).
- Maintenez l'arrêteur de chargeur appuyé pendant que vous replacez la plaque du côté opposé. Appuyez la plaque dans l'arrêteur de chargeur jusqu'à ce qu'elle s'enclenche de manière audible. (5.1 illustr. 7 et 8).



5.1 illustr. 4



5.1 illustr. 5



5.1 illustr. 6



5.1 illustr. 7



5.1 illustr. 8

5.2 Changement des plaquettes de poignée

Dévissez les vis situées sur la plaquette de poignée avec une clé à six pans de taille 2 (5.2 illustr. 1). Déterminez la plaquette de la poignée en la tirant vers l'arrière (5.2 illustr. 2).

Avant de remettre la nouvelle plaquette de poignée, assurez-vous que les quatre guides de chargeur se trouvent bien dans la poignée (5.2 illustr. 3). À présent, insérez la plaquette sur la poignée par l'arrière. Revissez les vis à un couple de 0,6 Nm.



5.2 illustr. 1



5.2 illustr. 2



5.2 illustr. 3

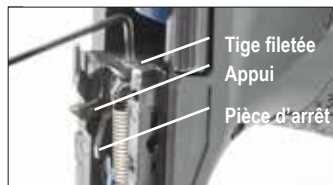
5 ADAPTATION DU PISTOLET À L'UTILISATEUR

5.3 Détonne (Champion)

La détonne Q5 a été ajustée avec précision en usine et allie un fonctionnement sûr de l'arme à un déclenchement sec du tir.

Attention : l'utilisation d'armes, notamment la manipulation de la détonne, peut provoquer de graves blessures voire la mort et risque de causer des dégâts matériels en cas de tir involontaire. WALTHER décline toute responsabilité pour les dommages causés par la manipulation de la détonne. Les travaux d'ajustage, d'entretien et de service doivent être réalisés par WALTHER ou par un personnel qualifié.

Pour réaliser un réglage de base de la détonne, le pistolet est démonté en ses éléments principaux, voir chapitre 4.1.1. Tenez ensuite la poignée dans la main qui ne tire pas, l'extrémité avant étant éloignée du corps. Utilisez alors la clé à tête hexagonale ouverture 1,5 (fournie) pour dévisser la tige filetée du boîtier de la détonne en tournant dans le sens inverse des aiguilles d'une montre. Arrêtez-vous une fois que la tige filetée entre légèrement dans le logement du chargeur (5.3 illustr. 1).



5.3 illustr. 1



5.3 illustr. 2



Remarque : ne dévissez pas complètement la vis filetée hors du boîtier de la détonne.

Il faut ensuite définir à quel réglage la pièce d'arrêt se déclenche. Pour cela, vissez la tige filetée dans le sens des aiguilles d'une montre à l'aide de la clé à tête hexagonale tandis que vous utilisez votre pouce de l'autre main pour presser avec force sur la pièce d'arrêt vers l'avant en direction du logement du chargeur et vers le bas dans le boîtier de la détonne (5.3 illustr. 2). Au point de déclenchement, l'extrémité avant de la pièce d'arrêt va descendre dans le boîtier de la détonne, ce qui déplace l'appui vers l'arrière.

Retirez le pouce de la pièce d'arrêt et tournez la tige filetée d' $\frac{1}{4}$ de tour dans le sens inverse des aiguilles d'une montre. Suite à cette correction, la pièce d'arrêt sous charge doit venir buter clairement en bas et l'appui doit rester en position de repos. Si ce n'est pas encore le cas, tournez à nouveau la vis filetée d' $\frac{1}{4}$ de tour dans le sens inverse des aiguilles d'une montre et réitérez le contrôle sous charge.

En partant de cette position, vissez alors la tige filetée de $\frac{3}{4}$ de tour dans le sens inverse des aiguilles d'une montre.

Puis, remontez le pistolet, voir chapitre 4.1.2. Avant de procéder au test de la détonne, mettez une cartouche inerte pour préserver le percuteur.



Remarque : en cas de faible enclenchement de la pièce d'arrêt, le percuteur n'est plus tendu de manière fiable, ce qui risque de provoquer un tir double. Un fort enclenchement diminue le risque d'un tir double mais il se peut que vous perceviez un point de poussée moins vif.

EN

DE

FR

ES

TU

Q5 MATCH SF

5 ADAPTATION DU PISTOLET À L'UTILISATEUR

5.4 Dispositif de visée

Le guidon et le cran de mire peuvent être remplacés. La position du point d'impact peut être ajustée en hauteur et latéralement. Les dimensions du raccord en queue d'hirondelle sont celles typiques de LPA, à savoir 12 mm x 2 mm x 70°. La hauteur du guidon s'élève à 5,3 mm.



5.4 illustr. 1

Pour régler le dispositif de visée / changer la plaque de montage, le pistolet Q5 Match SF dispose des accessoires suivants (5.4 illustr. 1) :

- Clé six pans surplat 1,5
- Clé six pans surplat 2,5
- 2 vis à six pans creux M3x6
- Tournevis



Avant toute intervention sur le pistolet, assurez-vous que le pistolet et le chargeur sont déchargés.

5.4.1 Le guidon

Démontez le pistolet en ses éléments principaux, comme indiqué au chapitre 4.1.1.

Retirez la vis du guidon à l'aide d'un tournevis (5.4.1 illustr. 1) et détachez le guidon de la culasse en le poussant vers le haut.

Le montage s'effectue dans l'ordre inverse. Essayez l'huile se trouvant sur la vis du guidon et sur le filet dans le guidon. Sécurisez la vis du guidon à l'aide d'une colle industrielle (Loctite 648 p. ex.). Serrez légèrement la vis du guidon (couple d'env. 1 Nm).



5.4.1 illustr. 1

5.4.2 La hausse

Démontez le pistolet en ses éléments principaux, comme indiqué au chapitre 4.1.1.

RÉGLAGE LATÉRAL

Pour un tir trop à gauche, tournez la vis de réglage latéral dans le sens des aiguilles d'une montre, pour un tir trop à droite dans le sens inverse des aiguilles d'une montre. Utilisez à cet effet la petite lame du tournevis fourni (5.4.2 illustr. 1).

Sur une distance de tir de 25 m, le déplacement du point d'impact est d'environ 5 mm par cran.

5 ADAPTATION DU PISTOLET À L'UTILISATEUR

RÉGLAGE EN HAUTEUR

Pour un tir trop haut, tournez la vis de réglage latéral dans le sens des aiguilles d'une montre, pour un tir trop bas dans le sens inverse des aiguilles d'une montre. Utilisez à cet effet la plus grande lame du tournevis fourni (5.4.2 illustr. 2).

Sur une distance de tir de 25 m, le déplacement du point d'impact est d'environ 10 mm par cran.

RETIRER LE CRAN DE MIRE

Démontez le pistolet en ses éléments principaux, comme indiqué au chapitre 4.1.1.

Dévissez les deux tiges filetées du cran de mire à l'aide de la clé six pans ouverture 1,5 (5.4.2 illustr. 3) et détachez le cran de mire de la plaque de montage par le côté.

Le montage s'effectue dans l'ordre inverse. Dégraissez les tiges filetées et le filet dans le cran de mire. Sécurisez les tiges filetées à l'aide d'une colle industrielle (Loctite 648 p. ex.). Vissez légèrement les tiges filetées (couple d'env. 0,6 Nm).

Si le cran de mire est remplacé par un autre cran de mire, veuillez prêter attention aux consignes fournies avec ce nouveau cran de mire.



5.4.2 illustr. 1



5.4.2 illustr. 2



5.4.2 illustr. 3



5.4.2 illustr. 4

EN

DE

FR

ES

TU

5.4.3 Remplacer la plaque de montage

Des plaques de montage pour différents viseurs reflex sont disponibles dans les accessoires. Il est ainsi possible de monter des crans de mire des marques Docter (01), Trijicon (02) et Leupold/DeltaPoint (04). Les plaques de montage portent l'inscription correspondante.



5.4.3 illustr. 1

Avant de changer la plaque de montage, démontez le pistolet en ses éléments principaux, comme indiqué au chapitre 4.1.1. À l'aide de la clé à tête hexagonale surplat 2,5, retirez ensuite les deux vis à six pans creux (5.4.3 illustr. 1). À présent, détachez la plaque de montage de la culasse par le haut.



5.4.3 illustr. 2



Remarque : ne remplacez pas les vis à six pans creux par les vis fournies avec un autre cran de mire. Les vis à six pans creux présentent un filet métrique. Ce sont des vis de taille M3x6. Deux de ces vis sont fournies avec le pistolet en pièces de rechange (5.4.3 illustr. 2). Le filet de ces vis est pourvu d'une sûreté bleue.

Placez par le haut la plaque de montage souhaitée sur la culasse de façon à ce que l'inscription de la plaque de montage se trouve sur la face extérieure. Tirez la plaque de montage en direction de la bouche de l'arme pendant que vous vissez la vis à six pans creux (5.4.3 illustr. 3). Vissez les deux vis (couple d'env. 2 Nm). Prêtez attention aux consignes du fabricant du cran de mire souhaité lors de sa mise en place (5.4.3 illustr. 4).



5.4.3 illustr. 3



5.4.3 illustr. 4

6 CARACTÉRISTIQUES TECHNIQUES

6 CARACTÉRISTIQUES TECHNIQUES

Calibre	9 mm x 19
Capacité du chargeur (min.)	15 balles ^{CDN}
Dimensions (Lo/La/H) (min.)	220 / 36 / 137 mm
Longueur du canon	127 mm
Longueur de rayure	250 mm avec pas à droite
Profilé du canon	Polygonale
Longeur de la ligne de mire	181 mm
Largeur de la hausse	3 mm
Largeur du guidon	2,9 mm
Hauteur du guidon	5,3 mm
Poids, chargeur vide compris	1160 g
Poids du chargeur, vide	80 g
Énergie du projectile E₃, Poids du projectile	500 J 8 g
Type de verrouillage	Système browning sans élément intermédiaire
Système	Percuteur interne
Principe de détente	Quick Defense Trigger
Force/course de détente	25 N / 9 mm (identiques à chaque tir)
Matériaux	Blox de culasse, canon & carcasse acier amélioré haute résistance traité Tenifer®.
Sûretés	Interrupteur, sûreté de détente et de percuteur

Ces indications sont des moyennes. Les valeurs réelles peuvent s'en écarter.

^{CDN} Canada: Capacité du chargeur 10 balles.

Tenifer® is a registered trademark of Duferrit GmbH, Germany.

EN

DE

FR

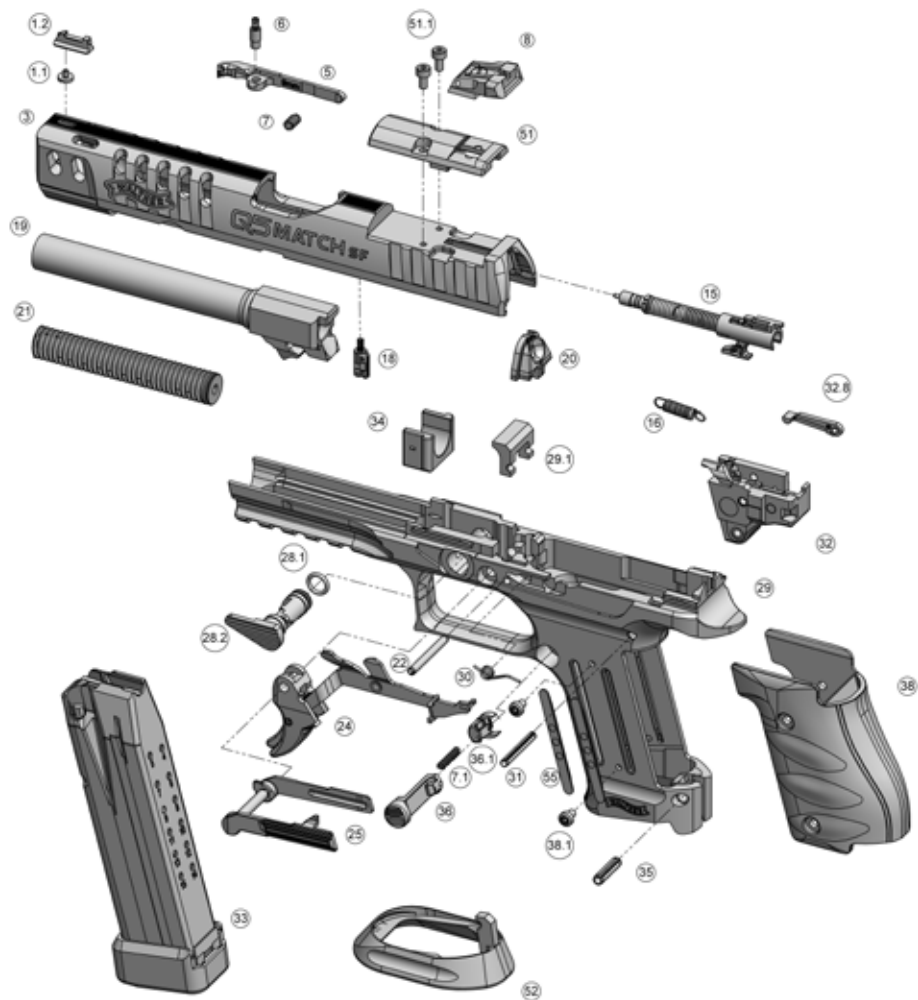
ES

TU

Q5 MATCH SF

7 VUE ÉCLATÉE

7 VUE ÉCLATÉE



8 LISTE DES PIÈCES

8 LISTE DES PIÈCES

No.	Designation	No.	Designation
1.1	Vis de guidon	28.2	Arrêteur de canon
1.2	Guidon	29	Carcasse
3	Bloc de culasse	29.1	Dispositif de blocage poli
5	Extracteur	30	Ressort de levier d'arrêt
6	Goupille d'extracteur, complète	31	Goupille 3x24
7	Ressort pour extracteur	32	Boîtier de détente, monté
7.1	Ressort d'arrêteur de chargeur	32.8	Guide
8	Dispositif de visée	33	Chargeur
15	Percuteur, complet	34	Arrêteur de plateau de culasse avant
16	Ressort de détente	35	Goupille 4x16
18	Sécurité de percuteur, complète	36	Arrêteur de chargeur
19	Canon	36.1	Clip arrêteur de chargeur
20	Plaque de culasse	38	Plaquette de poignée
21	Bloc ressort de recul	38.1	Vis pour plaquette de poignée
22	Goupille 3x28	51	Plaque adaptatrice, dispositif de visée
24	Détente, complète	51.1	Vis pour plaque adaptatrice
25	Levier d'arrêt	52	Entretoise Magwell
28.1	Joint torique arrêteur de canon	55	Guide du chargeur

EN

DE

FR

ES

IT

TU

WALTHER

INSTRUCCIONES DE USO

PISTOLA Q5 MATCH SF

EN

DE

FR

ES

IT

TU



LEA CON ATENCIÓN LAS INSTRUCCIONES Y ADVERTENCIAS DE ESTE MANUAL ANTES DE UTILIZAR EL ARMA.

STEEL FRAME



NOTA

En el presente manual se detallan las instrucciones de uso de la pistola por parte de civiles. Las instrucciones para los cuerpos de seguridad pueden diferir de lo especificado aquí.

A lo largo del manual, las indicaciones de situación, como «izquierda», «derecha», «adelante», «atrás», etc. hacen referencia a una pistola sostenida en una posición de disparo normal, es decir, apuntando en dirección opuesta al tirador, con el cañón en posición aproximadamente horizontal y con la empuñadura dirigida hacia abajo. Las explicaciones de este manual se basan en el uso del arma con la mano derecha. Los usuarios zurdos deben realizar los cambios correspondientes.

Por favor tenga en cuenta que las ilustraciones en estas instrucciones de uso tienen un fin explicativo y pueden diferir las del arma real.

INDICE

1 Instrucciones de seguridad	4
2 Descripción del producto	5
2.1 Descripción de funcionamiento	5
2.2 Contenido del embalaje	5
2.3 Munición	6
2.4 Elementos de manejo y funcionales	7
3 Trato de la pistola	10
3.1 Inspección de la pistola	10
3.2 Cargar	11
3.3 Disparo	12
3.4 Cambio de cargadores vacíos	13
3.5 Descarga de la pistola	13
3.6 Disparo fallido	14
4 Desmontaje, limpieza, lubricación y mantenimiento	15
4.1 Componentes principales	15
4.2 Conjunto del percutor	16
4.3 Extractor	17
4.4 Cargador	18
4.5 Conjunto del resorte recuperador	20
4.6 Limpieza de la pistola	21
4.7 Lubricación	22
4.8 Mantenimiento antes del almacenamiento	23
5 Adaptación de la pistola al usuario	23
5.1 Retén del cargador	23
5.2 Cambio de las cachas	24
5.3 Gatillo	25
5.4 Miras	26
6 Especificaciones técnicas	29
7 Despiece	30
8 Lista de piezas	31

1 INSTRUCCIONES DE SEGURIDAD

- Antes de utilizar la pistola, lea detenidamente este manual de instrucciones para conocer con detalle sus funciones y procedimientos de manipulación. La mayor parte de las operaciones y piezas de la pistola se mencionan una sola vez en este manual. En las secciones correspondientes hallará indicaciones para consultar los capítulos anteriores a fin de obtener más información.
- Antes de disparar, cuando se produzcan fallos de funcionamiento y antes de llevar a cabo una limpieza, compruebe siempre que el arma está descargada (el cargador se ha extraído de la pistola y la recámara está vacía), el ánima del cañón está limpia y no presenta obstrucciones y el cargador está vacío.
- Nunca guarde la munición en el mismo lugar que el arma de fuego. Guarde el arma y la munición por separado y en lugares seguros, de modo que las personas no autorizadas, como los niños, no puedan tener acceso a ellas.
- Trate siempre las armas de fuego como si estuviesen cargadas y pudiesen dispararse al apretar el gatillo. Sujete siempre la pistola de manera que no suponga ningún peligro para usted ni para las personas que se encuentran cerca. Mantenga siempre el arma apuntada en una dirección que resulte segura. No apunte nunca con un arma de fuego a una persona u objeto sobre el que no pretenda disparar, independientemente de que esté cargada o no. No olvide que incluso la pistola más segura puede suponer un peligro si no se maneja debidamente.
- Precaución: mantenga los dedos apartados del guardamonte y del gatillo hasta que alinee las miras de la pistola sobre un objetivo seguro y tome la decisión de disparar. Preste siempre atención al objetivo y a lo que hay tras él.
- No fuerce nunca las piezas de la pistola al utilizarla, examinarla, desmontarla, limpiarla o montarla. Un trato inadecuado del arma puede afectar a su funcionamiento y seguridad. La pistola no debe en ningún caso desmontarse más allá de lo especificado en el presente manual de instrucciones.
- Sólo es posible garantizar la seguridad y el correcto funcionamiento de la pistola cuando tanto ésta como su munición se encuentran en perfecto estado.
- Si sospecha que el arma puede haber resultado afectada por factores externos como la corrosión, una caída, etc., llévela a revisar por un armero cualificado.
- Utilice siempre protección auditiva y gafas de seguridad adecuadas para armas de fuego y asegúrese de que todas las personas que se encuentran en las cercanías también las usan.
- Este arma se ha diseñado para una munición de un tipo y calibre específicos, que se indican en la propia arma. Utilice únicamente munición del calibre indicado para el arma y que cumpla las especificaciones de la Comisión Internacional Permanente para la Prueba de Armas de Fuego Portátiles (CIP) o el Instituto de Fabricantes de Armas y Municiones de Caza Deportiva (SAAMI). Cuando utilice munición recargada, no utilice una presión de gas mayor que permitida por CIP o SAAMI. Una presión excesiva puede dañar o destruir el arma de fuego. Las municiones con velocidades y presiones superiores a

2 DESCRIPCIÓN DEL PRODUCTO

aquellas para las que está diseñada el arma, la someterán a una mayor tensión, causarán un desgaste excesivo y podrían llegar a ocasionar daños graves en ella.

- Antes de cargar el arma limpie siempre el exceso de grasa y aceite y compruebe que el cañón esté limpio y libre de obstrucciones.
- Utilice únicamente piezas de recambio originales Walther.
- Toda operación de mantenimiento o reparación no especificada en este manual debe ser realizada por un armero cualificado utilizando piezas originales WALTHER.
- Cambios inadecuados en el arma pueden afectar la seguridad y fiabilidad de la pistola como también causar heridas graves o incluso la muerte.

CLÁUSULA DE EXENCIÓN DE RESPONSABILIDAD

Extreme siempre las precauciones cuando vaya a manejar un arma. Siempre existe un riesgo de que involuntariamente se produzcan, lesiones personales o incluso la muerte y daños materiales. WALTHER se exime de toda responsabilidad por los daños derivados de un uso inapropiado o contrario a la normativa legal de esta la pistola. Esto mismo es válido para daños derivados de la no observancia de estas instrucciones de uso, del cambio no autorizado de piezas o cualquier otra modificación de la pistola que no esté prevista expresamente en estas instrucciones de uso.

2 DESCRIPCIÓN DEL PRODUCTO

2.1 Descripción del funcionamiento

La pistola semiautomática WALTHER Q5 Match SF dispara a cerrojo cerrado, aprovechando el principio de retroceso corto. Al apretar el gatillo, se libera el percutor y se dispara el cartucho. La presión del gas impulsa el proyectil y lo hace salir del cañón. El impulso resultante provoca un movimiento hacia atrás del cañón y la corredera, que retroceden juntos unos centímetros, hasta que ambos se separan debido un movimiento basculante que hace que la parte posterior del primero descienda y se detenga. La corredera sigue su trayectoria hacia atrás y extrae el cartucho usado de la recámara, expulsándolo por el lado derecho del arma. Una vez que la corredera alcanza el límite de su recorrido, el resorte recuperador la hace avanzar de nuevo, toma un cartucho nuevo del cargador y lo introduce en la recámara. Este mismo movimiento hace avanzar y ascender la recámara y el cañón hasta encajar en la corredera. Suelte el gatillo para que recupere su posición inicial. En este momento, la pistola estará lista para realizar otro disparo.

2.2 Contenido del embalaje

- Pistola en estuche de plástico
- Objetivo de prueba
- Llave Allen SW1.5 / SW2.5
- Tornillos Allen M3x6, 2 uds.
- Cargador de repuesto, 2 uds.
- Manual de instrucciones
- Destornillador
- dispositivo de carga



Nota: el contenido del embalaje puede variar.

2.3 Munición

⚠ ATENCIÓN

No utilice munición que no haya sido diseñada específicamente para ser usada en este arma. Si se utiliza una munición de un tipo o calibre incorrecto, es posible que el arma se encasquille, que no dispare o que se genere una presión excesiva capaz de dañar o destruir el arma, lo que podría causar daños materiales, lesiones e incluso la muerte.

Consulte la designación de calibre indicada en el arma. Esta información muestra el calibre de la munición que se debe usar en este arma de fuego (2.3 Fig. 1). Utilice únicamente munición adecuada para el calibre del arma y que cumpla las especificaciones de CIP o SAAMI o que posea la certificación "Directrices técnicas de proyectil 9mm x 19, sustancia nociva reducida".

Compruebe la munición antes de dispararla y utilice únicamente aquella que se encuentre en perfecto estado.

Un arma de fuego y su correspondiente munición son un sistema y, como tal, deben trabajar conjuntamente. El rendimiento de ambos se encuentra estrechamente relacionado. El retroceso puede verse afectado en gran medida por las distintas combinaciones de velocidad y peso de la bala, así como por el peso del arma. Una fuerza de retroceso elevada puede resultar incómoda para algunos tiradores.



2.3 Fig. 1

Por ejemplo:

- Peso del arma: a menor peso del arma, mayor retroceso.
- Peso de la bala: a mayor peso de la bala, mayor retroceso.
- Velocidad de la bala: a mayor velocidad de la bala, mayor retroceso.

Para acostumbrarse a un retroceso mayor, pruebe lo siguiente:

- Sujete firmemente el arma con las dos manos al disparar.
- Comience con la munición adecuada para su arma, con proyectil de poco peso y de menor velocidad.
- Solicite en su armería la bala de menor potencia, velocidad y peso para su arma.

2 DESCRIPCIÓN DEL PRODUCTO

2.4 Elementos funcionales



La imagen muestra la pistola con la corredera abierta

- 17 Guía del resorte de recuperación
 18 Boca
 19 El modelo



- 20 Número de serie
 21 Tapa de extremo de corredera
 22 Ventana de expulsión
 23 Extractor (indicador de carga de la recámara)

Q5 MATCH SF

2 DESCRIPCIÓN DEL PRODUCTO

2.4.1 Indicador de carga de la recámara

Cuando la parte posterior del extractor aparece hundida, es señal de que hay un cartucho o casquillo en la recámara. El indicador tiene forma de marca de color rojo (2.4.1 Fig. 1).



2.4.1 Fig. 1

ATENCIÓN

No confíe exclusivamente en el indicador de carga de la recámara para verificar la presencia de un cartucho en ella. El método más seguro para determinar la presencia o ausencia de un cartucho en la recámara consiste en inspeccionar visualmente la recámara del arma extrayendo el cargador y tirando de la corredera hasta dejarla en posición abierta y bloqueada.

ATENCIÓN

Trate siempre las armas de fuego como si estuviesen cargadas y pudiesen dispararse al apretar el gatillo. El indicador de carga de la recámara puede ayudarle a determinar si ésta se encuentra cargada o no, pero la cantidad de luz, la limpieza de la pistola, la decoloración de la munición y otros factores pueden limitar la efectividad de este indicador.

2.4.2 Retén del cargador

El retén del cargador se encuentra en la parte lateral de la empuñadura.

Manejo:

L El dedo se encuentra fuera del guardamonte y no toca el gatillo. Presione el retén del cargador y extraiga el cargador (2.4.2 Fig. 1).



2.4.2 Fig. 1

2.4.3 Palanca de retención

Bloqueo de la corredera en posición abierta:

Sujete la pistola con el dedo fuera del guardamonte y sin apoyarlo en el gatillo. Presione el retén del cargador y extraiga este último.

Sujete la corredera desde detrás, por los laterales aserrados, con el pulgar y los dedos mientras sostiene la pistola y tire completamente hacia atrás con firmeza para extraer cualquier cartucho que pudiera encontrarse en la recámara y vaciar la pistola.

Para bloquear la corredera en posición abierta, deje que ésta avance ligeramente desde la posición totalmente retrasada mientras presiona hacia arriba la palanca de retención (2.4.3 Fig. 1).



2.4.3 Fig. 1

2 DESCRIPCIÓN DEL PRODUCTO

Liberación de corredera mediante la palanca de retención:

Empuje la palanca de retención de la corredera hacia abajo con el pulgar de la mano de disparo para liberar la corredera y dejar que vuelva a moverse totalmente hacia adelante. Para manejar con mayor facilidad la corredera, sujete los laterales aserrados de ésta desde detrás y tire de ella hacia atrás mientras mantiene presionada la palanca de retención a fin de liberar la corredera y permitir que avance hasta la posición totalmente adelantada.

2.4.4 Cargador

A través de los orificios en el cuerpo del cargador es posible ver el estado de carga del cargador (2.4.4 Fig. 1).



2.4.4 Fig. 1

EN

DE

FR

ES

IT

TU

3 TRATO DE LA PISTOLA

3.1 Inspección de la pistola

- Antes de realizar la inspección de la Q5 Match SF pistola hay que comprobar que la pistola se encuentra descargada. Apunte la boca del cañón en una dirección segura. El dedo deberá estar fuera del guardamonte y alejado del gatillo. Presione el retén del cargador y extraiga el cargador (3.1 Fig. 1).
- Sujete la corredera desde detrás por los laterales aserrados con el pulgar y los dedos, según se muestra en 3.1 Fig. 2, y tire completamente hacia atrás con firmeza para extraer cualquier cartucho que pudiera encontrarse en la recámara y vaciar la pistola. No obstruya la ventana de expulsión, ya que podría impedir la salida del cartucho.
- Bloquee la corredera en posición abierta. Para ello, deje que ésta avance un poco desde la posición totalmente retrasada mientras presiona hacia arriba la palanca de retención (3.1 Fig. 3).
- Examine la recámara para asegurarse de que está descargada e inspeccione visualmente el ánima a fin de comprobar de que está limpia, seca y libre de obstrucciones (3.1 Fig. 4).

Es necesario llevar a cabo este procedimiento cada vez que se desmonta, se limpia, se recibe o entrega a otra persona, se transporta o se almacena.



3.1 Fig. 1



3.1 Fig. 2



3.1 Fig. 3



3.1 Fig. 4

ATENCIÓN

Nunca confíe exclusivamente en las características mecánicas. Sólo el trato correcto del arma puede garantizar un uso seguro de la misma. Recuerde, es su responsabilidad.

3 TRATO DE LA PISTOLA

3.2 Carga

3.2.1 Cargar el cargador

Una vez extraído el cargador de su alojamiento, es posible ver el número de cartuchos restantes en el mismo a través de los orificios.



3.2.1 Abb. 1



AVISO:

Utilice únicamente los cargadores de esta pistola. Si se utilizan otros cargadores se pueden producir interrupciones y daños a la pistola y al cargador (3.2.1 Fig. 1).



ATENCIÓN

No intente introducir en el cargador un número de cartuchos superior al especificado, ya que esto podría dar lugar a un fallo de alimentación.

No aplique una fuerza excesiva para evitar dañar el cargador. Los cargadores defectuosos pueden dar lugar a fallos de funcionamiento e inutilizar la pistola.

Para llenar el cargador, presione el culote de un cartucho (su parte trasera) hacia abajo sobre la parte delantera del elevador (o sobre el cartucho en caso de que haya uno previamente cargado) y deslícelo completamente bajo los labios del cargador hasta que el culote del cartucho se encuentre apoyado contra la parte posterior del cargador. Repita el procedimiento tantas veces como cartuchos desee cargar, respetando siempre el límite de capacidad del cargador (3.2.1 Fig. 1).

El proceso de carga puede simplificarse gracias al dispositivo de ayuda de carga para cargadores de WALTHER: Coloque el dispositivo de carga sobre el cargador, con su lateral más largo hacia atrás (3.2.1 Fig. 2). Presione hacia abajo el dispositivo de carga e introduzca un cartucho con la otra mano (3.2.1 Fig. 3). Deje que el dispositivo de carga vuelva a subir. Empuje el cartucho totalmente hacia adentro con la mano (3.2.1 Fig. 4). Repita el procedimiento tantas veces como cartuchos desee cargar, respetando siempre el límite de capacidad del cargador.



3.2.1 Fig. 2



3.2.1 Fig. 3



3.2.1 Fig. 4



3.2.1 Fig. 5

3.2.2 Carga de la pistola

- Examine la pistola, tal y como se describe en la sección 3.1.
- Sujete la pistola con el dedo fuera del guardamonte y apartado del gatillo, apuntando el arma en una dirección segura. Introduzca el cargador cargado en su alojamiento hasta que quede sujeto en su posición. Para asegurarse de que el cargador está introducido por completo y de forma segura, tire hacia abajo de la parte visible de la tapa inferior del cargador. Si está debidamente introducido, no debe moverse.
- Tire de la corredera completamente hacia atrás y suéltela para que se desplace totalmente hacia adelante.

ATENCIÓN

Cargue siempre un cartucho en la recámara trasladándolo desde el cargador. En caso contrario, el usuario del arma o las personas que se encuentran cerca podrían resultar heridas de gravedad o incluso muertas. Nunca intente cargar la pistola introduciendo un cartucho por la ventana de expulsión abierta.

PRECAUCIÓN

En este momento, la pistola está cargada y lista para disparar. La pistola está cargada con un cartucho y se disparará si se aprieta el gatillo. No olvide que la pistola debe apuntar siempre en una dirección segura y que ha de mantener en todo momento los dedos y cualquier otro objeto alejados del gatillo y fuera del guardamonte hasta que decida disparar el arma. Nunca permita que el arma de fuego cargada quede fuera de su control directo.

3.3 Disparo

- Apunte siempre con el arma en una dirección segura y mantenga el dedo fuera del guardamonte hasta que esté listo para disparar.
- La forma de sujetar el arma afecta al control del retroceso y del gatillo. El armazón de la Q5 Match SF ofrece un gran nivel de control, que permite al tirador disponer de un agarre elevado, muy cercano al eje del ánima del arma.
- Mientras sujeta con firmeza el arma por la empuñadura, coloque el dedo sobre la superficie frontal del gatillo y muévalo lentamente. Apriete el gatillo hasta que éste alcance su límite de recorrido. Cuando el gatillo llega atrás, el percutor se libera y golpea al fulminante. Al disparar, la corredera se mueve hacia atrás para extraer y expulsar la vaina del cartucho usado. A continuación, la corredera vuelve hacia adelante e introduce el siguiente cartucho del cargador en la recámara del cañón.
- Tras disparar, debe dejar que el gatillo regrese a su posición original antes de disparar de nuevo. Mantenga el dedo apartado del gatillo y fuera del guardamonte hasta que esté listo para disparar de nuevo. Puede repetir esta secuencia de pasos hasta disparar todos los cartuchos.
- En ese momento, el elevador presiona hacia arriba la palanca de retención para mantener la corredera bloqueada en posición abierta.

3 TRATO DE LA PISTOLA

⚠ PRECAUCIÓN

Utilice siempre protección auditiva y gafas de seguridad adecuadas para armas de fuego. Al disparar la pistola o soltar la palanca de retención para liberar la corredera, ésta se moverá con una fuerza y velocidad considerables. A fin de evitar lesiones, asegúrese de que ninguna parte de su cuerpo se encuentra en la trayectoria de la corredera.

3.4 Cambio de cargadores vacíos

Tras disparar el último cartucho, el elevador presiona hacia arriba la palanca de retención para mantener la corredera bloqueada en posición abierta.

- **Presione el retén del cargador y extraiga este último.**
- **Para seguir disparando, introduzca otro cargador con munición.**
- **Tire de la corredera completamente hacia atrás y suéltela para que se desplace totalmente hacia adelante.**

⚠ PRECAUCIÓN

la pistola quedará lista para disparar. Apunte siempre en una dirección segura, y no olvide mantener el dedo fuera del guardamonte y apartado del gatillo hasta que esté listo para disparar.

3.5 Descarga de la pistola

- Apunte el arma en una dirección segura. Mantenga el dedo apartado del gatillo y fuera del guardamonte. Presione el retén del cargador y extraiga este último (3.5 Fig. 1).
- Sujete la corredera desde detrás por los laterales aserrados con el pulgar y los dedos (3.5 Fig. 2) y tire completamente hacia atrás con firmeza para extraer cualquier cartucho que pudiera encontrarse en la recámara y vaciar la pistola. No obstruya la ventana de expulsión, ya que podría impedir la salida del cartucho.
- Bloquee la corredera en posición abierta. Para ello, deje que la corredera avance un poco desde la posición totalmente retrasada mientras presiona hacia arriba la palanca de retención (3.5 Fig. 3).



3.5 Fig. 1



3.5 Fig. 2



3.5 Fig. 3

Q5 MATCH SF

3 TRATO DE LA PISTOLA

- Examine visualmente la recámara para asegurarse de que está vacía (3.5 Fig. 4). Mire en la recámara y en el alojamiento del cargador. Compruebe que no queda munición en la pistola.
- Descargue el cargador. Para ello, sujételo de modo que el extremo a través del que se cargan los cartuchos no apunte hacia usted y presione cada cartucho hacia adelante y afuera del cargador.



3.5 Fig. 4

⚠ ATENCIÓN

recarga.

Recuerde también que cada vez que libera la corredera mientras la pistola contiene un cargador con cartuchos, el arma se

3.6 Solucionar fallos de disparo

- Si un cartucho no se dispara, espere 10 segundos mientras apunta en una dirección segura.
- Siga el procedimiento especificado en la sección 3.5, “Descarga de la pistola”.
- Transcurrido ese tiempo, puede examinar con seguridad la recámara del cañón e inspeccionar visualmente el cañón en busca de obstrucciones. Asegúrese de que no haya cartuchos en la recámara ni obstrucciones en el cañón.

4 DESMONTAJE, LIMPIEZA, LUBRICACIÓN Y MANTENIMIENTO

ATENCIÓN

Asegúrese de que el arma está descargada (el cargador se ha extraído de la pistola y la recámara está vacía) y el cargador está vacío.

4.1 Componentes principales

ATENCIÓN

Para desmontar, se debe apretar el gatillo. Por lo tanto si usted no ha descargado la pistola correctamente y ha quedado algún cartucho en la recámara, la pistola podría dispararse causándole a usted o a otras personas graves lesiones e incluso la muerte, además de daños materiales. Por ello, usted debe la recámara y el cargador para revisarlos minuciosamente y asegurarse de que están vacíos antes de apretar el gatillo.

4.1.1 Desmontaje

- Extraiga el cargador y descargue la pistola. Bloquee la corredera en posición abierta. Mire en la recámara y en el alojamiento del cargador. Compruebe que no queda munición en la pistola.
- Gire el bloqueo del cañón en el sentido de las agujas del reloj hacia arriba hasta el tope (4.1.1 Fig. 1).
- Para ello, tire ligeramente hacia atrás de la corredera y suéltela para que regrese a la posición adelantada.
- Oriente la boca del cañón en una dirección segura y desamartille el mecanismo percutor accionando el gatillo.
- Retire el dedo del gatillo.
- Lleve la corredera hacia adelante y extráigala del armazón.
- Extraiga el conjunto de guía del resorte recuperador de debajo del cañón mientras aprieta el resorte (4.1.1 Fig. 2).
- Quite el cañón de la corredera.
- Los componentes principales de la pistola se muestran en 4.1.1 Fig. 3.



4.1.1 Fig. 1



4.1.1 Fig. 2



4.1.1 Fig. 3

Q5 MATCH SF

4 DESMONTAJE, LIMPIEZA, LUBRICACIÓN Y MANTENIMIENTO

4.1.2 Montaje

- Sujete la corredera en posición invertida. Coloque el cañón en su interior, con los tetones en la posición que se indica en 4.1.2 Fig. 1.
- Introduzca el conjunto de guía del resorte recuperador: Coloque el extremo más pequeño de la guía del resorte recuperador en la parte delantera de la corredera, y luego inserte el extremo más grande en el receso inferior del cañón, manteniendo la presión del resorte (4.1.2 Fig. 1 y 2).
- Empuje la corredera desde el frontal e introdúzcala en las guías que a tal fin presenta el armazón (4.1.2 Fig. 3).
- Tire la corredera hacia atrás hasta el tope y bloquéela con la palanca de retenida de la corredera.
- Gire el bloqueo del cañón en sentido contrario a las agujas del reloj hacia abajo hasta el tope.
- Tire la corredera hacia atrás y suéltela para que se desplace hacia adelante.



4.1.2 Fig. 1



4.1.2 Fig. 2



4.1.2 Fig. 3

4.2 Conjunto del percutor

4.2.1 Desmontaje del conjunto del percutor

- Desmonte la pistola en sus componentes principales (cap. 4.1.1).
- Apoye la boca de la corredera sobre una superficie lisa y plana. Sujete la corredera por las estrías laterales traseras. Empuje el pasador en el agujero cuadrado, situado en la parte superior derecha de la tapa de la corredera, usando un punzón de 2 mm (4.2.1 Fig. 1) y quite la tapa de la corredera deslizándola ligeramente hacia abajo (4.2.1 Fig. 2).
- Saque el conjunto del percutor de la corredera (4.2.1 Fig. 3).



4.2.1 Fig. 1



4.2.1 Fig. 2



4.2.1 Fig. 3

4 DESMONTAJE, LIMPIEZA, LUBRICACIÓN Y MANTENIMIENTO

4.2.2 Instalación del conjunto del percutor

- Inserte el conjunto del percutor (consulte 4.2.2 Fig. 1).
- Utilice la tapa del extremo de la corredera para empujar el conjunto del percutor hacia el interior de la corredera y vuelva a introducir la tapa del extremo de la corredera desde la parte inferior de ésta hasta que encaje en su lugar (consulte 4.2.2 Fig. 2).



4.2.2 Fig. 1



4.2.2 Fig. 2

4.3 Extractor



NOTA:

El seguro del percutor sólo se deberá desmontar después de retirar el percutor de la corredera. Siga las instrucciones del capítulo 4.2 para desmontar el percutor.

4.3.1 Desmontaje del extractor



ATENCIÓN

Use gafas protectoras. El émbolo extractor y el seguro del percutor están bajo presión del muelle. Al desmontar el extractor puede que algunas piezas salgan despedidas.

- Coloque la corredera en posición invertida, con la boca apuntando hacia la izquierda.
- Presione el émbolo del extractor con un punzón de 2 mm contra la fuerza del resorte dentro de la corredera (4.3.1 Fig. 1) hasta que salte el extractor. Quite el punzón.
- Cubra con un dedo el seguro del percutor y el émbolo del extractor para que no salten mientras desmonta el extractor. Retire ahora el seguro del percutor y el extractor de la corredera (4.3.1 Fig. 2).
- No quite el muelle de su asiento dentro de la corredera. El ajuste seguro este muelle viene dado por una espiral final grande.



4.3.1 Fig. 1



4.3.1 Fig. 2

4.3.2 Instalación del extractor

- Coloque la corredera en posición invertida, con la boca apuntando hacia la izquierda.
- Coloque el émbolo del extractor con el muelle por delante.



4.3.2 Fig. 1

- Asegure el muelle en el agujero del seguro del percutor para que no se caiga, aplicando algo de aceite para armas (no grasa) en el muelle, antes de insertar el muelle en el agujero del seguro del percutor. Coloque el seguro del percutor con el muelle en la corredera. Asegúrese de que el resorte del seguro entre en la muesca, prevista para ello, de la corredera. La posición será correcta si el seguro se encuentra ahora ligeramente debajo de la superficie de deslizamiento del cartucho (4.3.2 Fig. 1).



4.3.2 Fig. 2

- Coloque el extremo largo del extractor en la ranura del mismo en la corredera y empuje el extractor con el pulgar de la otra mano contra el émbolo del extractor en la corredera. Presione hacia dentro el émbolo del extractor con un punzón de 2 mm, mientras que empuja el extractor en dirección del centro de la corredera. El ojete del extractor bloquea ahora el émbolo del extractor y se puede sacar el punzón (4.3.2 Fig. 2).



4.3.2 Fig. 3

- Presione hacia dentro el seguro del percutor, hasta que quede a ras con la superficie de la corredera. Al mismo tiempo, presione el extractor con el dedo pulgar hasta que el émbolo encaje en el agujero del extractor (4.3.2 Fig. 3).
- Monte el percutor como se describe en el capítulo 4.2.2.

4.4 Cargador

4.4.1 Desmontaje

ATENCIÓN

Utilice siempre protección ocular adecuada al desmontar el cargador. Proceda con mucho cuidado al desmontar el cargador. El muelle del cargador está sometido a una elevada presión. Vigile el retén de la tapa inferior y el muelle mientras desmonta esta última, ya que pueden salir despedidos y causar lesiones.

4 DESMONTAJE, LIMPIEZA, LUBRICACIÓN Y MANTENIMIENTO

1. Utilice un punzón de 4 mm para presionar el retén de la tapa inferior a través del orificio de ésta (4.4.1 Fig. 1).

Cargador con extensión:

Deslice la base del cargador completamente hacia atrás hasta su tope en la caja del cargador. Introduzca la punta roma de un destornillador en el orificio del retén de la base del cargador, en la parte posterior del cargador. Deslice el retén de la base del cargador en dirección de los labios del cargador hasta que salte el retén (4.4.1 Fig. 2).

2. Deslice la tapa inferior hacia adelante y extraígalas del cuerpo del cargador mientras mantiene presionado el retén de la tapa.
3. Saque el retén de la tapa y el muelle del cuerpo del cargador con mucho cuidado a través de la parte inferior del cargador.
4. Coloque el cuerpo con la parte derecha hacia arriba y extraiga el elevador a través de la parte inferior del cuerpo.



4.4.1 Fig. 1



4.4.1 Fig. 2

4.4.2 Montaje

1. Monte de nuevo el elevador, el muelle del cargador y el retén de la tapa inferior en orden inverso en el cuerpo con la misma orientación que tenían antes de ser desmontados (4.4.2 Fig. 1 y 2). No aplique una fuerza excesiva al montar el cargador.
2. Mientras presiona el retén de la tapa inferior en el cuerpo, deslice la tapa en el cuerpo de modo que la prominencia redondeada de ésta encaje en el orificio de la tapa. En ese momento podrá oír un clic característico.



4.4.2 Fig. 1



4.4.2 Fig. 2

Cargador con extensión

Desde afuera, ponga el extremo posterior del retén de la base del cargador contra la pared posterior del cargador, mientras que mantiene presionado el retén de la base del cargador en el cargador. Deslice la base del cargador desde la parte delantera hasta el tope. Presione el extremo posterior del retén de la base del cargador en el cargador para que encaje en posición.

4.5 Conjunto del resorte recuperador

- No es necesario desmontar el resorte recuperador para realizar el mantenimiento de la pistola, por lo tanto, evite desmontarlo.
- El conjunto del resorte recuperador está sometido a una enorme tensión y el desmontaje requiere mucha fuerza y la habilidad adecuada, por lo que se requiere un cuidado especial.

4.5.1 Desmontaje del conjunto del resorte recuperador



ATENCIÓN

Use gafas de seguridad.

- Apoye el extremo grande la varilla del resorte recuperador sobre una superficie antideslizante.



PRECAUCIÓN

Para el desmontaje se requiere un gran esfuerzo.

- Coloque una llave de boca de 10 mm arriba en el muelle, entre la segunda y la tercera espira, y empuje el resorte hacia abajo hasta el tope (4.5.1 Fig. 1).
- Agarre la arandela del resorte recuperador y llévela hacia abajo, hasta que se pueda retirar lateralmente en el punto más delgado de la varilla del resorte recuperador, venciendo una ligera resistencia (4.5.1 Fig. 2). No aplique fuerza al retirar la arandela de resorte recuperador, pues podría dañar la arandela.
- Deposite la arandela y lleve el resorte recuperador lentamente hacia arriba. Con el pulgar, asegure el extremo más pequeño de la varilla del resorte recuperador para evitar que salte el resorte. Atención: ¡La fuerza del resorte es muy alta! Agarre el resorte con ambas manos, gire de los extremos en direcciones contrarias y sepárelos al mismo tiempo para que el resorte se separe del extremo pequeño de la varilla. A continuación, retire el resorte de la varilla.



4.5.1 Fig. 1



4.5.1 Fig. 2



4.5.1 Fig. 3

4 DESMONTAJE, LIMPIEZA, LUBRICACIÓN Y MANTENIMIENTO

4.5.2 Montaje del conjunto de resorte recuperador



ATENCIÓN

Use gafas de seguridad.

- Apoye el extremo grande de la varilla del resorte recuperador sobre una base antideslizante. Con la mano, deslice el extremo del resorte recuperador sobre la varilla del resorte hasta el fondo.
- Comprima el resorte en pequeños pasos, por ejemplo usando una llave de 10 mm, hasta que pueda presionar el extremo superior del resorte sobre el extremo de la varilla aplicando la fuerza adecuada.
- Fije el extremo del resorte con el pulgar, mientras coloca la llave de boca entre la segunda y la tercera espira del resorte aproximadamente. Empuje el resorte hacia abajo hasta el tope con la llave de boca.
- Agarre la arandela del resorte recuperador y empújela sobre la parte más delgada de la varilla, desde la parte lateral, venciendo una ligera resistencia. No aplique fuerza al empujar la arandela del resorte recuperador, pues podría dañar la arandela.
- Por último, suelte lentamente el resorte y retire la llave de boca.

4.6 Limpieza de la pistola



ATENCIÓN

Esta arma de fuego es un instrumento de precisión. Para garantizar un funciona-miento óptimo es necesario seguir un procedimiento de mantenimiento rutinario.

Asegúrese de que el arma está descargada (el cargador se ha extraído de la pistola y la recámara está vacía) y el cargador está vacío.

Es conveniente limpiar la pistola tras cada uso o en aquellos casos en los que haya quedado expuesta a condiciones climáticas extremas. Además, antes de usarla por primera vez, es recomendable limpiar el arma. A fin de protegerla contra la corrosión, el arma ha sido tratada con un conservante o aceite. Antes de utilizarla, es necesario eliminar todo el exceso de aceite del ánima, la recámara y las áreas expuestas usando un paño limpio.

Desmunte la pistola. Partiendo del extremo de la recámara, cepille el ánima del cañón y la recámara con un disolvente para pólvora y un cepillo adecuado. Elimine el plomo y los residuos de los disparos del interior del cañón con un cepillo de latón hasta que el ánima y la recámara queden completamente limpios. Limpie el arma con un paño.

Utilizando un cepillo pequeño mojado en disolvente, elimine todos los restos de los alrededores del cañón, la recámara, el extractor y las zonas adyacentes que hayan estado expuestas a la acción de la pólvora o al residuo del fulminante. Elimine todos los residuos del armazón con un cepillado ligero y disolvente. Una vez finalizada la limpieza, aplique una ligera capa de aceite para armas de gran calidad a todas las superficies metálicas externas y frote bien hasta limpiarlas. Si tiene previsto usar o guardar el arma en un clima frío, recuerde que debe utilizar un aceite que no se congele a bajas temperaturas.

Q5 MATCH SF

4 DESMONTAJE, LIMPIEZA, LUBRICACIÓN Y MANTENIMIENTO



4.7 Fig. 1

PRECAUCIÓN

Siga siempre las instrucciones incluidas con el limpiador y el lubricante de armas. Algunos limpiadores pueden causar daños a la pistola. No introduzca la pistola en disolvente ni la limpie por medios ultrasónicos durante periodos de tiempo prolongados (la temperatura máxima para limpiezas ultrasónicas es de 50 °C).

Utilice únicamente disolventes diseñados específicamente para el mantenimiento de armas de fuego. Si no se tienen en cuenta estas precauciones, el acabado del arma puede resultar dañado. No se deben usar disolventes amoniacados ni otros disolventes alcalinos fuertes con armas WALTHER.

4.7 Lubricación

Tras limpiar toda la pistola, utilice un paño para aplicar una capa fina de aceite de gran calidad para armas a todas las superficies metálicas externas y frote hasta limpiarlas.

No lubrique la pistola hasta el extremo de que el aceite llegue a gotear o chorrear, ya que en el exceso de lubricante pueden quedar atrapadas grandes cantidades de suciedad, pólvora no quemada y residuos que pueden entorpecer el correcto funcionamiento del arma. Recuerde que en ningún caso debe entrar aceite en el canal del percutor (4.7 Fig. 1).

• Cañón:

Aplique con un paño una capa ligera de aceite de alta calidad a todas las superficies externas y a la rampa donde el conjunto de bloqueo eleva el cañón.

• Armazón:

Es conveniente aplicar una capa fina de aceite de gran calidad para armas al mecanismo. Ponga sólo una gota de aceite en las guías de la corredera y en la barra del gatillo.

5 ADAPTACIÓN DE LA PISTOLA AL USUARIO

- **Corredera:**

Ponga sólo una gota de aceite en los puntos marcados en la figura.

- **Cargador:**

Aplique una capa ligera de aceite de alta calidad para armas a todas las superficies metálicas externas.

4.8 Mantenimiento antes del almacenamiento

Debe cumplir en todo momento la normativa referente al almacenamiento de armas de fuego. Por ello, es obligatorio que conozca toda la legislación local, regional y nacional relativa al almacenamiento seguro de armas de fuego y munición. Al almacenar el arma, no la guarde en un lugar que pueda atraer o retener la humedad como, por ejemplo, cuero o tejidos gruesos. Si va a almacenar el arma durante un periodo prolongado, es recomendable engrasar el ánima, la recámara y el mecanismo interno con un aceite lubricante de alta calidad o un conservante para armas de fuego.

Debe aplicarse una capa de aceite anticorrosión a los mecanismos externos, la corredera, el cañón y el cargador.

Antes de usar el arma de nuevo, no olvide limpiarla. Cada vez que limpie el arma compruebe si hay señales de desgaste. De ser así, no utilice el arma. Envíela a WALTHER para que sea reparada o llévela a un armero cualificado para que la revise.

5 ADAPTACIÓN DE LA PISTOLA AL USUARIO

5.1 Retén del cargador

El retén del cargador se puede adaptar tanto a tiradores diestros como zurdos. Para este ajuste se requiere un botador de 1 mm y un destornillador pequeño (2,5 mm aprox.).

1. Mantenga presionado el retén del cargador. Su extremo opuesto sale de la empuñadura y deja libre un agujero pequeño en la parte posterior. Introduzca un botador de 1 mm en el agujero (5.1 Fig. 1).
2. Presione el botador en el agujero. Esto hace que se suelte la unión rápida de la tapa en el retén del cargador (5.1 Fig. 2).
3. Levante la tapa con un destornillador y extráigala (5.1 Fig. 3). Si la tapa no se puede quitar, trate de levantar la tapa con el destornillador mientras presiona el botador en el agujero.



5.1 Fig. 1



5.1 Fig. 2



5.1 Fig. 3

EN

DE

FR

ES

TU

Q5 MATCH SF

5 ADAPTACIÓN DE LA PISTOLA AL USUARIO

4. Extraiga el retén del cargador (5.1 Fig. 4) y el resorte desde el lado opuesto.
5. Coloque el resorte en el lado desde el cual se deberá manejar el retén del cargador (5.1 Fig. 5).
6. Introduzca el retén del cargador por el mismo lado que el resorte anteriormente (5.1 Fig. 6).
7. Mantenga presionado el retén del cargador mientras que coloca la tapa desde el lado opuesto. Presione la tapa en el retén del cargador hasta que la unión rápida ajuste haciendo clic (5.1 Fig. 7 y 8).



5.1 Fig. 4



5.1 Fig. 5



5.1 Fig. 6



5.1 Fig. 7



5.1 Fig. 8

5.2 Cambio de las cachas

Retire los tornillos de las cachas con una llave Allen SW2 (5.2 Fig. 1). Tire las cachas hacia atrás y quítelas del armazón (5.2 Fig. 2).

Antes de volver a colocar las cachas, asegúrese de que las cuatro guías del cargador se encuentran en el armazón (5.2 Fig. 3). Ahora coloque las cachas desde atrás en el armazón. Apriete los tornillos con un par de 0,6 Nm.



5.2 Fig. 1



5.2 Fig. 2



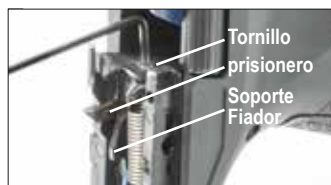
5.2 Fig. 3

5 ADAPTACIÓN DE LA PISTOLA AL USUARIO

5.3 Gatillo (Champion)

El gatillo Q5 se ha ajustado cuidadosamente en fábrica y combina funcionamiento fiable y disparo seco.

Por favor tenga en cuenta: al manipular un arma y, especialmente, cuando se ajusta el gatillo existe siempre peligro para la vida y la integridad física de las personas así como riesgo de daños materiales debido a un posible disparo accidental. WALTHER no asumen ninguna responsabilidad por los daños originados por la manipulación del gatillo. Los trabajos de ajuste, mantenimiento o servicio deberán dejarse en manos de la empresa WALTHER o de un taller de armas calificado. Para realizar el ajuste básico del gatillo, el arma se despieza en los grupos principales, véase la sección 4.1.1. A continuación, agarre la empuñadura con la mano que no dispara apuntando con el extremo frontal en dirección contraria a su cuerpo. Después, gire el tornillo prisionero en sentido antihorario con la llave Allen SW1,5 (suministrada) hasta que sobresalga mínimamente de la caja del gatillo (5.3 Fig. 1).



5.3 Fig. 1



5.3 Fig. 2

agrarre la empuñadura con la mano que no dispara apuntando con el extremo frontal en dirección contraria a su cuerpo. Después, gire el tornillo prisionero en sentido antihorario con la llave Allen SW1,5 (suministrada) hasta que sobresalga mínimamente de la caja del gatillo (5.3 Fig. 1).



Nota: No retire el tornillo prisionero de la caja del gatillo.

A continuación se determina el ajuste para la liberación del fiador: gire el tornillo prisionero en sentido horario con la llave Allen mientras presiona con algo de fuerza el fiador con el pulgar de la otra mano hacia adelante en dirección del alojamiento del cargador y hacia abajo en el alojamiento del gatillo (5.3 Fig. 1). En el punto de disparo, el extremo delantero del fiador baja haciendo que el soporte se mueva hacia atrás.

Retire el pulgar del fiador y gire el tornillo prisionero un $\frac{1}{4}$ de vuelta aproximadamente en sentido antihorario. Después de realizar el ajuste, el fiador debe alcanzar a un tope claro cuando se empuja hacia abajo y el soporte debe permanecer en posición de reposo. Si no se ha alcanzado este estado, vuelva a girar el tornillo prisionero un $\frac{1}{4}$ de vuelta en sentido antihorario y realice de nuevo la prueba.

Desde esta posición, gire el tornillo prisionero un $\frac{3}{4}$ de vuelta en sentido antihorario y vuelva a montar el arma (véase la sección 4.1.2. Antes de realizar la prueba del gatillo no olvide usar un cartucho de entrenamiento para proteger el percutor.



Nota: En caso de enganchamiento ligero del fiador, el percutor no se tensará correctamente y existe el riesgo de que se dispare más de una ronda. Si el enganchamiento es más largo se reduce el riesgo de disparar más de una ronda, pero el punto de presión del gatillo puede ser lento.

Q5 MATCH SF

5 ADAPTACIÓN DE LA PISTOLA AL USUARIO

5.4 Miras

El punto de mira y el alza son sustituibles. El punto de impacto se puede ajustar lateralmente y en altura. Las dimensiones de conexión para el montaje a cola de milano son típicas LPA y son 12 mm x 2 mm x 70°. La altura del punto de mira es de 5,3 mm.



5.4 Fig. 1

Para ajustar el alza o para sustituir la placa de montaje se suministran los siguientes accesorios con la Q5 Match (5.4, Fig. 1):

- Llave Allen SW1,5
- Llave Allen SW2,5
- tornillos Allen M3x6, 2 uds.
- Destornillador



ATENCIÓN

Antes de realizar los trabajos, asegúrese de que el arma esté descargada y el cargador libre de proyectiles.

5.4.1 Punto de mira

Desmonte la pistola en sus componentes principales, tal y como se describe en el capítulo 4.1.1.

Retire el tornillo del punto de mira con un destornillador (5.4.1 Fig. 1) y presione el punto de mira hacia arriba para sacarlo de la corredera.

El montaje se efectúa en orden inverso. Limpie el aceite del tornillo y la rosca del punto de mira. Asegure el tornillo del punto de mira con pegamento industrial (p.ej., Loctite 648). Apriete un poco el tornillo del punto de mira (con un par de aprox. 1 Nm).



5.4.1 Fig. 1

5.4.2 Alza

Desmonte la pistola en sus componentes principales, tal y como se describe en el capítulo 4.1.1.

AJUSTE LATERAL

En caso de tiro a la izquierda gire el tornillo de ajuste lateral en sentido antihorario; para tiro a la derecha gire el tornillo en sentido horario. Para ello, utilice la punta pequeña del destornillador suministrado (5.4.2 Fig. 1).

Para una distancia de tiro de 25 m se obtiene una corrección del punto de impacto de aprox. 5 mm.

5 ADAPTACIÓN DE LA PISTOLA AL USUARIO

AJUSTE EN ALTURA

En caso de tiro alto, gire el tornillo de ajuste en altura en sentido horario; en caso de tiro bajo, gire el tornillo en sentido antihorario. Para ello, utilice la punta grande del destornillador suministrado (5.4.2 Fig. 2).

Para una distancia de tiro de 25 m se obtiene una corrección del punto de impacto de aprox. 10 mm.

RETIRAR EL ALZA

Desmonte la pistola en sus componentes principales, tal y como se describe en el capítulo 4.1.1.

Suelte los dos tornillos prisioneros con la llave Allen SW1,5 (5.4.2 Fig. 3) y retire el alza lateralmente de la placa de montaje.

El montaje se efectúa en orden inverso. Limpie el aceite del tornillo y la rosca del alza. Asegure los tornillos con pegamento industrial (p.ej., Loctite 648). Apriete un poco los tornillos prisioneros (con un par de aprox. 0,6 Nm).

Si el alza se sustituye por otra, siga las instrucciones adjuntas a esta mira.



5.4.2 Fig. 1



5.4.2 Fig. 2



5.4.2 Fig. 3



5.4.2 Fig. 4

EN

DE

FR

ES

TU

5.4.3 Sustitución de la placa de montaje

Una variedad de placas de montaje para diferentes miras reflex están disponibles como accesorios. Permiten la instalación de miras de las marcas Docter (01), Trijicon (02), Leupold y DeltaPoint (04). Las placas de montaje están etiquetadas de la manera correspondiente.



5.4.3 Fig. 1

Antes de cambiar la placa de montaje, desmonte la pistola en sus componentes principales, tal y como se describe en el capítulo 4.1.1. A continuación, retire los tornillos Allen con la llave Allen SW2,5 (5.4.3 Fig. 1). Retire ahora la placa de montaje de la corredera tirando hacia arriba.



5.4.3 Fig. 2



NOTA: no confunda los tornillos Allen con los tornillos adjuntos a otras miras. Los tornillos Allen tienen una rosca métrica. Se trata de tornillos de tamaño M3x6. Dos de estos tornillos se adjuntan a la pistola como reserva (5.4.3 Fig. 2). La rosca de estos tornillos está provista de un freno de tornillos de color azul.

Coloque la placa de montaje deseada, desde arriba, en la corredera de modo que la inscripción de la placa quede en la parte inferior. Tire de la placa de montaje en dirección de la boca mientras aprieta los tornillos Allen (5.4.3 Fig. 3). Apriete los dos tornillos (con un par de aprox. 2 Nm). Al montar la mira deseada, siga las instrucciones del fabricante de la visera (5.4.3 Fig. 4).



5.4.3 Fig. 3



5.4.3 Fig. 4

6 ESPECIFICACIONES TÉCNICAS

6 ESPECIFICACIONES TÉCNICAS

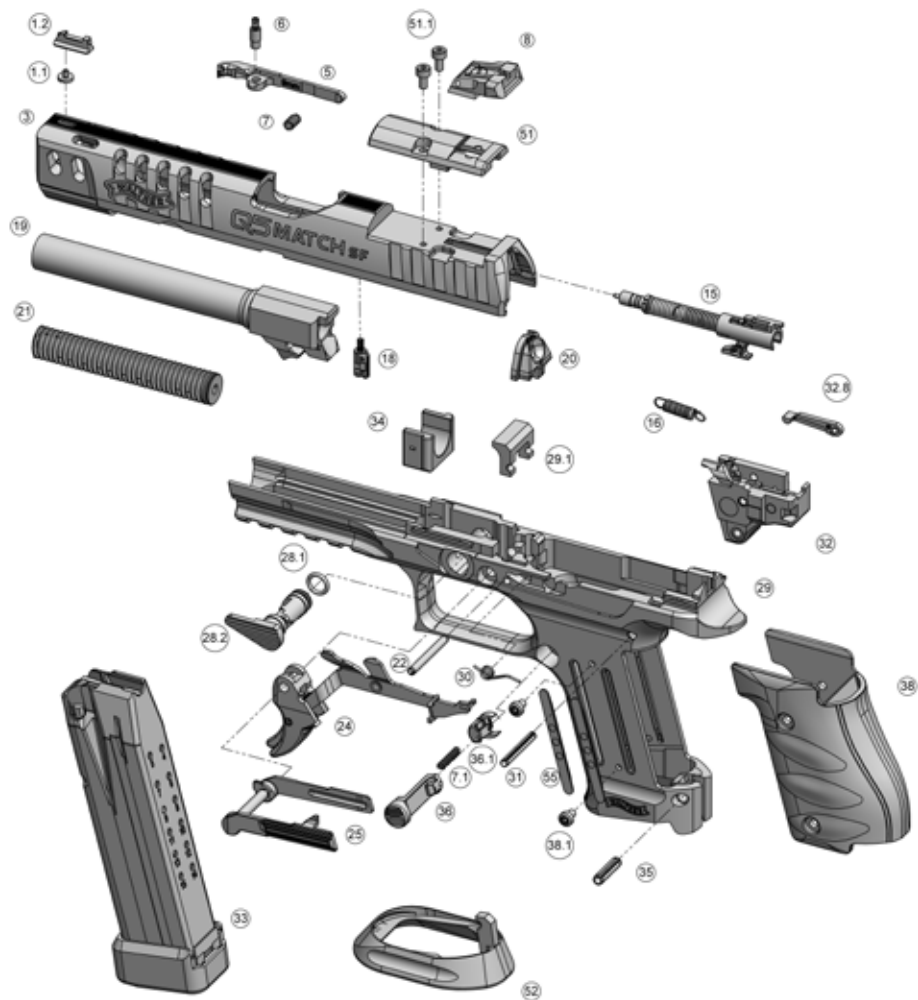
Calibre	9 mm x19
Capacidad del cargador (min.)	15 cartuchos
Dimensiones totales, (largo/anchura/alto) (min.)	220 / 36 / 137 mm
Longitud del cañón	127 mm (5")
Paso de estrias	250 mm estriado a la derecha
Perfil del cañón	Polígono
Radio de miras	181 mm
Ancho, del alza	3 mm
Ancho, del punto de mira	2,9 mm
Altura, Punto de mira	5,3 mm
Peso, pistola con cargador vacío	1160 g
Peso, cargador vacío	80 g
Energía en la boca del cañón E₃ [J]. Peso de la bala [g]	500 J 8 g
Mecanismo de operación	Disparo a cerrojo cerrado con principio de retroceso corto
Seguro	Desconector, seguro del gatillo y del percutor
Sistema	Pistola semiautomática disparada por percutor (sin martillo)
Acción del gatillo	Quick Defense Trigger
Fuerza/Recorrido del gatillo	25 N / 9 mm (idéntico para todos los disparos)
Materiales	corredera, canon y armazón: acero al carbono tratado con Tenifer®

*Datos basados en cifras promedio. Los valores reales pueden variar.
Tenifer® is a registered trademark of Duferrit GmbH, Germany.*

Q5 MATCH SF

7 DESPIECE

7 DESPIECE



8 LISTA DE PIEZAS

8 LISTA DE PIEZAS

Nº	Designation	Nº	Designation
1.1	Tornillo del punto de mira	28.2	Bloqueo del cañón
1.2	Punto de mira	29	Armazón
3	Corredera	29.1	Grupo de bloqueo
5	Extractor	30	Resorte de la palanca de retención
6	Conjunto de émbolo de extractor, compl.	31	Pasador 3x24
7	Resorte, extractor	32	Caja del fiador ensamblada
7.1	Resorte, retenida del cargador	32.8	Retenida del percutor
8	Mira	33	Cargador
15	Conjunto del percutor, compl.	34	Pieza de la guía de la corredera
16	Resorte del gatillo	35	Pasador 4x16
18	Conjunto de seguro del percutor	36	Retén del cargador
19	Cañón	36.1	Clip, retén del cargador
20	Tapa de la corredera	38	Cachas
21	Conjunto del resorte recuperador	38.1	Tornillo de las cachas
22	Pasador 3x28	51	Placa adaptadora para mira
24	Gatillo, completo	51.1	Tornillo para placa adaptadora
25	Palanca de retenida	52	Base Magwell
28.1	Junta tórica bloqueo del cañón	55	Alimentador del cargador

EN

DE

FR

ES

IT

TU

Q5 MATCH SF

WALTHER

ISTRUZIONI PER L'USO

PISTOLA Q5 MATCH SF

EN

DE

FR

ES

IT

TU



 PRIMA DI USARE L'ARMA DA FUOCO LEGGERE ACCURATAMENTE LE ISTRUZIONI E LE AVVERTENZE QUI RIPORTATE.

STEEL FRAME



NOTA

Il presente manuale si riferisce all'utilizzo della pistola da parte di civili. Le istruzioni per l'uso da parte delle forze dell'ordine possono differire da quanto descritto nel presente manuale.

Nel presente manuale, le designazioni di posizioni quali »sinistra«, »destra«, »avanti«, »dietro«, ecc., sono riferite alla pistola tenuta in posizione di sparo normale. In altre parole, puntata lontano dal tiratore, con la canna generalmente in direzione orizzontale e con l'impugnatura della pistola rivolta verso il basso.

Le spiegazioni contenute nel presente manuale si basano sull'utilizzo della pistola con la mano destra. Gli utilizzatori mancini dovranno operare al contrario.

Tenete sempre presente: Le figure contenute nel presente manuale hanno lo scopo di illustrare le modalità d'uso e possono differire dalle armi reali.

INDICE

1	Norme di sicurezza	4
2	Descrizione del prodotto	5
2.1	Descrizione funzionale	5
2.2	Contenuto della confezione	5
2.3	Munizioni	6
2.4	Elementi funzionali	7
3	Uso della pistola	10
3.1	Controllo della pistola	10
3.2	Caricamento	11
3.3	Sparare	12
3.4	Sostituzione del caricatore	13
3.5	Scaricamento della pistola	13
3.6	Procedura in caso di sparo fallito	14
4	Smontaggio, pulizia, lubrificazione e manutenzione	15
4.1	Componenti principali	15
4.2	Gruppo percussore	16
4.3	Estrattore	17
4.4	Caricatore	18
4.5	Bloc ressort de recul	20
4.6	Pulizia	21
4.7	Lubrificazione	22
4.8	Preparazione per la conservazione	23
5	Regolazione della pistola secondo le esigenze dell'utilizzatore	23
5.1	Ritegno del caricatore	23
5.2	Sostituzione guancette	24
5.3	Grilletto	25
5.4	Mirini	26
6	Specifiche tecniche	29
7	Vista esplosa	30
8	Distinta dei componenti	31

1 NORME DI SICUREZZA

- Prima di utilizzare la pistola, leggere attentamente le presenti istruzioni, che ne descrivono il funzionamento e le modalità d'uso. Ogni spiegazione relativa alle parti componenti della pistola e al suo funzionamento normalmente, nel presente manuale, è menzionata una sola volta. Per maggiori dettagli, sono comunque riportate indicazioni di riferimento a capitoli precedenti.
- Prima di fare il controllo di sicurezza e prima di sparare, come pure in caso di malfunzionamenti e prima di procedere alla pulizia, bisogna accertarsi sempre che l'arma sia scarica (caricatore rimosso dalla pistola e camera di cartuccia libera), che la canna sia pulita e non presenti ostruzioni di alcun genere, e che il caricatore sia vuoto.
- Conservare la pistola e munizioni in luoghi separati e sicuri ai quali non devono avere accesso le persone non autorizzate, in particolare i bambini.
- Anche se è scarica, trattare sempre l'arma come se fosse carica. Maneggiare sempre la pistola in modo da non creare pericolo per sé e per le persone vicine. Puntare sempre la pistola in una direzione sicura. Non puntare mai l'arma contro persone od oggetti se non si intende sparare, indipendentemente dal fatto che sia carica o meno.
- Attenzione: tenere sempre il dito lontano dal grilletto finché non si è pronti a sparare. In generale, il dito deve essere mantenuto all'esterno del guardavano. Il grilletto deve essere azionato se la pistola è puntata su un bersaglio.
- Non esercitare mai forza durante l'utilizzo, il controllo, lo smontaggio, la pulizia o il montaggio della pistola. Il maneggio non corretto pregiudicherà la funzionalità e la sicurezza della pistola. Non smontare mai l'arma in misura superiore a quanto descritto nel presente manuale.
- La sicurezza ed il corretto funzionamento sono garantiti soltanto se la pistola e le munizioni sono in perfette condizioni d'esercizio.
- Far controllare la pistola da un armaiolo qualificato se si sospetta che possa essere stata danneggiata, ad esempio se è caduta, oppure se presenta delle tracce di corrosione, ecc.
- Indossare sempre occhiali e cuffie di protezione adeguati e specifici per l'uso con armi da fuoco. Accertarsi che anche le persone che si trovano nelle vicinanze indossino gli stessi dispositivi di protezione.
- L'arma è stata progettata per l'uso con munizioni di tipo e calibro specifico. Il calibro corretto è indicato sull'arma. Usare esclusivamente le munizioni corrispondenti al calibro dell'arma e alle prescrizioni della Commission Internationale Permanente pour l'Epreuve des Armes à Feu portatives (C.I.P.) o dello Sporting Arms and Ammunition Manufacturers' Institute (SAAMI). Se vengono utilizzate delle munizioni ricaricate, non superare la pressione del gas/della camera di cartuccia ammessa secondo le norme C.I.P. o SAAMI. Una pressione eccessiva può danneggiare l'arma e persino causare un'esplosione. Le munizioni con velocità di espulsione e pressioni superiori a quelle per le quali la pistola è stata progettata espongono l'arma a una sollecitazione supplementare che può danneggiarla gravemente.

2 DESCRIZIONE DEL PRODOTTO

- Prima di caricare la pistola, eliminare sempre il grasso od olio in eccesso e accertarsi che la canna sia pulita e non presenti ostruzioni di alcun genere.
- Gli interventi di manutenzione o assistenza non specificati devono essere eseguiti da un armaiolo qualificato utilizzando componenti WALTHER originali.
- Utilizzare esclusivamente accessori originali Walther.
- Interventi non appropriati o non autorizzati sui componenti possono pregiudicare la sicurezza e l'affidabilità della pistola, causando ferite gravi e addirittura la morte.

ESCLUSIONE DELLA RESPONSABILITÀ

Durante l'uso di un'arma da fuoco la massima precauzione è indispensabile. La mancata precauzione può causare, pur involontariamente, danni materiali gravi, lesioni personali o anche il decesso. WALTHER declina qualsiasi responsabilità a fronte di danni imputabili all'uso improprio della pistola o all'inosservanza delle vigenti norme di legge. Quanto predetto vale anche a fronte di danni imputabili alla mancata osservanza delle presenti istruzioni per l'uso, alla sostituzione non autorizzata di componenti, o a qualsiasi intervento sulla pistola non espressamente previsto dalle presenti istruzioni per l'uso.

2 DESCRIZIONE DEL PRODOTTO

2.1 Descrizione funzionale

La pistola semi-automatica WALTHER Q5 Match SF con sistema di chiusura geometrica a blocco utilizza il funzionamento a corto rinculo di canna. Tirando il grilletto, il percussore viene rilasciato e viene sparato il colpo. La pressione del gas spinge il proiettile fuori dalla canna. L'impulso risultante provoca un movimento all'indietro della canna e dell'otturatore. La canna e l'otturatore arretrano assieme per un breve tratto, finché la canna non viene sbloccata dall'otturatore mediante l'azione a camme in cui la parte posteriore della canna viene tirata verso il basso e bloccata. L'otturatore continua il movimento all'indietro, estraendo il bossolo dalla camera di cartuccia ed espellendolo verso destra. Quando ha raggiunto il suo limite di corsa, l'otturatore viene spinto nuovamente in avanti dalla molla di recupero, sfilando dal caricatore una nuova cartuccia e la introduce nella camera. Questo spinge la camera di cartuccia e la canna in avanti e verso l'alto, dove si blocca carrello-otturatore. Lasciare che il grilletto si muova in avanti. Adesso la pistola è pronta per sparare un altro colpo.

2.2 Contenuto della confezione

- Pistola in custodia di plastica
- Bersaglio di prova
- Chiave esagonale SW1.5 / SW2.5
- 2 viti a esagono incassato M3x6
- 2 Caricatore di riserva
- Istruzioni per l'uso
- Cacciavite
- carica-caricatore



NOTA: L'ambito di fornitura può variare in funzione del modello.

2.3 Munizioni

AVVERTENZA

Utilizzare esclusivamente le munizioni specificamente previste per questa pistola. Il mancato utilizzo del tipo o calibro corretto di munizioni può causare malfunzionamenti, impossibilità di sparare oppure, a causa di una pressione eccessiva del gas, danneggiare o distruggere la pistola, provocando lesioni personali, morte oppure danni materiali.

Individuare l'indicazione del calibro marcata sulla pistola. Questa informazione indica il calibro delle munizioni che devono essere utilizzate in quest'arma (vedere 2.3. Fig. 1). Usare soltanto munizioni corrispondenti al calibro della pistola e che siano conformi alle disposizioni di C.I.P. o SAAMI, oppure certificate secondo la "Technische Richtlinie Patrone 9mm x 19 schadstoffreduziert" (direttiva tecnica per cartucce 9mm x 19 con impatto ambientale ridotto). Controllare le munizioni prima dell'utilizzo. Usare soltanto munizioni in condizione perfetta. La pistola e le munizioni



2.3 Fig. 1

costituiscono un insieme e devono adattarsi reciprocamente. La loro affidabilità dipende da ciascuno dei componenti. Le diverse combinazioni formate dalla velocità di espulsione, dal peso del proiettile e dal peso dell'arma influiscono sul rinculo avvertito al momento dello sparo. Un rinculo eccessivo della pistola potrebbe risultare fastidioso per alcuni tiratori.

Esempi:

- Peso dell'arma: un peso ridotto produce un rinculo più intenso.
- Peso dei proiettili: più il proiettile è pesante, più il rinculo è intenso.
- Velocità di espulsione: una maggiore velocità di espulsione amplifica il rinculo.

Per abituarsi a un rinculo più intenso, si possono adottare i seguenti accorgimenti:

- Tenere la pistola con due mani al momento del tiro.
- Cominciare a sparare con le munizioni caratterizzate da velocità di espulsione inferiore e da un peso più basso, fra quelle adatte per la pistola.
- Farsi consigliare da uno specialista sulle munizioni più deboli, la velocità di espulsione inferiore e il peso del proiettile più leggero adatti per la pistola.

2 DESCRIZIONE DEL PRODOTTO

2.4 Elementi funzionali



- | | |
|--|--|
| 1 Carrello-otturatore | 10 Caricatore |
| 2 Mirino | 11 Impugnatura |
| 3 Sicura del carrello | 12 Ritegno del caricatore (rimovibile) |
| 4 Canna | 13 Grilletto |
| 5 Fermo leva arresto carrello-otturatore | 14 Guardia del grilletto |
| 6 Scanalature trasversali | 15 Fusto |
| 7 Leva arresto carrello-otturatore | 16 Guida di montaggio |
| 8 Tacca di mira | |
| 9 Guancetta | |

La figura illustra la pistola con otturatore aperto.

- | |
|--------------------------------|
| 17 Asta guidamolla di recupero |
| 18 Vivo di volata |
| 19 Designazione del modello |



- | |
|--------------------------------------|
| 20 Numero di seria |
| 21 Tappo carrello-otturatore |
| 22 Finestra di espulsione |
| 23 Estrattore (indicatore di carica) |

2.4.1 Indicatore di carica

Se la parte posteriore dell'estrattore è incassata, ciò significa che una cartuccia/un bossolo si trova nella camera di cartuccia. L'indicatore assume la forma di una marcatura rossa (2.4.1 Fig. 1).



2.4.1 Fig. 1

ATTENZIONE

Non fidarsi esclusivamente del sistema d'indicazione della carica per verificare la presenza o meno di un colpo nella camera. Il metodo di controllo più affidabile è guardare dentro la camera. A questo scopo, togliere il caricatore, estrarre il carrello-otturatore fino all'arresto e bloccarlo nella posizione "aperta".

Maneggiare sempre l'arma come se fosse carica.

L'indicatore di carica permette di sapere se nella camera di cartuccia è alloggiata una cartuccia o meno, ma vi sono alcuni fattori, come la luce, l'imbrattamento della pistola, macchie della munizione e altri fattori che possono limitare l'efficacia dell'indicatore di carica.

2.4.2 Ritegno del caricatore

Il ritegno del caricatore è situato lateralmente, sull'impugnatura.

Utilizzo:

Le dita devono trovarsi all'esterno della guardia e lontane dal grilletto. Premere il ritegno e rimuovere il caricatore (2.4.2 Fig. 1).



2.4.2 Fig. 1

2.4.3 Leva arresto carrello-otturatore

Blocco del carrello-otturatore in posizione "aperta": Afferrare la pistola tenendo le dita lontane dal grilletto e all'esterno della guardia. Premere il ritegno del caricatore e rimuovere il caricatore. Tenendo ferma la pistola, afferrare l'otturatore da dietro sulle scanalature e arretrarlo completamente con un movimento rapido per estrarre un'eventuale cartuccia dalla camera di cartuccia ed espellerla dalla pistola. Per bloccare il carrello-otturatore in posizione aperta, far avanzare leggermente l'otturatore dalla posizione più arretrata premendo contemporaneamente verso l'alto la leva arresto carrello-otturatore (2.4.3 Fig. 1).



2.4.3 Fig. 1

2 DESCRIZIONE DEL PRODOTTO

Rilascio della leva arresto carrello-otturatore:

Premere la leva arresto carrello-otturatore con il pollice della mano che impugna l'arma per rilasciare l'otturatore e farlo avanzare completamente.

Per un funzionamento più agevole della leva arresto carrello-otturatore, afferrare da dietro i lati scanalati e tirare l'otturatore all'indietro premendo contemporaneamente la leva arresto carrello-otturatore per rilasciare l'otturatore e farlo avanzare completamente.

2.4.4 Caricatore

Attraverso le aperture previste nel corpo del caricatore è possibile verificare lo stato di caricamento (2.4.4 Fig. 1).



2.4.4 Fig. 1

EN

DE

FR

ES

IT

TU

Q5 MATCH SF

3 USO DELLA PISTOLA

3 USO DELLA PISTOLA

3.1 Controllo della pistola

- Prima del controllo è necessario accertarsi che la vostra Q5 Match SF sia scarica. Puntare la pistola in una direzione sicura. Le dita devono trovarsi all'esterno della guardia e lontane dal grilletto. Agitare premendo sul ritegno del caricatore e rimuovete il caricatore (3.1 Fig. 1).
- Afferrare con le dita il carrello-otturatore nella parte posteriore sulle scanalature trasversali come illustrato in 3.1 Fig. 2, e tirarlo indietro energicamente fino all'arresto. Se nella camera c'è una cartuccia, essa verrà estratta dalla camera ed espulsa. Non coprire la finestra di espulsione, altrimenti la cartuccia non può essere espulsa come previsto.
- Bloccare il carrello-otturatore in posizione aperta. Mantenendo l'otturatore nella posizione più arretrata, spingere la leva di arresto carrello-otturatore verso l'alto e far avanzare lentamente l'otturatore finché non viene trattenuto dalla leva (3.1 Fig. 3).
- Accertarsi che la camera di cartuccia sia scarica e controllare visivamente la canna per verificare che sia pulita, asciutta e priva di ostruzioni (3.1 Fig. 4).

Effettuare sempre questo controllo prima di deporre la Q5 Match SF, di pulirla, di consegnarla a un'altra persona, di trasportarla o di riparla.



3.1 Fig. 1



3.1 Fig. 2



3.1 Fig. 3



3.1 Fig. 4

ATTENZIONE

Non fidarsi mai esclusivamente della tecnica. È responsabilità dell'utilizzatore maneggiare sempre l'arma con la massima cautela, per garantire la propria e altrui sicurezza.

3 USO DELLA PISTOLA

3.2 Caricamento

3.2.1 Caricatore del caricatore

Quando il caricatore viene rimosso dal suo alloggiamento all'interno dell'impugnatura della pistola, attraverso i fori è possibile verificare il numero di colpi.



3.2.1 Fig. 1



Nota:

Usa solo caricatori adatti per la sua pistola. Altri caricatori possono causare malfunzionamento oppure danneggiamenti alla pistola e al caricatore (3.2.1 Fig.1).

ATTENZIONE

Non tentare mai di inserire più cartucce di quanto specificato, perché ciò potrebbe causare malfunzionamenti nell'alimentazione. Non esercitare forza, per non danneggiare il caricatore. Un caricatore/i labbri del caricatore difettosi causano malfunzionamenti, rendendo inutilizzabile la pistola.

Per inserire delle cartucce nel caricatore, spingere verso il basso la parte anteriore dell'alimentatore con il fondo della cartuccia e far scivolare la cartuccia sotto i labbri del caricatore finché il fondo della cartuccia non tocca la parete posteriore del caricatore (3.2.1 Fig. 2). Ripetere questa procedura per il numero di cartucce che si desiderano caricare.

Il caricamento può essere facilitato dal carica-caricatore WALTHER.

Inserire il carica-caricatore con la parete lunga orientata all'indietro nella parte superiore del caricatore (3.2.1 Fig. 3). Premere il carica-caricatore verso il basso e inserire una cartuccia con l'altra mano, facendola scivolare sotto i labbri del caricatore (3.2.1 Fig. 4). Sollevare lievemente il carica-caricatore e inserire completamente la cartuccia al di sotto dei labbri del caricatore (3.2.1 Fig. 5).



3.2.1 Fig. 2



3.2.1 Fig. 3



3.2.1 Fig. 4



3.2.1 Fig. 5

3.2.2 Caricamento della pistola

- Controllare la pistola come descritto nella sezione 3.1.
- Afferrare la pistola con le dita lontane dal grilletto e all'esterno della guardia, con il vivo di volata rivolto in una direzione sicura. Inserire il caricatore nel suo alloggiamento finché non si innesta. Per verificare che il caricatore sia innestato in modo sicuro, tirare verso il basso la parte esposta del fondo del caricatore: non deve muoversi.
- Tirare completamente all'indietro il carrello-otturatore; poi lasciare libero il carrello-otturatore che si sposterà velocemente in avanti.

ATTENZIONE

Introdurre le cartucce nella camera di cartuccia soltanto con l'ausilio del caricatore. Non tentare mai di introdurre individualmente delle cartucce nella camera di cartuccia attraverso la finestra di espulsione: ciò potrebbe causare gravi ferite o persino la morte dell'utilizzatore della pistola o di altre persone.

AVVERTENZA

Adesso la pistola è carica e pronta per sparare. La pistola e il caricatore sono caricati, e se viene premuto il grilletto l'arma sparerà. Rivolgere sempre il vivo di volata della pistola in una direzione sicura e tenere le dita lontane dal grilletto e all'esterno della guardia finché non si è pronti a sparare. Non lasciare mai incustodita un'arma carica.

3.3 Sparare

- Rivolgere il vivo di volata della pistola in una direzione sicura e tenere le dita lontane dal grilletto e all'esterno della guardia finché non si è pronti a sparare.
- Il modo in cui si impugna un'arma influisce sul controllo del grilletto e sul controllo del rinculo. La forma vantaggiosa dell'impugnatura della Q5 Match SF offre un elevato livello di controllo che permette all'utilizzatore una presa estremamente alta.
- Afferrando saldamente l'impugnatura della pistola, sistemare le dita ad angolo retto sulla faccia del grilletto e muoverle lentamente, tirando il grilletto con forza crescente fino a far partire il colpo. Durante lo sparo, l'otturatore rincula ed espelle il bossolo. Infine, l'otturatore ritorna in avanti e introduce nella camera di cartuccia la cartuccia successiva del caricatore.
- Dopo lo sparo, lasciare tornare il grilletto completamente in avanti prima dello sparo successivo. Allontanare il dito dal grilletto e tenerlo all'esterno della guardia finché non si è pronti nuovamente a sparare. Questa procedura può essere ripetuta fino all'ultimo colpo.
- Dopo l'ultimo colpo, l'alimentatore del caricatore aziona la leva di arresto e il carrello-otturatore viene bloccato in posizione "aperta".

3 USO DELLA PISTOLA

AVVERTENZA

Indossare cuffie antirumore e occhiali di protezione specifici per l'impiego con armi da fuoco. Al momento dello sparo o dell'azionamento della leva di arresto del carrello-otturatore, l'otturatore si sposta con grande velocità ed esercitando una forza considerevole. Per evitare lesioni, fare attenzione che nessuna parte del corpo si trovi sulla traiettoria dell'otturatore.

3.4 Sostituzione del caricatore

Una volta sparato l'ultimo colpo, l'alimentatore del caricatore esercita una pressione verso l'alto sulla leva arresto carrello-otturatore innestandola nell'apposito fermo e bloccando il carrello-otturatore in posizione "aperta".

- Premere il ritegno del caricatore e togliere il caricatore.
- Per continuare a sparare, inserire un altro caricatore.
- Tirare completamente indietro il carrello-otturatore, rilasciarlo e farlo tornare completamente in avanti.

AVVERTENZA

La pistola è nuovamente pronta per sparare. Con la canna sempre rivolta in una direzione sicura, tenere il dito lontano dal grilletto e all'esterno della guardia finché non si è pronti a sparare.

3.5 Scaricamento della pistola

- Puntate la pistola in una direzione sicura. Le dita devono essere all'esterno della guardia e lontane dal grilletto. Agite premendo sul ritegno del caricatore e rimuovete il caricatore (3.5 Fig. 1).
- Afferrare con le dita il carrello-otturatore sulle scanalature trasversali (3.5 Fig. 2) e tirarlo energicamente all'indietro fino all'arresto. Se nella camera di cartuccia è alloggiata una cartuccia, essa verrà espulsa. Non coprire la finestra di espulsione, altrimenti la cartuccia non può essere espulsa come previsto.
- Bloccare il carrello-otturatore in posizione "aperta" in maniera che scivoli lentamente in avanti dalla sua posizione più arretrata spingendo verso l'alto la leva di arresto. (3.5 Fig. 3).



3.5 Fig. 1



3.5 Fig. 2



3.5 Fig. 3

Q5 MATCH SF

3 USO DELLA PISTOLA

- Ispezionare la camera di cartuccia per verificare che sia vuota (3.5 Fig. 4). Ispezionare l'alloggiamento del caricatore: nella pistola non devono più esserci munizioni.
- Per scaricare il caricatore, tenerlo in modo che i proiettili siano rivolti in direzione opposta. Spingere in avanti ogni cartuccia per farla uscire dal caricatore.



3.5 Fig. 4

AVVERTENZA

Ogni qualvolta il carrello-otturatore viene chiuso mentre nella pistola c'è un caricatore carico, la pistola è di nuovo pronta a sparare.

3.6 Procedura in caso di sparo fallito

- In caso di sparo fallito, attendere 10 secondi sempre mantenendo il vivo di volata della pistola rivolto in una direzione sicura.
- Scaricare la pistola come descritto nella sezione 3.5 "Scaricamento della pistola".
- A questo punto è possibile effettuare un controllo visivo della camera di cartuccia e della canna. La camera non deve contenere cartucce e la canna non deve presentare ostruzioni.

4 SMONTAGGIO, PULIZIA, LUBRIFICAZIONE E MANUTENZIONE

AVVERTENZA

Prima di ogni intervento occorre accertarsi che la pistola ed il caricatore siano scarichi.

4.1 Componenti principali

ATTENZIONE

Per completare lo smontaggio è necessario azionare il grilletto. Se non avete scaricato completamente la vostra pistola e se un proiettile è rimasto in camera, il colpo potrebbe partire e causare gravi ferite ovvero la morte a voi e ad altri, oltre a provocare danni materiali. Per questo motivo è indispensabile ispezionare attentamente la camera e il magazzino (aprendo entrambi) per assicurarvi che siano vuoti prima di azionare il grilletto.

4.1.1 Smontaggio

- Togliere il caricatore e scaricare la pistola. Bloccare il carrello-otturatore in posizione aperta. Ispezionare la camera di cartuccia e l'alloggiamento del caricatore per verificare che non siano rimaste munizioni nella pistola.
- Ruotare la sicura del carrello in senso orario fino al suo punto di fine corsa verso l'alto.
- Chiudere il carrello-otturatore, tirandolo leggermente indietro e rilasciandolo poi lentamente per farlo tornare in posizione avanzata.
- Puntare la volata in una direzione sicura e disarmare il meccanismo percussore azionando il grilletto.
- Togliere il dito dal grilletto.
- Avanzare il carrello-otturatore e toglierlo dal fusto.
- Rimuovere il gruppo guidamolla di recupero da sotto la canna, mantenendo la pressione della molla (4.1.1 Fig. 2).
- Togliere la canna dal carrello-otturatore.
- In 4.1.1 Fig. 3 sono illustrati i componenti principali della pistola.



4.1.1 Fig. 1



4.1.1 Fig. 2



4.1.1 Fig. 3

EN
DE
FR
ES
IT
TU

Q5 MATCH SF

4 SMONTAGGIO, PULIZIA, LUBRIFICAZIONE E MANUTENZIONE

4.1.2 Rimontaggio

- Capovolgere il carrello-otturatore. Porre la canna all'interno dell'otturatore come illustrato in 4.1.2 Fig. 1.
- Inserire il gruppo guidamolla di recupero: Collocare l'estremità piccola (nera) dell'asta di guida nell'alloggiamento della molla davanti all'otturatore, poi inserire l'estremità grande in polimero della molla di recupero nella cavità inferiore della canna, mantenendo la pressione della molla (4.1.2 Fig. 1 e 2).
- Spingere l'otturatore dal davanti nelle guide del fusto (4.1.2 Fig. 3), in misura sufficiente ad innestare la sicura del carrello, accertandosi che l'otturatore si innesti anche nelle guide del fusto.
- Tirare indietro l'otturatore fino allo scontro e bloccarlo con la leva arresto carrello-otturatore.
- Ruotare la sicura del carrello in senso antiorario fino al suo punto di fine corsa verso il basso.
- Tirare indietro l'otturatore e farlo tornare rapidamente in avanti.



4.1.2 Fig. 1



4.1.2 Fig. 2



4.1.2 Fig. 3

4.2 Gruppo percussore

4.2.1 Rimozione del gruppo percussore

- Smontare i componenti principali della pistola (sezione 4.1.1).
- Collocare l'otturatore con l'estremità della canna su una superficie liscia e piana. Afferrare l'otturatore sulle scanalature posteriori. Premere il perno nell'apertura quadrata situata in alto a destra nel tappo dell'otturatore usando un punzone da 2 mm (4.2.1 Fig. 1) e togliere il tappo dell'otturatore facendolo scorrere verso il basso. Togliere il tappo dall'otturatore tirandolo verso il basso (4.2.1 Fig. 2).
- Togliere il gruppo percussore dall'otturatore (4.2.1 Fig. 3).



4.2.1 Fig. 1



4.2.1 Fig. 2



4.2.1 Fig. 3

4.2.2 Montaggio del gruppo percussore

- Inserimento del gruppo percussore (4.2.2 Fig. 1).
- Usando il tappo dell'otturatore, premere il gruppo percussore nel carrello-otturatore e reinserire il tappo dell'otturatore da sotto finché non si innesta in posizione (vedere 4.2.2 Fig. 2).



4.2.2 Fig. 1



4.2.2 Fig. 2

4.3 Estrattore



Nota:

Il gruppo sicura sul percussore può essere smontato soltanto dopo avere tolto il percussore dall'otturatore. Per procedere allo smontaggio del percussore, attenersi alla descrizione riportata nella sezione 4.2.

4.3.1 Rimozione dell'estrattore



ATTENZIONE

Indossare occhiali di protezione. L'asse estrattore e il gruppo sicura sul percussore sono precaricati a molla. Al momento dello smontaggio dell'estrattore questi pezzi potrebbero venire espulsi.

- Appoggiare il carrello-otturatore con il dispositivo di mira rivolto verso il basso e la canna orientata verso sinistra.
- Premere l'asse estrattore nell'otturatore contro la forza della molla con un punzone da 2 mm (4.3.1 Fig. 1) finché l'asse estrattore non fuoriesce. Togliere il punzone.
- Coprendo la sicura del percussore e l'asse estrattore con un dito, togliere l'estrattore. Togliere ora la sicura del percussore e l'estrattore dall'otturatore (4.3.1 Fig. 2).
- Non rimuovere dal carrello-otturatore la molla a compressione dell'estrattore. Un avvolgimento terminale esteso garantisce una sede sicura per questa molla.



4.3.1 Fig. 1



4.3.1 Fig. 2

4.3.2 Installazione dell'estrattore

- Appoggiare l'otturatore con il dispositivo di mira rivolto verso il basso e la canna orientata verso sinistra.
- Inserire l'asse estrattore con la molla.
- Bloccare la molla a compressione nel foro della sicura del percussore affinché non fuoriesca, applicando un po' di olio per armi (non grasso!) sulla molla, prima di inserire la molla nel foro della sicura del percussore. Inserire la sicura del percussore con la sua molla nel carrello-otturatore. La molla di pressione della sicura deve entrare a fondo nella cavità appositamente praticata nell'otturatore. La sicura correttamente posizionata viene a trovarsi leggermente al di sotto della superficie di scorrimento della cartuccia (4.3.2 Fig. 1).



4.3.2 Fig. 1



4.3.2 Fig. 2

- Collocare l'estremità lunga dell'estrattore dietro sul raggio della fessura dell'estrattore nell'otturatore e con il pollice dell'altra mano premere l'estrattore contro l'asse estrattore nell'otturatore. Premere l'asse estrattore verso il basso con un punzone da 2 mm, spingendo contemporaneamente l'estrattore al centro dell'otturatore. L'occhiello dell'estrattore tiene ora fermo l'asse estrattore e il punzone può essere rimosso (4.3.2 Fig. 2).



4.3.2 Fig. 3

- Premere la sicura del percussore verso l'interno, finché non è filo con la superficie dell'otturatore. Al contempo premere l'estrattore con il pollice finché l'asse non si innesta nel foro dell'estrattore (4.3.2 Fig. 3).
- Montare il percussore come descritto nella sezione 4.2.2.

4.4 Caricatore

4.4.1 Smontaggio

ATTENZIONE

Usare una protezione adeguata per gli occhi durante lo smontaggio del caricatore.

Procedere con cautela allo smontaggio del caricatore, perché la molla del caricatore è sotto pressione. Durante la rimozione del fondello, controllare che il supporto del fondello e la molla non fuoriescano causando lesioni.

4 SMONTAGGIO, PULIZIA, LUBRIFICAZIONE E MANUTENZIONE

1. Usando un punzone da 4 mm, premere il supporto del fondello attraverso l'apertura prevista sul fondello (4.4.1 Fig. 1).

Caricatore con prolunga:

Spingere completamente indietro il fondello del caricatore, fino al punto di fine corsa sul corpo caricatore. Introdurre la punta ottusa di un giraviti nell'apertura del ritegno del fondello sul retro del caricatore. Spingere il ritegno del fondello verso i labbri del caricatore finché il ritegno fuoriesce (4.4.1 Fig. 2).

2. Spingere in avanti il fondello e toglierlo dal corpo del caricatore, continuando a premere il supporto del fondello nel corpo.
3. Rimuovere con attenzione il supporto del fondello e la molla dal corpo del caricatore attraverso la parte inferiore del corpo.
4. Scuotere leggermente l'alimentatore per far uscire il corpo del caricatore.



4.4.1 Fig. 1



4.4.1 Fig. 2

4.4.2 Montaggio

1. Procedendo in ordine inverso, reinstallare l'alimentatore e la molla del caricatore con il supporto del fondello nel corpo del caricatore, facendo attenzione al corretto allineamento dei pezzi (4.4.2 Fig. 1 e 2). I pezzi devono essere montati senza esercitare forza.
2. Premendo il supporto del fondello nel corpo del caricatore, spingere il fondello sul corpo in modo che la sporgenza rotonda del supporto del fondello si innesti nel foro del fondello con un clic udibile.



4.4.2 Fig. 1



4.4.2 Fig. 2

Caricatore con prolunga:

Appoggiare l'estremità posteriore del ritegno contro la parete posteriore del caricatore, mentre il ritegno stesso va premuto nel caricatore. Spingere il fondello del caricatore procedendo dal lato anteriore fino all'arresto fine corsa. Spingere il lato posteriore del ritegno del fondello nel caricatore fino all'innesto di posizione.

EN
DE
FR
ES
IT
TU

4.5 Gruppo guidamolla di recupero

- Lo smontaggio del gruppo guidamolla di recupero non è necessario per la manutenzione della pistola e deve essere evitato.
- Poiché il gruppo guidamolla di recupero è soggetto a un'enorme tensione e lo smontaggio richiede molta forza e una grande competenza, è indispensabile la massima precauzione.

4.5.1 Smontaggio del gruppo guidamolla di recupero



AVVERTENZA

Indossare occhiali protettivi.

- Appoggiare l'estremità più grande dell'asta guidamolla di recupero su una superficie antisdrucciolevole.



ATTENZIONE

È necessario esercitare molta forza.

- In alto sulla molla all'incirca tra la seconda e la terza spira, posizionare ad esempio una chiave fissa da 10 mm e spingere la molla verso il basso fino all'arresto (4.5.1 Fig. 1).
- Afferrare la rondella della molla di recupero e guidarla verso il basso fino alla strozzatura sull'asta guidamolla di recupero, fino a poterla estrarre lateralmente nel punto sottile dell'asta guidamolla di recupero contro una leggera resistenza (4.5.1 Fig. 2). Non esercitare forza durante l'estrazione della rondella della molla di recupero, perché la rondella potrebbe danneggiarsi.
- Mettere da parte la rondella e far scorrere lentamente verso l'alto la molla di recupero. Bloccare con il pollice l'estremità più piccola dell'asta guidamolla di recupero per evitare che salti via. Attenzione: Forte pressione elastica! Afferrare la molla con entrambe le mani, ruotare le estremità l'una contro l'altra e contemporaneamente allontanarle in modo che la molla si stacchi dall'estremità più piccola dell'asta. Poi rimuovere la molla dall'asta.



4.5.1 Fig. 1



4.5.1 Fig. 2



4.5.1 Fig. 3

4.5.2 Montaggio del gruppo guidamolla di recupero



AVVERTENZA

Indossare occhiali protettivi.

Appoggiare l'estremità più grande dell'asta guidamolla di recupero su una superficie antiscivolo. Con la mano spingere l'estremità della molla di recupero a fondo verso il basso sull'asta della molla.

Procedendo a piccoli passi, comprimere la molla ad esempio con una chiave fissa da 10 mm finché l'estremità superiore può essere premuta manualmente sopra l'estremità dell'asta esercitando una forza adeguata.

Bloccare l'estremità della molla con il pollice, mentre la chiave fissa viene posizionata all'incirca tra la seconda e la terza spirale della molla. Con la chiave spingere la molla verso il basso fino all'arresto.

Afferrare la rondella della molla di recupero e farla scorrere lateralmente contro una leggera resistenza fino al punto sottile dell'asta guidamolla di recupero. Non esercitare forza durante l'inserimento della rondella della molla di recupero, perché la rondella potrebbe danneggiarsi.

In seguito scaricare lentamente la molla e rimuovere la chiave.

4.6 Pulizia



ATTENZIONE

Prima di ogni intervento occorre accertarsi che la pistola ed il caricatore siano scarichi.

Pulire la pistola dopo ogni utilizzo e se è stata esposta a condizioni climatiche estreme. La pistola deve essere pulita prima di essere utilizzata per la prima volta. Per proteggere l'arma dalla corrosione è stato utilizzato dell'olio oppure un mezzo protettivo. Prima di usare la pistola, rimuovere con un panno morbido ogni eccesso di olio fuoriuscito dalla canna, dalla camera di cartuccia e sulle superfici esterne. Smontare i componenti principali della pistola. Partendo dalla camera di cartuccia, pulire la canna e la camera con un buon solvente e uno scovolino. Rimuovere i residui di fumo dall'interno della canna utilizzando una spazzola di pulitura finché canna e camera di cartuccia sono completamente pulite. Strofinare le superfici pulite con un panno e con delle bacchette di cotone. Con una spazzolina immersa in solvente, rimuovere tutti i depositi attorno alla canna, alla camera di cartuccia, all'estrattore e nelle aree adiacenti che risultassero sporche. Pulire ogni residuo dal fusto spazzolando delicatamente e utilizzando un solvente. Dopo la pulizia, sulle superfici metalliche esterne deve essere applicato un leggero strato di olio di buona qualità per armi. Se la pistola deve essere utilizzata o conservata in un ambiente freddo, usare un olio per armi raccomandato per l'impiego a basse temperature.

EN

DE

FR

ES

IT

TU

Q5 MATCH SF

4 SMONTAGGIO, PULIZIA, LUBRIFICAZIONE E MANUTENZIONE



4.7 Fig. 1

AVVERTENZA

Seguire sempre le istruzioni fornite con il detergente e il lubrificante per armi. Alcuni prodotti detergenti possono danneggiare la pistola. Non lasciare agire troppo a lungo i solventi ed evitare una pulizia prolungata in un bagno a ultrasuoni (temperatura massima per la pulitura a ultrasuoni: 50°C). Utilizzare esclusivamente i prodotti raccomandati specificamente per la manutenzione delle armi. La mancata osservanza di queste avvertenze può provocare un danneggiamento della finitura della pistola.

Per la pulizia delle pistole WALTHER non devono essere utilizzate soluzioni alcaline e contenenti ammoniacale.

4.7 Lubrificazione

Dopo avere pulito tutta la pistola, con un panno applicare un leggero strato di olio di buona qualità per armi su tutte le superfici metalliche esterne.

Fare attenzione a non lubrificare più del necessario. Se si formano delle gocce d'olio oppure se dell'olio cola attraverso la pistola, significa che è stata applicata una quantità eccessiva di olio. Un eccesso di olio favorisce la concentrazione dello sporco e dei residui di fumo nella pistola e nuoce al suo buon funzionamento.

Non introdurre olio nel canale del percussore (4.7 Fig. 1).

- Canna:

Con un panno applicare un leggero strato di olio di buona qualità per armi su tutte le superfici metalliche esterne e sulla rampa in cui il blocco oscillante si innesta sulla canna.

5 REGOLAZIONE DELLA PISTOLA SECONDO LE ESIGENZE DELL'UTILIZZATORE

- Fusto:
Oliare le guide del carrello-otturatore e il gruppo del grilletto con una goccia di olio.
- Carrello-otturatore:
Applicare una sola goccia di olio sull'asse della sicura e la superficie come sulla figura.
- Caricatore:
Applicare un leggero strato di olio di buona qualità per armi su tutte le superfici metalliche esterne.

4.8 Preparazione per la conservazione

Rispettare tutte le leggi che regolamentano la conservazione di armi da fuoco. È necessario conoscere tutte le leggi locali, regionali e statali riguardanti la conservazione sicura di armi e munizioni. Non conservare la pistola in qualcosa che attiri o trattenga l'umidità (ad esempio cuoio o stracci spessi).

Se la pistola deve essere conservata per un periodo prolungato, proteggere la canna, la camera di cartuccia e i pezzi interni con olio di alta qualità per armi o un agente protettivo previsto per le armi. I pezzi esterni, il carrello-otturatore, la canna e il caricatore, devono essere trattati con un prodotto anticorrosione.

Pulire la pistola prima di riutilizzarla. Durante ogni operazione di pulizia, prestare attenzione anche ai segni di usura. Qualora si rilevi la presenza di segni di usura inconsueti, far controllare la pistola da un armaiolo qualificato o da WALTHER.

5 REGOLAZIONE DELLA PISTOLA SECONDO LE ESIGENZE DELL'UTILIZZATORE

5.1 Ritegno del caricatore

Il ritegno del caricatore può essere convertito dalla modalità operativa a sinistra alla modalità operativa a destra. Per la conversione occorrono un perno avente un diametro di 1 mm e un piccolo cacciavite (circa 2,5 mm).

1. Mantene premuto il ritegno del caricatore. Ciò facendo, l'estremità opposta del ritegno fuoriesce dall'impugnatura e offre un piccolo foro disposto sul lato posteriore. Introducete il perno di 1 mm nel foro (5.1 Fig. 1).
2. Premete il perno nel foro agendo contro l'arresto di fine corsa. Questa operazione provoca l'apertura del collegamento a scatto del tappo per il ritegno del caricatore (le singole parti sono illustrate al punto 5.1 Fig. 2).



5.1 Fig. 1



5.1 Fig. 2



5.1 Fig. 3

EN

DE

FR

ES

IT

TU

Q5 MATCH SF

5 REGOLAZIONE DELLA PISTOLA SECONDO LE ESIGENZE DELL'UTILIZZATORE

3. Sollevate il tappo con un cacciavite e rimuovetelo (5.1 Fig. 3). Qualora in tal modo il tappo non dovesse essere rimovibile, provate di sollevarlo con il cacciavite mentre introducete il perno nel foro.
4. Estraete il ritegno del caricatore (5.1 Fig. 4) e la molla di pressione dal lato opposto.
5. Inserite la molla di pressione sul lato dal quale il ritegno del caricatore deve essere utilizzabile (5.1 Fig. 5).
6. Introducete il ritegno del caricatore dallo stesso lato a partire dal quale è stata infilata la molla di pressione (5.1 Fig. 6).
7. Mantenete premuto il ritegno del caricatore mentre provvedete ad inserire il tappo dal lato opposto. Spingete il tappo nel ritegno del caricatore fino ad avvertirne l'incastro che avviene con un clic udibile (5.1 Fig. 7 e 8).



5.1 Fig. 4



5.1 Fig. 5



5.1 Fig. 8



5.1 Fig. 7



5.1 Fig. 6

5.2 Sostituzione guancette

Rimuovere le viti sulla guancetta con una chiave esagonale SW2 (5.2 Fig. 1). Sfilare la guancetta all'indietro dall'impugnatura (5.2 Fig. 2).

Prima di rimontare la guancetta, assicurarsi che le quattro guide del caricatore si trovino di nuovo nell'impugnatura (5.2 Fig. 3). A questo punto inserire la guancetta da dietro sull'impugnatura. Stringere le viti con 0,6 Nm.



5.2 Fig. 1



5.2 Fig. 2

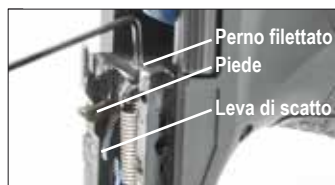


5.2 Fig. 3

5 REGOLAZIONE DELLA PISTOLA SECONDO LE ESIGENZE DELL'UTILIZZATORE

5.3 Grilletto

Il grilletto Q5 è stato accuratamente regolato e combina funzionamento sicuro dell'arma e precisione di tiro a secco. **Nota:** Durante l'uso delle armi e soprattutto dopo una regolazione del grilletto, può aumentare il rischio di causare danni materiali, gravi lesioni personali o persino il decesso a causa di una partenza involontaria del colpo. WALTHER declina qualsiasi responsabilità per eventuali danni causati dall'uso dell'arma o da una regolazione non corretta del grilletto. Gli interventi di regolazione, manutenzione o assistenza sul grilletto devono essere eseguiti da WALTHER o da un armaiolo qualificato. Per la regolazione di base del grilletto, un armaiolo qualificato dovrà dapprima smontare i componenti principali della pistola secondo le istruzioni riportate nella sezione 4.1.1. Tenendo l'impugnatura della pistola con la mano che non spara e l'estremità anteriore in direzione opposta al corpo, ruotare in senso antiorario il perno filettato con la chiave per viti esagonali da 1,5 mm in dotazione. Fermarsi non appena il perno filettato è a filo con la parete posteriore del caricatore (5.3 Fig. 1).



5.3 Fig. 1



5.3 Fig. 2



Nota: Non rimuovere completamente il perno filettato.

In seguito determinare il punto di abbattimento della leva di scatto. Usare a tale scopo la chiave per viti esagonali del punto 1 e ruotare il perno filettato in senso orario applicando una leggera pressione sulla leva di scatto con il pollice dell'altra mano in avanti e verso il basso nel corpo del grilletto (5.3 Fig. 2). Sul punto di scatto, l'estremità anteriore della leva di scatto si abbassa, causando allo stesso tempo la rotazione all'indietro del piede.

A questo punto, togliere il pollice dalla leva di scatto e ruotare il perno filettato all'incirca di $\frac{1}{4}$ di giro in senso antiorario. Controllare nuovamente la leva di scatto. Se premuta verso il basso, la leva deve arrestarsi e il piede deve rimanere fermo. Se non viene ancora raggiunta questa condizione, ruotare il perno filettato di un altro $\frac{1}{4}$ di giro in senso antiorario e controllare di nuovo la leva di scatto. Continuare questa operazione finché la leva non si arresta e il piede non rimane fermo. Una volta raggiunta questa condizione, come ultima fase ruotare il perno filettato di $\frac{3}{4}$ di giro in senso antiorario.

Seguire le istruzioni riportate nella sezione 4.1.2. Prima di eseguire il test del grilletto, caricare una cartuccia finta, per proteggere il percussore.



Nota: In caso di inserimento limitato della leva di scatto, il percussore cadrà anticipatamente, comportando il rischio di sparo doppio. Un inserimento eccessivo della leva di scatto riduce il rischio di sparo doppio, ma può causare un punto di resistenza trascinato del percussore.

EN
DE
FR
ES
IT
TU

Q5 MATCH SF

5 REGOLAZIONE DELLA PISTOLA SECONDO LE ESIGENZE DELL'UTILIZZATORE

5.4 Mirini

Il mirino e la tacca di mira sono intercambiabili. Il punto d'impatto può essere regolato lateralmente e in altezza. Le quote di accoppiamento dei giunti a coda di rondine sono tipiche di LPA e sono di 12mm x 2mm x 70°. L'altezza del mirino è 5,3 mm.



5.4 Fig. 1

Per la regolazione del dispositivo di mira o per la sostituzione della piastra di montaggio, la Q5 Match SF comprende i seguenti accessori (5.4 Fig. 1):

- Chiave esagonale SW1,5
- Chiave esagonale SW2,5
- 2 viti a esagono incassato M3x6
- Cacciavite



ATTENZIONE

Prima di ogni intervento occorre accertarsi che la pistola e il caricatore siano scarichi.

5.4.1 Mirino

Smontare i componenti principali della pistola, come descritto nella sezione 4.1.1.

Rimuovere la vite del mirino con l'ausilio di un cacciavite (5.4.1 Fig. 1) e togliere il mirino dall'otturatore premendolo verso l'alto.

Il rimontaggio avviene nell'ordine inverso. Pulire le tracce di olio sulla vite del mirino e sulla filettatura nel mirino. Bloccare la vite del mirino con una colla industriale (per es. Loctite 648). Serrare leggermente la vite del mirino (con una coppia di circa 1 Nm).



5.4.1 Fig. 1

5.4.2 Tacca di mira

Smontare i componenti principali della pistola, come descritto nella sezione 4.1.1.

REGOLAZIONE LATERALE

In caso di colpo troppo a sinistra ruotare la vite di regolazione laterale in senso orario, in caso di colpo troppo a destra ruotarla in senso antiorario. A questo scopo utilizzare la punta piccola del cacciavite in dotazione 5.4.2 Fig. 1).

Per una distanza di tiro di 25 m, lo spostamento del punto d'impatto è di circa 5 mm per ogni click.

5 REGOLAZIONE DELLA PISTOLA SECONDO LE ESIGENZE DELL'UTILIZZATORE

REGOLAZIONE IN ALTEZZA

In caso di derivazione verso l'alto ruotare la vite di regolazione dell'altezza in senso orario, in caso di derivazione verso il basso ruotarla in senso antiorario. A questo scopo utilizzare la punta piccola del cacciavite in dotazione 5.4.2 Fig. 2). Per una distanza di tiro di 25 m, lo spostamento del punto d'impatto è di circa 10 mm per ogni click.



5.4.2 Fig. 1

ESTRAZIONE DELLA TACCA DI MIRA

Smontare i componenti principali della pistola, come descritto nella sezione 4.1.1.

Con la chiave esagonale SW1,5 allentare i due perni filettati nella tacca di mira (5.4.2 Fig. 3) ed estrarre la tacca di mira lateralmente dalla piastra di montaggio (5.4.2 Fig. 4).

Il rimontaggio avviene nell'ordine inverso. Pulire le tracce di olio sui perni filettati e sulla filettatura nella tacca di mira. Bloccare i perni filettati con una colla industriale (per es. Loctite 648). Serrare leggermente i perni filettati (con una coppia di circa 0,6 Nm).

Se la tacca di mira deve essere sostituita con una tacca nuova, attenersi alle indicazioni che accompagnano la tacca di mira nuova.



5.4.2 Fig. 2



5.4.2 Fig. 3



5.4.2 Fig. 4

EN
DE
FR
ES
IT
TU

5.4.3 Sostituzione della piastra di montaggio

Piastre di montaggio per diverse visiere reflex disponibili come accessori. Che consentono di montare organi di mira di marca Docter (01), Trijicon (02) e Leupold o DeltaPoint (04). Sulle piastre di montaggio sono applicate iscrizioni corrispondenti.



5.4.3 Fig. 1

Prima di cambiare la piastra di montaggio, smontare i componenti principali della pistola, come descritto nella sezione 4.1.1. Con la chiave per viti esagonali SW2,5 rimuovere in seguito le due viti a esagono incassato (5.4.3 Fig. 1). Togliere ora la piastra di montaggio dall'otturatore agendo verso l'alto.



5.4.3 Fig. 2



NOTA:

Non scambiare le viti a esagono incassato con viti che appartengono ad un altro dispositivo di mira. Le viti a esagono incassato presentano una filettatura metrica. Si tratta di viti di misura M3x6. La pistola ha in dotazione due di queste viti come riserva (5.4.3 Fig. 2). La filettatura di queste viti è provvista di un frenafilietti blu.

Appoggiare la piastra di montaggio desiderata dall'alto sull'otturatore, mantenendo l'iscrizione della piastra di montaggio nella parte inferiore. Tirare la piastra di montaggio in direzione della canna al momento dello serraggio delle viti a esagono incassato (5.4.3 Fig. 3). Serrare le due viti con una coppia di circa 2 Nm. Per il montaggio della tacca di mira desiderata osservare le indicazioni del relativo produttore (5.4.3. Fig. 4).



5.4.3 Fig. 3



5.4.3 Fig. 4

6 SPECIFICHE TECNICHE

6 SPECIFICHE TECNICHE

Calibro	9 mm x 19 (9 mm x 21)
Capacità caricatore (min.)	15 colpi
Dimensioni totali, (L/L/A) (min.)	220 / 36 / 137 mm
Lunghezza canna	127 mm (5")
Passo rigatura	250 mm rigatura destrorsa
Profilo canna	Poligono
Larghezza linea di mira	181 mm
Larghezza, gancio tacca di mira	3 mm
Larghezza, mirino	2,9 mm
Altezza, mirino	5,3 mm
Peso, pistola con caricatore vuoto	1160 g
Peso, caricatore vuoto	80 g
Energia di espulsione E₃, peso proiettile	500 J 8 g
Funzionamento	a corto rinculo di canna, tipo Browning
Sistema di chiusura	arma semiautomatica, a percussore interno (senza cane)
Configurazione	Quick Defense Trigger
Forza/corsa grilletto	25 N / 9 mm (identica per ogni sparo)
Materiali	carrello-otturatore, canna e fusto: acciaio al carbonio con trattamento Tenifer®
Sicure	Interruttore, sicura del grilletto e del percussore

*Dati basati su cifre medie. I valori effettivi possono variare.
Tenifer® is a registered trademark of Durlferri GmbH, Germany.*

EN

DE

FR

ES

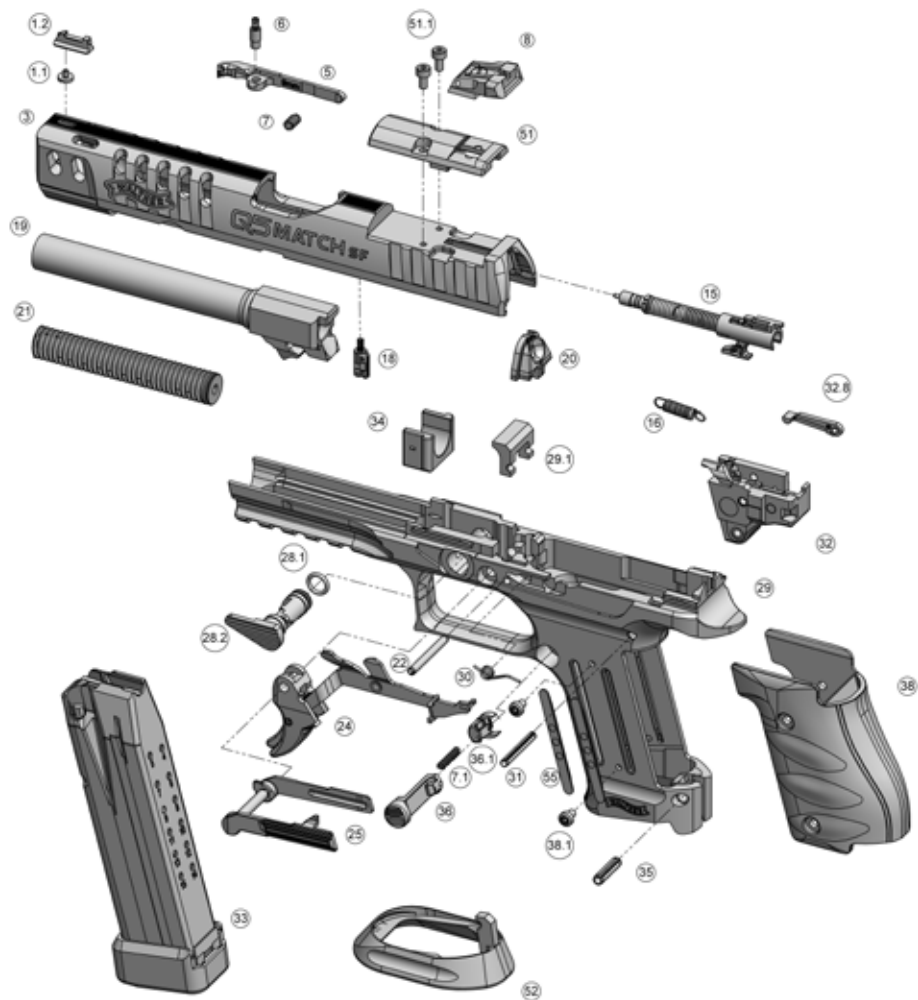
IT

TU

Q5 MATCH SF

7 VISTA ESPLOSA

7 VISTA ESPLOSA



8 DISTINTA DEI COMPONENTI

8 DISTINTA DEI COMPONENTI

n.	Descrizione	n.	Descrizione
1.1	Vite del mirino	28.2	Sicura del carrello
1.2	Mirino	29	Fusto
3	Carrello-otturatore	29.1	Insero rettificato
5	Estrattore	30	Molla, leva arresto carrello-otturatore
6	Gruppo estrattore, completo	31	Perno 3x24
7	Molla, ritegno dell'estrattore	32	Corpo del grilletto, assemblato
7.1	Molla, pressore del caricatore	32.8	Guida grilletto
8	Tacca di mira	33	Caricatore
15	Gruppo percussore	34	Insero guida anteriore del carrello-otturatore
16	Molla di ritorno grilletto	35	Perno 4x16
18	Gruppo sicura sul percussore, completo	36	Ritegno del caricatore
19	Canna	36.1	Clip ritegno del caricatore
20	Tappo otturatore	38	Guancetta
21	Gruppo guidamolla di recupero	38.1	Vite per guancetta
22	Perno 3x28	51	Piastra adattatore tacca di mira
24	Grilletto, completo	51.1	Vite per piastra adattatore
25	Leva arresto otturatore	52	Portacaricatore
28.1	O-ring sicura del carrello	55	Guida del caricatore

EN

DE

FR

ES

IT

TU

Q5 MATCH SF

WALTHER

KULLANIM KILAVUZU

TABANCA Q5 MATCH SF

EN

DE

FR

ES

IT

TU



BU ATEŞLİ SİLAHI KULLANMADAN ÖNCE, BU İLAVUZDA
YER ALAN TALİMAT VE UYARILARI DİKKATLE OKUYUN.

STEEL FRAME

**NOT:**

Bu kullanım kılavuzu tabancanın sivil kullanıcılar tarafından kullanımına ilişkindir. Tabancanın resmi görevlilerce kullanımına ait şartlar, bu kullanım kılavuzunda belirtilen bilgilerden farklılık gösterebilir.

Bu kullanım kılavuzunda tabancanın normal atışa hazır vaziyette, yani namlunun yatay, kabzanın aşağıya bakan ve namlu ağzının öne doğru bakan bir konumda olduğu öngörülmüştür. “Yukarı”, “aşağı”, “sağ”, “sol” ile “ön” ve “arka” gibi ifadelerde, tabancayı atışa hazır vaziyette elinde tutan bir atıcının bakış açısı temel alınmıştır. Açıklamalar sağ elini kullananlar tarafından kullanıma ilişkindir. Solakların işe kendileri için uygun şekilde hareket etmeleri rica olunur.

Lütfen şunları dikkate alınız: Bu kullanım kılavuzunda yer alan şekiller açıklama amaçlı olup gerçek silahlardan farklı olabilir.

İÇİNDEKİLER

1	Güvenlik uyarıları	4
2	Ürün tanımı	5
2.1	İşlev sırası	5
2.2	Teslimat içeriği	5
2.3	Mühimmat	6
2.4	Kumanda ve fonksiyon birimleri	7
3	Kullanım	10
3.1	Tabancanızın kontrol edilmesi	10
3.2	Doldurma	11
3.3	Tetik ile atış	12
3.4	Şarjör değiştirme	13
3.5	Boşaltma	13
3.6	Patlamayan mermiler	14
4	Sökme, temizlik, yağlama ve bakım	15
4.1	Ana gruplar	15
4.2	Ateşleme iğnesi birimi	16
4.3	Tırnak	17
4.4	Şarjör	18
4.5	Kilit yayı ünitesi	20
4.6	Temizleme	21
4.7	Yağlama	22
4.8	Depolamaya hazırlık	23
5	Tabancanın kullanıcıya uyumlu hale getirilmesi	23
5.1	Şarjör mandalı	23
5.2	Kabza kapaklarının değiştirilmesi	24
5.3	Tetik	25
5.4	Nişangah	26
6	Teknik veriler	29
7	Parça şeması	30
8	Parça listesi	31

EN

DE

FR

ES

IT

TU

1 GÜVENLİK UYARILARI

- Tabancanın kullanımından önce bu kullanım kılavuzunu dikkatlice okuyunuz. Tabancayı ancak kılavuzu iyice anladıktan sonra kullanınız. Tabanca parçalarıyla ilgili her anlatım ve her işlem genel olarak bu kullanım kılavuzunda sadece bir defa verilmiştir. Bu yüzden kapsamına bağlı olarak, varsa başka bölümlerde mevcut açıklamalara atıf yapılır.
- Emniyet kontrolü için ve kullanımdan önce, arızalarda ve temizlemeden önce tabancanın boş olduğundan (şarjörün tabanca dışında ve mermi yatağının boş olduğundan), namluda yabancı cisimlerin bulunmadığından ve şarjörün boş olduğundan emin olunmalıdır.
- Tabancayı ve mühimmatını birbirinden ayrı olarak muhafaza ediniz. Özellikle çocuklar olmak üzere, yetkisiz kişilerin bunlara erişebilmesini önleyiniz.
- Tabanca boş bile olsa sanki doluymuş gibi davranınız. Tabancayı kendinizi ve başkalarını tehdit etmeyecek şekilde tutunuz. Tabancayı daima emniyetli bir yöne doğru tutunuz. Tabanca boş olsun veya dolu olsun asla şahıslara veya atış yapmak istemediğiniz hedeflere doğrultmayınız. Unutmayınız ki en güvenli tabanca bile, hatalı veya uygun olmayan şekilde kullanılması durumunda kendiniz ve diğer insanlar için tehlikeli olabilir.
- Dikkat! Atış yapmak istemediğiniz müddetçe parmağınız tetikte olmamalıdır. Tetik parmağınız tetik muhafazasının dışında olmalıdır. Tetik sadece tabanca hedefe doğrultulmuş ise çekilmelidir.
- Kullanım, kontrol, sökme, temizleme ve birleştirme esnasında asla zor kullanmayınız. Hatalı kullanım, tabancanın işlevselliğini ve güvenilirliğini tehlikeye atar. Tabancayı sadece bu kılavuzda anlatılan kapsam ve sınırlar dahilinde sökünüz.
- Tabancanın güvenliği ve işlevselliği ancak tabanca ve mühimmatının teknik açıdan kusursuz durumda olduğu sürece sağlanmıştır.
- Tabanca dış etkilere (örn. paslanma, yere düşme vs.) maruz kaldıktan sonra kalifiye bir silah ustası tarafından kontrol edilmelidir.
- Atış yaparken daima koruyucu kulaklık ve gözlük kullanınız. Yakınızdaki bulunan kişileri de koruyucu kulaklık ve gözlük kullanmaları konusunda uyarınız.
- Silahınız belirli bir kalibrenin mühimmatına uygun olarak tasarlanmıştır. Tabancanıza uygun mühimmat tanımı silahın üzerinde belirtilmiştir. Sadece C.I.P. (Commission Internationale Permanente pour l'Epreuve des Armes à Feu Portatives) veya S.A.A.M.I. (Sporting Arms and Ammunition Manufacturers' Institute) adlı kuruluşların standartlarına ve silahın kalibresine uygun mühimmat kullanınız. Özellikle tekrar doldurulmuş mühimmat kullanımında normların izin verdiği gaz basıncı değerlerinin aşılmasına özen gösteriniz. Aşırı basınç bir silaha zarar verebilir hatta silahı parçalayabilir. Silah için öngörülen değerlerden daha yüksek bir mermi hıza ve gaz basıncına sahip mühimmat, silaha ek yük bindirir, aşırı aşınmaya neden olur ve silahın ciddi hasar görmesine sebebiyet verebilir.
- Silahı doldurmadan önce daima fazla olan gresi ve yağı temizleyiniz ve namlunun temiz, yabancı cisimlerden arınmış olduğundan emin olunuz.

2 ÜRÜN TANIMI

- Yalnızca orijinal Walther parça ve aksesuar kullanın.
- Onarım ve bakım işlemleri WALTHER veya kalifiye bir servis tarafından gerçekleştirilmelidir.
- Bilinçsiz veya hatalı olarak yapılan değişiklikler tabancanın güvenlik ve güvenilirliğini tehdit edebilir, hatta yaralanmalara ya da ölümlere sebep olabilir.

YASAL SORUMLULUK UYARISI

Silahların kullanımı daima özel bir dikkat gerektirir. Her zaman, istemeden de olsa, insan hayatına ya da mala zarar verme riski vardır. WALTHER, tabancanın hatalı veya yürürlükteki mevzuata aykırı kullanımından kaynaklanan hasarlar için herhangi bir sorumluluk kabul etmez. Aynı husus, bu kullanım kılavuzuna uyulmaması, yetkisiz parça değişimi veya bu kullanım kılavuzunda açıkça öngörülmediği halde tabancaya yapılan diğer müdahaleler nedeniyle ortaya çıkabilecek hasarlar için de geçerlidir.

2 ÜRÜN TANIMI

2.1 İşlev sırası

Q5 Match SF'un kapak sistemi, kilitleli sürgülü otomatik doldurma prensibine göre çalışır.

Tetiğin çekilmesi esnasında ateşleme iğnesi kilidi kurulur ve tetiklenir. Ateşleme iğnesi merminin kapsülüne vurur ve sevk barutunu ateşler. Mermi oluşan gaz basıncı vasıtasıyla namludan dışarı itilir, aynı anda namlu ile aynı hizada kilitleli vaziyetteki kapak takımına bir basınç etkisi oluşur. Namlunun ve kapağın kısa bir birlikte geri hareketten sonra namlu aşağıya yönlendirilir ve kapak açılır. Kapak yerine getiren yayın kuvvetine karşı sonuna kadar geriye kayarken ve kovani sağdan dışarı atarken namlu hareketsiz kalır.

Yayın itmesi ile kapak tekrar öne doğru hareket ederken en üstteki mermiyi şarjörden mermi yatağına sürer. Kapağın öne doğru hareketi tamamlanmasına kısa süre kala namlu üst ön tarafa doğru itilir ve kapağın kovani fırlatma penceresinde kilitleilir. Atış parmağını tetikten çekilir ve tabanca bir sonraki atışa hazırdır.

2.2 Teslimat içeriği

- Plastik kutu içinde tabanca
- Atış resmi
- 1,5'lik / 2,5'lik Allen anahtar
- 2 ad. Allen vida M3x6
- 2 ad. yedek şarjör
- Kullanım kılavuzu
- Tornavida
- doldurma yardımcısı



NOT: Modele bağlı olarak ambalaj içeriğinde farklılıklar olabilir.

Q5 MATCH SF

2 ÜRÜN TANIMI

2.3 Mühimmat

UYARI Sadece tabancanıza uygun mühimmat kullanınız. Yanlış mühimmat işlev arızalarına, ateşleme hatalarına veya yüksek gaz basıncından dolayı tabancanın arızalanmasına veya kullanılamaz hale gelmesine sebep olabilir.

Namlunun sağ tarafında sizin Q5 Match SF'unuza uygun olan mühimmat belirtilmiştir (bkz. 2.3 Şekil 1). Sadece bu mühimmat tanımına uygun ve gaz basıncı C.I.P veya SAAMI'nın verilerine uygun ya da "Düşük oranda zararlı madde içeren 9 mm x 19 mermiler için Teknik Yönerge"ye göre polis silahlarında kullanımı için onaylanmış olan mermiler kullanınız. Kullanımdan önce mühimmattı kontrol ediniz. Sadece kusursuz mühimmat kullanınız.



2.3 Şekil 1

Tabanca ve mühimmat birlikte bir sistemi oluşturduğu için birbirlerine uygun olmalıdırlar. Güvenilirlikleri karşılıklı olarak birbirlerine bağlıdır. Mermi hızı, mermi ağırlığı ve silah ağırlığının farklı kombinasyonları, atıcı tarafından hissedilen geri tepmeyi belirler. Tabancanın çok fazla geri tepmesi, bazı atıcıları rahatsız edebilir.

Örnekler:

- Silah ağırlığı: Silah ağırlığının daha düşük olması, geri tepmenin daha şiddetli olmasına yol açar.
- Mermi ağırlığı: Mermi ne kadar ağır olursa, geri tepme de o kadar şiddetli olur.
- Mermi hızı: Mermi hızının yüksek olması, daha şiddetli bir geri tepmeye neden olur.

Daha şiddetli bir geri tepmeye alışmak için şu şekilde hareket edebilirsiniz:

- Atış yaparken tabancayı iki elinizle tutunuz.
- Tabancanıza uygun mühimmatla, düşük mermi ağırlığı ve düşük mermi hızı ile başlayınız.
- Tabancanıza uygun daha hafif mühimmat, daha düşük mermi hızı ve daha düşük mermi ağırlığı için yetkili bayinize başvurunuz.

2 ÜRÜN TANIMI

2.4 Kumanda ve fonksiyon birimleri



- | | |
|-----------------------------------|---|
| 1 Kapak | 10 Şarjör |
| 2 Arpacık | 11 Kabza |
| 3 Namlu tutucu askısı | 12 Şarjör çıkartma mandalı (öteki tarafa takılabilir) |
| 4 Namlu | 13 Tetik |
| 5 Mekanizma tespit mandalı yuvası | 14 Tetik muhafazası |
| 6 Kavrama çentikleri | 15 Gövde |
| 7 Mekanizma tespit mandalı | 16 Aksesuar rayı |
| 8 Gez | |
| 9 Kabza kapağı | |

Şekilde tabanca, kapağı açık halde görülüyor

- | |
|--------------------------------|
| 17 Yerine getiren ray kılavuzu |
| 18 Namlu ağzı |
| 19 Model |



- | |
|---------------------------------|
| 20 Serinumarası |
| 21 Kapak takımı arka kapağı |
| 22 Boş kovan fırlatma penceresi |
| 23 Tırnak ("dolu" göstergesi) |

Q5 MATCH SF

2 ÜRÜN TANIMI

2.4.1 “Dolu” Göstergesi

Tirnak bir doluluk durum göstergesidir. Eğer mermi yatağında bir mermi ya da mermi kovani varsa renkli işaret görülür (2.4.1 Şekil 1).



2.4.1 Şekil 1

⚠ DİKKAT

Emniyet kontrolü esnasında sadece doluluk göstergesine güvenmeyiniz.

Emniyet kontrolünde en güvenli yöntem, mermi yatağına bakmaktır. Bunun için şarjörü tabancadan çıkartınız, kapağı sonuna kadar geriye doğru çekiniz ve mekanizma tespit mandalı ile sabitleyiniz. Son olarak mermi yatağına bakınız.

Bir silahı elinize alırken daima doluymuş gibi hareket ediniz. Doluluk göstergesi her ne kadar mermi yatağında bir merminin bulunup bulunmadığı hakkında bilgi verse de ışık şartları, silahın kirli olması ya da başka faktörler merminin kesin olarak tespitini zorlaştırabilir.

2.4.2 Şarjör çıkartma mandalı

Şarjör mandalı kabzanın yan tarafındadır.

Kullanım:

Parmak tetik muhafazasının dışındadır ve tetiğe dokunmaz. Şarjör mandalını aşağı doğru bastırınız ve şarjörü çıkartınız (2.4.2 Şekil 1).



2.4.2 Şekil 1

2.4.3 Mekanizma tespit mandalı

Kapağın açık konumda iken sabitlenmesi:

Parmaklar tetik muhafazasının dışındadır ve tetiğe dokunmazlar. Şarjörü çıkarttıktan sonra kapağı arka bölümündeki çentikli kısımdan kavrayarak kuvvetlice sonuna kadar geri çekiniz. Mermi yatağında mermi varsa bu mermi, mermi yatağından çıkartılacak ve dışarı fırlatılacaktır. Kapağı en geri konumda tutarken mekanizma tespit mandalını yukarı doğru itiniz ve kapak tespit mandalı tarafından durdurulana kadar öne doğru yavaşça bırakınız (2.4.3 Şekil 1).



2.4.3 Şekil 1

2 ÜRÜN TANIMI

Mekanizma tespit mandalının indirilmesi (çözülmesi):

Atış yaptığınız elinizin başparmağı ile mekanizma tespit mandalını, kapak hızla öne doğru hareket edene kadar aşağı doğru itiniz. Bu işlemin kolaylaşması için, mekanizma tespit mandalını yukarıda tarif edildiği gibi ittiğiniz sırada kapağı hafifçe geri çekebilirsiniz.

2.4.4 Şarjör

Şarjör muhafazasının delikleri sayesinde şarjörün doluluk durumu görünebilir (2.4.4 Şekil 1).



2.4.4 Şekil 1

EN

DE

FR

ES

IT

TU

3 KULLANIM

3.1 Tabancanızın kontrol edilmesi

- Q5 Match SF tabancanızı kontrol etmeden önce boş olduğundan emin olunuz. Namlu ağzını emniyetli bir yöne doğru tutunuz. Parmak tetik muhafazasının dışındadır ve tetiğe dokunmaz. Şarjör mandalını aşağı doğru bastırınız ve şarjörü çıkartınız (3.1 Şekil 1).
- Kapağın arka kısmındaki çentikli bölgeden kavrarak kuvvetlice sonuna kadar geri çekiniz (3.1 Şekil 2). Eğer mermi yatağında bir mermi varsa mermi bu işlem esnasında mermi yatağından çıkartılacak ve boş kovan fırlatma penceresinden dışarı atılacaktır. Fırlatma penceresinin önünü engellemeyiniz, aksi takdirde mermi düzgün bir şekilde dışarı atılamaz.
- Kapağı açık konumda sabitleyiniz: Kapağı en geri konumda tutarken mekanizma tespit mandalını yukarı doğru itiniz ve kapak tespit mandalı tarafından durdurulana kadar öne doğru yavaşça bırakınız (3.1 Şekil 3).
- Mermi yatağının ve namlunun boş, kuru ve temiz olduğundan emin olunuz (3.1 Şekil 4).

Bu kontrol işlemini daima Q5 Match SF tabancanızı elinizden bırakmadan, temizlik yapmaya başlamadan, tabancayı başka bir kimseye vermeden, nakliye veya depolamadan önce gerçekleştiriniz.



3.1 Şekil 1



3.1 Şekil 2



3.1 Şekil 3



3.1 Şekil 4

⚠ DİKKAT

Sadece teknolojiye güvenmeyiniz. Dikkatli bir şekilde davranarak siz de kendi güvenliğinize katkıda bulununuz. Silahlara muamele ederken güvenlik bilinci içinde olmanız kendi sorumluluğunuzdadır.

3 KULLANIM

3.2 Doldurma

3.2.1 Şarjörün doldurulması

Şarjör muhafazasının delikleri sayesinde şarjörün doluluk durumu görülebilir (3.2.1 Şekil 1).



3.2.1 Şekil 1

UYARI

Sadece tabancanız için geçerli şarjörleri kullanınız. Yalnız şarjörler işlev arızalarına tabancanın ve şarjörün hasar görmesine sebep olabilir.

DİKKAT

Şarjörün üzerinde belirtilen daha fazla sayıda mermiyi şarjöre doldurmaya çalışmayınız. Bu, besleme arızalarına sebep olabilir. Zor kullanmayınız, çünkü bu da şarjörün hasar görmesine sebep olabilir. Hasar görmüş veya deforme olmuş şarjör ve şarjör dudakları işlev arızalarına ve tabancanızın işlemez duruma gelmesine sebep olabilirler.

Mermi tabanı ile mermi sürücü tablanın ön kısmını aşağıya doğru bastırıp mermiyi şarjör dudaklarının altına, şarjörün arka duvarına temas edene kadar iterek şarjörü doldurunuz (3.2.1 Şekil 2).

Bu işlemi daima bir sonraki merminin tabanı ve diğer elinizin başparmağı ile en üstteki mermiyi aşağıya doğru bastırıp yeni mermiyi şarjör dudaklarının altına sürerek tekrarlayınız.

Doldurma işleminde kolaylık sağlamak için tedarik edilebilen Walther doldurma yardımcısı kullanılabilir:

Bu yardımcı birimi üstten şarjöre takınız (3.2.1 Şekil 3), birimi aşağıya doğru bastırınız ve diğer elinizle bir mermiyi şarjör dudaklarının altına yerleştiriniz (3.2.1 Şekil 4). Yardımcı birimi hafifçe kaldırınız ve mermiyi tamamen şarjör dudaklarının altına itiniz (3.2.1 Şekil 5).



3.2.1 Şekil 2



3.2.1 Şekil 3



3.2.1 Şekil 4



3.2.1 Şekil 5

3.2.2 Tabancanın doldurulması

- Bölüm 3.1'de tarif edildiği gibi tabanca kontrol işlemini yapınız.
- Q5 Match SF'un namlu ağzını emniyetli bir yöne doğru tutunuz. Parmağınız tetik muhafazasının dışında olmalı, özellikle de tetiğe dokunmamalısınız. Şarjörü tam olarak oturana kadar şarjör kaldıracına yerleştiriniz. Şarjör tabancanın aşağıya doğru çekerek şarjörün tam olarak yerine oturduğundan emin olunuz. Şarjör yerinden çıkmıyorsa doğru oturmuştur.
- Kapağı geri çekiniz ve hızlı bir şekilde öne doğru bırakınız.



DİKKAT

Mermileri sadece şarjör vasıtasıyla mermi yatağına yerleştiriniz. Asla tek bir mermiyi kovan fırlatma penceresinden içeri sokarak mermi yatağına sürmeyi denemeyiniz. Böyle bir denemede ciddi olarak yaralanabilirsiniz, hatta kendinizin veya bir başkasının ölümüne sebep olabilirsiniz.



UYARI

Tabanca şimdi atışa hazır durumdadır. Tabancanın ve şarjör doludur, tetik çekildiğinde atış gerçekleşecektir. Namlu ağzını mutlaka emniyetli bir yöne doğru tutunuz, parmağınızı veya başka herhangi bir nesneyi tetikten uzak ve tetik muhafazasının dışında tutunuz. Dolu bir silahı asla elinizden bırakmayınız.

3.3 Tetik ile atış

- Namlu ağzını emniyetli bir yöne doğru tutunuz ve atış yapmak istediğiniz ana kadar tetik parmağınızı tetikten uzakta ve tetik muhafazasının dışında tutunuz.
- Q5 Match SF'un kabzasının avantajlı tasarımından faydalanmak için kabzayı mümkün olduğunca yüksekte kavrayınız. Bu sayede tabanca atışta daha iyi kavranmış olur.
- Tabancanın kabzasını sıkıca tutarken, parmağınız ön tarafta tetiğin üzerine gelir ve atış gerçekleşene kadar gittikçe artan bir kuvvetle tetiği çeker. Atış gerçekleşirken kapak geriye doğru hareket eder ve boş kovana dışarı atar. Sonrasında kapak tekrar öne doğru hareket ederken şarjörden bir sonraki mermiyi alıp mermi yatağına sürer.
- Atıştan sonra parmağınızı tetikten çekersiniz ve bir sonraki atışa hazır olana kadar parmağınızı tetik muhafazasının dışında tutarsınız. Bu işlemleri son atışa kadar tekrarlayabilirsiniz.
- Son atıştan sonra şarjörün mermi sürücü tablası mekanizma tespit mandalını hareket ettirir ve kapak açık konumda sabit kalır.

⚠ DİKKAT

Atış sırasında koruyucu kulaklık ve gözlük kullanınız. Atış esnasında veya mekanizma tespit mandalının hareket ettirilmesi durumunda kapak son derece yüksek bir kuvvet ve hız ile boylamasına hareket eder. Bu sebeple vücudunuzun herhangi bir bölümünün kapağın hareket hattı üzerinde bulunmasına dikkat ediniz ve tabancayı böyle bir şeyi önleyecek şekilde tutunuz.

3.4 Şarjör değiştirme

Son atıştan sonra şarjörün mermi sürücü tablası mekanizma tespit mandalını hareket ettirir ve kapak açık konumda kalır.

- Şarjör çıkartma mandalını aşağıya itiniz ve şarjörü çıkartınız.
- Yeni bir şarjör takınız.
- Kapağı geri çekiniz ve hızlı bir şekilde öne doğru bırakınız.

⚠ UYARI

Tabanca tekrar atışa hazırdır. Tabancanın namlu ağzını emniyetli bir yöne doğru tutunuz ve bir sonraki atışa hazır olana kadar tetik parmağınızı tetikten uzakta ve tetik muhafazasının dışında tutunuz.

3.5 Boşaltma

- Namlu ağzını emniyetli bir yöne doğru tutunuz. Parmak tetik muhafazasının dışındadır ve tetiğe dokunmaz. Şarjör mandalını bastırınız ve şarjörü çıkartınız (3.5 Şekil 1).
- Kapağın arka kısmındaki çentikli kavrama yerinden tutunuz (3.5 Şekil 2) ve sonuna kadar kuvvetlice geri çekiniz. Eğer mermi yatağında bir mermi varsa bu mermi, mermi yatağından çekilecek ve dışarı fırlatacaktır.



3.5 Şekil 1

Boş kovan fırlatma penceresinin önünü engellemeyiniz, aksi takdirde mermi emniyetli bir şekilde fırlatılmaz.

- Kapağı açık durumda sabitleyiniz:

Kapağı en geri konumda tutarken, mekanizma tespit mandalını yukarı doğru itiniz ve kapak, mandal tarafından yakalanana kadar yavaşça öne doğru bırakınız (3.5 Şekil 3).



3.5 Şekil 2



3.5 Şekil 3

Q5 MATCH SF

3 KULLANIM

- Mermi yatađını kontrol ediniz (3.5 Őekil 4). Mermi yatađı boş olmalıdır. Őarjör kaldıracını kontrol ediniz. İçi boş olmalıdır.
- Őarjörü boşaltmak için mermilerin ucu size bakmayacak Őekilde tutunuz. Mermileri her defasında en üsttekini dıŐa dođru iterek Őarjörden boşaltınız.



3.5 Őekil 4



UYARI

Tabancada dolu bir Őarjör varken kapađı kapattıđınızda daima bir mermi, mermi yatađına sũrũlũr ve tabanca atıŐa hazır hale gelir.

3.6 Patlamayan mermiler

- Bir merminin patlamaması durumunda 60 saniye bekleyiniz ve bu arada namlu ađzını emniyetli bir yũne dođru tutunuz.
- Tabancayı “3.5 BoŐaltma” bũlũmũnde anlatıldıđı Őekilde boşaltınız.
- Őimdi mermi yatađını ve namluyu gũzle muayene edebilirsiniz. Mermi yatađı ve namlu boş olmalıdır.

4 SÖKME, TEMİZLİK, YAĞLAMA VE BAKIM

**DIKKAT**

Çalışmalara başlamadan önce tabancanın ve şarjörün boş olduğundan emin olunuz.

4.1 Ana gruplar

**UYARI**

Sökme işlemini tamamlayabilmek için tetiği çekmeniz gerekecektir. Tabancanızı gerektiği gibi boşaltmadığınız takdirde mermi yatağında gerçek mermi kalmış olabilir. Bu durumda tabanca ateş alarak sizin ya da başkasının ciddi şekilde yaralanmasına veya ölümüne ve de mala zarar gelmesine sebep olabilir. Bu nedenle, tetiği çekmeden önce mutlaka mermi yatağını ve şarjör kaldıracını (açıklığı) gözle muayene ederek boş olduklarından emin olmak zorundasınız.

4.1.1 Sökme

- Tabancayı boşaltınız. Şarjörü çıkartınız ve kapağı açık konumda sabitleyiniz. Mermi yatağı ve şarjör kaldıracı boş olmalıdır.
- Namlu tutucuyu saat yönünde dayanak noktasına kadar yukarı kaldırın (4.1.1 Şekil 1).
- Kapağı geriye doğru çekiniz ve öne hareket ettiriniz.
- Namluyu güvenli bir yöne doğrultun ve tetiği çekerek kurulu iğne mekanizmasını boşa alın.
- Parmağınızı tetikten çekin.
- Kapağı gövdeden ileri doğru itiniz.
- Yerine getiren yay birimini yay kuvvetine karşı yöne bastırarak çıkartınız (4.1.1 Şekil 2).
- Namluyu kapaktan çıkartınız.
- 4.1.1 Şekil 3 ana gruplarına bölünmüş (sökülmüş) tabancayı göstermektedir.



4.1.1 Şekil 1



4.1.1 Şekil 2



4.1.1 Şekil 3

EN

DE

FR

ES

TU

Q5 MATCH SF

4 SÖKME, TEMİZLİK, YAĞLAMA VE BAKIM

4.1.2 Parçaların birleştirilmesi (montaj)

- Kapak alt kısmı yukarıya bakacak şekilde tutunuz. Namluyu yerleştiriniz, bkz. ayrıca 4.1.2 Şekil 1.
- Yerine getiren yay birimini yerleştiriniz; Yerine getiren yay birimini yay kılavuzu çubuğunun küçük yay namlu ağız yönüne bakacak şekilde kapağın yay yatağına yerleştiriniz ve sonra yerine getiren yay basıncına karşı arka ucunu namludaki çukura (girintiye) yerleştiriniz (4.1.2 Şekil 1-2).
- Monte edilmiş olan kapağın kanallarını ilk önce ön daha sonra arka gövde raylarına geçirin (4.1.2 Şekil 3). Kapağı sonuna kadar geriye doğru çekiniz ve sonra öne doğru kilitli pozisyona hareket etmek üzere bırakınız.
- Kilit mekanizmasını dayanak noktasına kadar geri çekin ve onu sürgü tutucuyla sabitleyin.
- Namlu tutucuyu saatin tersi yönde dayanak noktasına kadar tekrar indirin.
- Kilit mekanizmasını geri çekin ve tekrar öne götürün.



4.1.2 Şekil 1



4.1.2 Şekil 2



4.1.2 Şekil 3

4.2 Ateşleme iğnesi birimi

4.2.1 Ateşleme iğnesi biriminin sökülmesi

- Tabancayı ana gruplarına ayırınız (Bölüm 4.1.1).
- Kapağı, namlu ağız bir altlığın üstüne gelecek şekilde destekleyiniz. Kapağı, arkadaki kavrama çentiklerinden tutunuz. Kapak takımı arka kapağının sağ üstündeki kare şeklindeki deliğin içindeki pimi 2 mm'lik bir pim zımbası kullanarak dayanak noktasına kadar içeri bastırınız (4.2.1 Şekil 1) ve kapak takımı arka kapağını biraz aşağıya itiniz. Kapak takımı arka kapağını aşağıya doğru çekerek kapaktan çıkarınız (4.2.1 Şekil 2).
- Ateşleme iğnesi birimini çekerek kapaktan dışarı çekiniz (4.2.1 Şekil 3).



4.2.1 Şekil 1



4.2.1 Şekil 2



4.2.1 Şekil 3

4 SÖKME, TEMİZLİK, YAĞLAMA VE BAKIM

4.2.2 Ateşleme iğnesi biriminin takılması

- Ateşleme iğnesi birimin yerleştiriniz.
- Ateşleme iğnesinin arka ucunu kapak takımı arka kapağı ile içeri doğru bastırınız ve kapak takımı, arka kapağını alt kısımdan kılavuzuna tam yerine oturana kadar itiniz (bkz. ayrıca 4.2.1 Şekil 2).



4.2.2 Şekil 1



4.2.2 Şekil 2

4.3 Tırnak

UYARI

Ateşleme iğnesi emniyeti sadece, ateşleme iğnesi daha önce kapağın içinden çıkarıldığı takdirde sökülebilir. Ateşleme iğnesini sökmek için Bölüm 4.2'de açıklanan adımları uygulayınız.

4.3.1 Tırnağın sökülmesi

DİKKAT

Koruyucu gözlük takınız. Tırnak pimi ve ateşleme iğnesi emniyeti, yay basıncı altındadır. Tırnak sökülürken bu parçalar dışarıya fırlayabilir.

- Kapak parçasını, nişangâh aşağı ve namlu ağı sola dönük olacak şekilde önünüze bırakınız.
- Tırnak pimini 2 mm'lik bir pim zımbasıyla yay kuvvetine karşı kapağın içine doğru, tırnak dışarıya atıncaya kadar bastırınız (4.3.1 Şekil 1). Pim zımbasını bir kenara bırakınız.
- Ateşleme iğnesi emniyetini ve tırnak pimini bir parmağınızla kapatırken, aynı zamanda tırnağı çıkarıp alınız. Şimdi ateşleme iğnesi emniyetini ve tırnağı kapaktan çıkarınız (4.3.1 Şekil 2).
- Tırnağa kuvvet uygulayan yayı kapak parçasından çıkarmayınız. Bu baskı yayı, uç vida dişlerinin uzatılmış olması sayesinde yerine sağlam oturmaktadır



4.3.1 Şekil 1



4.3.1 Şekil 2

Q5 MATCH SF

4 SÖKME, TEMİZLİK, YAĞLAMA VE BAKIM

4.3.2 Tırnağın takılması

- Kapağı nişangâh aşağı ve namlu ağı sola dönük olacak şekilde önünüze bırakınız.
- Tırnak pimini, yay önde olacak şekilde yerine oturtunuz.
- Baskı yayını ateşleme iğnesi emniyetindeki deliğe geçirmeden önce, yaya biraz silah yağı (gres yağı değil!) sürerek, ateşleme iğnesi emniyeti içindeki baskı yayını dışarı düşmeyeceği şekilde sabitleyiniz. Ateşleme iğnesi emniyetini yayıyla birlikte kapak parçasının içine oturtunuz. Emniyetin baskı yayının, kapakta öngörülen girintinin dibine oturması gerekmektedir. Doğru yere oturduğunda emniyet, mermi kovani oturma yivinin çok az altında bulunur (4.3.2 Şekil 1).
- Tırnağın uzun ucunu arkada kapağın tırnak aralığına dayayınız ve tırnağı diğer elinizin başparmağıyla kapaktaki tırnak pimine tutunuz. Aynı zamanda tırnağı kapağın ortasına doğru iterken, tırnak pimini 2 mm'lik bir pim zımbasıyla içeri bastırınız. Tırnaktaki göz şimdi tırnak pimini kilitleyecektir ve dolayısıyla pim zımbasını çıkarabilirsiniz (4.3.2 Şekil 2).
- Ateşleme iğnesi emniyetini, kapağın yüzeyiyle aynı hizada olana kadar içeri bastırınız. Aynı zamanda tırnağı başparmağınızla, tırnak pimi tırnaktaki deliğin içine oturuncaya kadar içeri bastırınız (4.3.2 Şekil 3).
- Ateşleme iğnesini Bölüm 4.2.2'de anlatıldığı gibi monte ediniz.



4.3.2 Şekil 1



4.3.2 Şekil 2



4.3.2 Şekil 3

4.4 Şarjör

4.4.1 Şarjörün sökülmesi



DİKKAT

Şarjör yayı basınç altındadır. Şarjörün sökülmesi sırasında parçalar dışarı fırlayabilir. Şarjörü sökerken dikkatli olunuz. Şarjör tabanını çıkartırken taban kapağını tutunuz ve taban kapağını şarjör yayı ile birlikte şarjör muhafazasından çıkartınız.

4 SÖKME, TEMİZLİK, YAĞLAMA VE BAKIM

1. 4 mm'lik bir pim zımbası kullanarak taban kapağını şarjör tabanındaki bir delikten şarjör muhafazası içine doğru bastırınız (4.4.1 Şekil 1).
2. Uzatmalı şarjör:
3. Şarjör tabanını, magazin muhafazasındaki dayanak noktasına kadar komple arkaya doğru itiniz. Keskin olmayan bir tornavida ucunu şarjörün sırtındaki taban kapağının açıklığının içine sürünüz. Taban kapağını şarjör dudakları yönünde, taban kapağı dışarı fırlayınca kadar itiniz (4.4.1 Şekil 2).
4. Taban kapağını şarjör yayı kuvvetine karşı tutarken tabanı öne doğru itiniz ve şarjör muhafazasından çıkartınız.
5. Taban kapağı ve şarjör yayını çıkartınız.
6. Mermi sürücü tablasını şarjör muhafazasını silkeleyerek çıkartınız.



4.4.1 Şekil 1



4.4.1 Şekil 2

4.4.2 Şarjör parçalarının birleştirilmesi

1. Önce mermi sürücü tablasını ve sonra şarjör yayı ile taban kapağını şarjör muhafazasına yerleştiriniz. Parçaların düzgün ve doğru yerleşmesine dikkat ediniz. Parçalar zor kullanılmadan monte edilebilirler (4.4.2 Şekil 1 ve 2).
2. Tabanca kapağını şarjör yuvasının içine bastırırken şarjör tabanını tam olarak oturana kadar önden itiniz (oturduğunu sesli olarak da duyabilirsiniz).

Uzatmalı şarjör:

Taban tutucuyu şarjörün içine basılı tutarken birden yandan taban tutucunun arka ucunu dışarıdan şarjörün arka duvarına dayayınız. Şarjör tabanını önden dayanak noktasına kadar sürünüz. Taban tutucunun yerine oturması için arka ucunu şarjörün içine bastırınız.



4.4.2 Abbildung 1



4.4.2 Abbildung 2

4.5 Kilit yayı ünitesi

- Tabancanın bakımını yaparken kilit yayı ünitesini parçalara ayırmak gerekli olmadığından bu işlemden kaçınılmalıdır.
- Kilit yayı ünitesi çok yüksek yay gerilimi altında olduğundan ve parçalara ayrılması büyük bir efor ve o kadar da beceriklilik gerektirdiğinden özellikle dikkatli davranılması gerekir.

4.5.1 Kilit yayı ünitesinin parçalara ayrılması

UYARI Koruyucu gözlük takın

- Kilit yayı çubuğunun geniş ucunu kaymaz bir altlığa dayayın.

DİKKAT Büyük bir efor gerektirir.

- Yayın üst kısmını yakl. ikinci ile üçüncü burğu arasında örneğin 10 mm'lik bir açık ağızlı anahtarla kavrayın ve yayı dayanma noktasına kadar aşağıya bastırın (4.5.1 Şekil 1).
- Kilit yayı rondelasını kavrayıp kilit yayı çubuğunun çentikli yerinde küçük bir eforla yana doğru çekip çıkarılabiliyene kadar kilit yayı çubuğu üzerindeki çentiğe kadar aşağıya kaydırın. Kilit yayı rondelasını çıkarırken kaba kuvvet kullanmayın. Aksi takdirde kilit yayı rondelası hasar görebilir (4.5.1 Şekil 2).
- Rondelayı bırakın ve kilit yayını yavaşça yukarıya kaydırın. Kilit yayı çubuğunun dar ucunu başparmağınızla tutarak açılmamasını sağlayın. Dikkat: Yüksek yay gerilimi! Yayı her iki elinizle kavrayın, uçları karşılıklı iki ayrı yöne çevirin ve aynı anda, yayın çubuğun dar ucundan çıkması için yayı açın. Son olarak yayı çubuk üzerinden çekip çıkarın.



4.5.1 Şekil 1



4.5.1 Şekil 2



4.5.1 Şekil 3

4.5.2 Kilit yayı ünitesinin montajı

**UYARI**

Koruyucu gözlük takın

- Kilit yayı çubuğunun geniş ucunu kaymaz bir altlığa dayayın. Kilit yayının ucunu elinizle basarak yay çubuğunun en altına kadar getirin.
- Kademeli olarak birkaç adımda yayı örneğin 10 mm'lik bir açık ağızlı anahtarla, üst ucu elinizle efor sarf ederek çubuk ucu üzerine geçirebilinceye kadar bastırın.
- Yayı açık ağızlı anahtarla yakl. ikinci ile üçüncü burğu arasında kavrarken yayın ucunu başparmağınızla sıkıca tutun. Açık ağızlı anahtarla yayı dayanma noktasına kadar aşağıya bastırın.
- Kilit yayı rondelasını kavrayın ve yan taraftan küçük bir eforla kilit yayı çubuğunun çentikli yerine geçirin. Kilit yayı rondelasını takarken kaba kuvvet kullanmayın. Aksi takdirde kilit yayı rondelası hasar görebilir.
- Son olarak yayın gerilimini yavaşça boşaltın ve açık ağızlı anahtarları çekip çıkarın.

4.6 Temizleme

**DİKKAT**

Temizleme işleminden önce tabanca ve şarjörün boş olduğundan emin olunuz.

Yeni tabancanızı ilk atışı yapmadan önce temizleyiniz. Tabanca fabrikadan çıkmadan önce paslanmaya karşı korunmak amacıyla kimyasal maddelerle veya yağla işlem görmüştür. Yeni tabancanızı ilk kullanımdan önce, namluyu, mermi yatağını ve dış yüzeylerini kapsayacak şekilde fazla yağdan temizleyiniz. Tabancanız hassas bir alettir. Tabancanın işlevlerini güvenilir bir şekilde yerine getirebilmesi için düzenli bakıma ihtiyacı vardır.

Tabancanız her kullanımdan sonra veya aşırı zor hava şartlarına maruz kaldıktan sonra temizlenmelidir. Tabancayı ana parça gruplarına ayırınız (sökünüz) (bkz. Bölüm 4.1).

Mermi yatağından başlayarak namluyu temizleme fırçası ve namlu temizleyici ile temizleyiniz. Namlu ve mermi yatağı temiz olmalıdır.

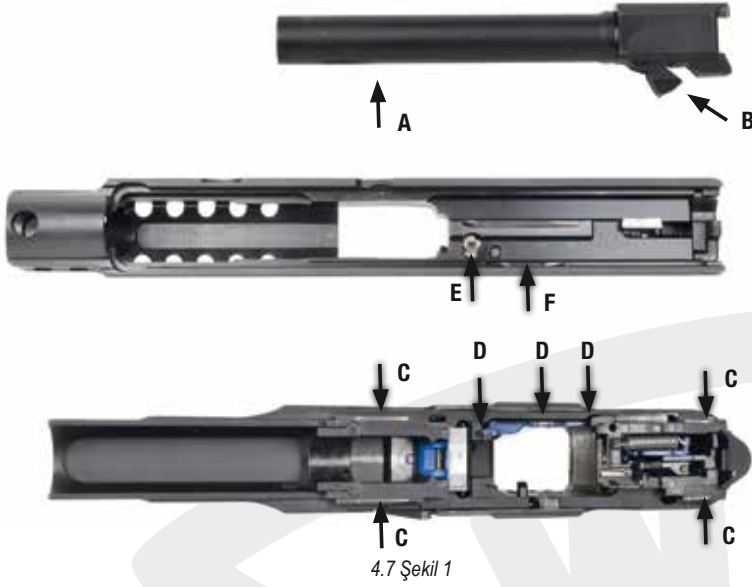
Namlunun dış yüzeylerini bez ve temizleme çubukları ile temizleyiniz.

Küçük bir fırça ve gerekirse yağ ile gövde, kapak, tırnak vs. gibi yerlerdeki kir kalıntıları temizleyiniz. Temizlikten sonra metal dış yüzeyleri hafifçe yağlayınız.

Tabanca soğuk bir ortamda kullanılacak veya depolanacak ise soğuk havalar için tavsiye edilen bir silah yağı kullanınız.

Q5 MATCH SF

4 SÖKME, TEMİZLİK, YAĞLAMA VE BAKIM



UYARI

Kullanacağınız temizleme maddelerinin kullanım talimatlarına mutlaka uyunuz. Bazı temizleme maddeleri tabancanıza zarar verebilir. Bu tür maddelerin uzun süre tabancaya nüfuz etmelerinden, ultrasonik banyoda uzun süreli temizlikten ve 50°C'nin üzerindeki ısılarda ultrasonik banyodan kaçınınız. Yalnızca tabanca bakımı için tavsiye edilen reçnesiz ve asitsiz temizlik maddeleri ve silah yağları kullanınız. Amonyak içeren ve alkalik çözücü maddeler kullanılmamalıdır.

4.7 Yağlama

Temizlikten sonra Q5 Match SF'un metal kısımlarının dış düzeyleri ve işlev parçaları hafifçe yağlanmalıdır (4.7 Şekil 1). Yalnızca reçine ve asitsiz silah yağı kullanınız. Aşırı miktarda yağ kullanmayınız. Fazla yağ kullanmışsanız bunu yağ damlalarından ve silah-tan yağ sızmasından anlarsınız. Fazla yağ sebebiyle tabanca içinde kir ve nem oluşur. Bu da tabancanın işlevselliğini tehdit eder. Ateşleme iğnesi deliğini yağlamayınız.

• Namlu:

Tabancayı temizledikten sonra namlu yüzeylerini ve namlu ile gövde arasındaki temas alanlarını yağlı bir bezle yağlayınız.

• Gövde:

Kapak kanallarını ve tetik çubuğu tevziat tertibatını muhafazasının birer damla yağ ile yağlayınız.

• Kapak takımı:

Resimdeki işaretli yerleri hafif yağlayınız.

5 TABANCANIN KULLANICIYA UYUMLU HALE GETİRİLMESİ



• Şarjör:

Şarjör muhafazasının dışını hafifçe yağlayınız.

4.8 Depolamaya hazırlık

Lütfen ülkenizin ateşli silahlar ve mühimmatla ilgili mevzuat hükümlerine dikkat ediniz.

Tabancanızı nemi çeken ve tutan bir malzeme (örn. deri veya kalın bezler vs.) içerisinde muhafaza etmeyiniz.

Eğer tabanca uzun bir süre içinde depolanacak ise namluyu, mermi yatağını ve dahili parçaları silah yağı veya silahlar için öngörülen bir kimyasal madde ile koruyunuz. Kapak namlu ve şarjör gibi harici kısımlar paslanmaya karşı korunmalıdır.

Bir sonraki kullanımdan önce Q5 Match SF'unuzu temizleyiniz. Her temizleme işlemi sırasında tabancanızda herhangi bir aşınma olup olmadığına dikkat ediniz. Alışılmışın dışında aşınmalar tespit ettiğinizde tabancanızı kalifiye bir silah ustası veya Walther firmasına kontrol ettiriniz.

Arpacık vidası ve gezin içindeki vida yuvasındaki yağı temizleyiniz. Arpacık vidasını endüstriyel bir yapıştırıcı (örn. Loctite 648) ile emniyete alınız. Arpacık vidasını 1 NM'lik bir torkla sıkıştırınız.

5 TABANCANIN KULLANICIYA UYUMLU HALE GETİRİLMESİ

5.1 Şarjör mandalı

Şarjör mandalı çıkarılıp öteki tarafa takılarak sol taraftan kullanım yerine sağ taraftan kullanıma göre dönüştürülebilir. Dönüştürme için 1 mm çaplı bir pim ve küçük tornavida (yakl. 2,5 mm) gereklidir.

1. Şarjör mandalını basılı tutunuz. Karşı ucu kabzadan dışarı çıkacak ve arka tarafta küçük bir delik görünür hale gelecektir. Deliğe bir 1 mm'lik pimi dayanak noktasına kadar iterek yerleştiriniz (5.1 Şekil 1).
2. Pimi yaylı dayanağın direncine karşı deliğin içine bastırınız. Böylelikle şarjör mandalında başlığın sustalı bağlantısı gevşetilir (parçalar 5.1 Şekil 2 de gösterilmiştir).
3. Başlığı bir tornavida ile kenarından kaldırınız ve çıkarınız (5.1 Şekil 3). Başlık çıkmıyorsa, başlığı tornavidayla, aynı sırada pimi deliğin içine bastırırken kaldırmaya çalışınız.



5.1 Şekil 1



5.1 Şekil 2



5.1 Şekil 3

Q5 MATCH SF

5 TABANCANIN KULLANICIYA UYUMLU HALE GETİRİLMESİ

4. Şarjör mandalını (5.1 Şekil 4) ve karşı taraftaki tutucu yayı çıkarınız.
5. Şarjör mandalını hangi taraftan kullanacaksanız, yayı o tarafa yerleştiriniz (5.1 Şekil 5).
6. Daha önce yayı yerleştirmiş olduğunuz tarafa şarjör mandalını da yerleştiriniz (5.1 Şekil 6).
7. Karşı taraftan başlığı yerleştirirken şarjör mandalını basılı tutunuz. Arka kapağı şarjör mandalına, tam olarak yerine oturana kadar bastırınız (oturduğunu sesli olarak da duyabilirsiniz) (5.1 Şekil 7 ve 8).



5.1 Şekil 4



5.1 Şekil 5



5.1 Şekil 6



5.1 Şekil 7



5.1 Şekil 8

5.2 Kabza kapaklarının değiştirilmesi

Kabza kapağındaki vidaları bir Allen anahtarı SW2 kullanarak sökünüz (5.2 Şekil 1). Kabza kapağını arkaya doğru çekerek gövdeden ayırınız (5.2 Şekil 2).

Kabza kapağını tekrar yerine takmadan önce dört şarjör kılavuzunun yeniden gövde içinde olduğunda emin olun. Sonra kabza kapağını arkadan gövdenin üzerine itin (5.2 Şekil 3). Vidaları 0,6 Nm tork ayarıyla sıkınız.



5.2 Şekil 1



5.2 Şekil 2



5.2 Şekil 3

5.3 Tetik (Champion)

İnce ayarı fabrikada titiz bir şekilde yapılan Q5 tetiği, güvenli silah fonksiyonunu kısa tetik yolu avantajıyla birleştirmektedir.

Lütfen şunu aklınızda bulundurunuz: Silahların ele alınması, onlarla ilgili işler yapılması ve özellikle tetiğe müdahale edilmesi, silahın kazara ateş alması sonucunda maddi hasarın meydana gelme ve insanların zarar görme, hatta ölmeye riskini içerir. WALTHER, tetiğe müdahale edilmesinden kaynaklanabilecek herhangi bir zarar için sorumluluk kabul etmez. Tetikle ilgili ayarlama, onarım ve bakım işlemleri WALTHER veya kalifiye bir servis tarafından gerçekleştirilmelidir.

Tetiğin temel ayarı için tabanca sökülerek ana gruplarına ayrılır, bkz. Bölüm 4.1.1. Bunun ardından kabzayı normalde ateş için kullanmadığınız elinizle, ön ucu vücudunuza bakmayacak şekilde tutunuz. Vidalı pimi SW1,5 Allen anahtarıyla (ambalaj içeriğine dâhildir) saatin tersi yönde, ayar vidası şarjör kaldıracının çok az içine uzanacak şekilde tetik muhafazasının dışına doğru vidalayınız (5.3 Şekil 1).



5.3 Şekil 1



5.3 Şekil 2



Not: Ayar vidasını tetik muhafazasının tamamen dışına çıkacağı kadar çok çevirmeyiniz.

Sonra, kurma parçasının hangi konumda harekete geçeceği belirlenmelidir. Bunun için ayar vidasını Allen anahtarıyla saat yönünde çeviriniz ve aynı zamanda öteki elinizin baş parmağıyla biraz kuvvet kullanarak kurma parçasını şarjör kaldıracı yönünde öne ve tetik muhafazasının içine doğru aşağıya bastırınız (5.3 Şekil 2). Ateş noktasında kurma parçasının ön ucu tetik muhafazasının içine doğru girecek, dolayısıyla da destek arkaya doğru hareket edecektir. Baş parmağınızı kurma parçasından çekiniz ve ayar vidasını saatin tersi yönde yaklaşık ¼ tur döndürünüz. Bu düzeltmeden sonra kurma parçası kuvvet uygulandığında altta tam dayanmalı ve destek hareketsiz kalmalıdır. Bu pozisyona henüz ulaşılmadıysa ayar vidasını saatin tersi yönde bir ¼ tur daha döndürülür ve kuvvet uygulama testi tekrarlanır. Daha sonra ayar vidasını bu pozisyondan hareketle saatin tersi yönde ¼ tur vidalayınız. Son olarak tabancanın parçaları tekrar birleştirilir, bkz. Bölüm 4.1.2. Tetiği test etmeden önce horoz iğnesini korumak için silaha bir tampon mermi sürülmelidir.



Not: Kurma mesafesi kısaysa horoz iğnesi artık güvenilir bir şekilde kurulmaz ve çift patlama riski oluşur. Kurma mesafesi uzunsa çift patlama emniyeti artar, buna karşılık basınç noktasında bir tetik sürmesi hissedilebilir.

Q5 MATCH SF

5 TABANCANIN KULLANICIYA UYUMLU HALE GETİRİLMESİ

5.4 Nişangah

Arpacık ve gez değiştirilebilir. İsbet noktasının pozisyonu için yan (sağ-sol) ve yükseklik ayarı yapılabilir. Kırılma kuyruğu bağlantısının bağlantı ölçüleri LPA modeline özgüdür ve 12 mm x 2 mm x 70° şeklindedir. Arpacık yüksekliği 5,3 mm'dir.



5.4 Şekil 1

Nişangâhı ayarlamak veya montaj levhasını değiştirmek için Q5 Match SF'in ambalajında şu aksesuarlar yer alır (5.4 Şekil 1):

- 1,5'lik Allen anahtarı
- 2,5'lik Allen anahtarı
- 2 ad. Allen vidası M3x6
- Tornavida



DİKKAT

İşe başlamadan önce, tabancanın ve şarjörün boş olduğundan emin olunuz.

5.4.1 Arpacık

Tabancayı Bölüm 4.1.1'de anlatıldığı gibi ana gruplarına ayırınız.

Arpacık vidasını bir tornavidayla çıkarınız (5.4.1 Şekil 1) ve arpacığı yukarıya doğru iterek kapaktan çıkarınız.

Montaj ters sırayla yapılır. Arpacık vidasını ve arpacık içindeki vida dişinin yağını temizleyiniz. Arpacık vidasını bir sanayi tutkalıyla (örn. Loctite 648) sabitleyiniz. Arpacık vidası hafifçe (yakl. 1 Nm'lik torkla) sıkılmalıdır.



5.4.1 Şekil 1

5.4.2 Gez

Tabancayı Bölüm 4.1.1'de anlatıldığı gibi ana gruplarına ayırınız.

YAN (SAĞ-SOL) AYARI

Atış sola kaçırırsa yan ayar vidasını saat yönünde, sağa kaçırırsa saatin tersi yönde döndürünüz. Bunun için ürün ambalajında yer alan tornavidanın küçük ucunu kullanınız (5.4.2 Şekil 1).

25 m atış mesafesinde isbet noktası klik başına 5 mm yana kayar.

YÜKSEKLİK AYARI

Atış yukarı kaçırırsa (uzun düşerse) yükseklik ayarı vidasını saat yönünde, aşağı kaçırırsa (kısa düşerse) saatin tersi yönde döndürünüz. Bunun için ambalajda yer alan tornavidanın en büyük ucunu kullanınız (5.4.2 Şekil 2).

25 m atış mesafesinde isabet noktası klik başına yakl. 10 mm yana kayar.

NIŞANGÂHIN ÇIKARILMASI

Tabancayı Bölüm 4.1.1'de anlatıldığı gibi ana gruplarına ayırınız.

1,5'lik Allen anahtarı ile nişangâh içindeki iki vida dişli pimi gevşetiniz (5.4.2 Şekil 3) ve nişangâhı yana doğru montaj levhasından çekip çıkarınız.

Montaj ters sırayla yapılır. Nişangâhtaki vida dişli pimlerinin ve vida dişlerinin yağını temizleyiniz. Vida dişli pimleri bir sanayi tutkısıyla (örn. Loctite 648) sabitleyiniz. Vida dişli pimleri hafifçe (yakl. 0,6 Nm'lik torkla) sıkılmalıdır.

Nişangâh başka bir nişangâh ile değiştirilecekse, lütfen yeni nişangâha ait uyarı ve bilgileri dikkate alınız.



5.4.2 Şekil 1



5.4.2 Şekil 2



5.4.2 Şekil 3



5.4.2 Şekil 4

EN

DE

FR

ES

TU

5.4.3 Montaj levhasının değiştirilmesi

Çeşitli refleks nişangâhlar için montaj levhaları aksesuar olarak alınabilir. Bunlarla Docter (01), Trijicon (02) ve Leupold veya DeltaPoint (04) marka nişangâhlar monte edilebilir. Montaj levhalarının üzerinde ilgili marka yazılıdır.



5.4.3 Şekil 1

Montaj levhası değiştirilmeden önce tabancayı Bölüm 4.1.1'de anlatıldığı gibi ana gruplara ayırınız. Sonra 2,5'lik Allen anahtarını ile iki Allen vidasını (5.4.3 Şekil 1) çıkarınız. Bunun ardından da montaj levhasını yukarıya doğru kapaktan çekip çıkarınız.



5.4.3 Şekil 2

UYARI

Allen vidalarını başka bir nişangâha ait vidalarla değiştirmeyiniz. Allen vidalarının metrik dişleri vardır. Bunlar M3x6 ebadındadır. Bu vidalardan iki adet yedek olarak tabancanın ambalajında yer alır (5.4.3 Şekil 2). Vidaların dişleri üzerinde mavi bir vida koruyucu vardır.

Kullanmak istediğiniz montaj levhasını yukarıdan, montaj levhasının yazısı alt tarafta kalacak şekilde kapağın üzerine oturtunuz. Allen vidalarını sıkarken montaj levhasını namlu ağız yönünde çekiniz (5.4.3 Şekil 3). İki vidayı sıkınız (yakl. 2 Nm torkla).



5.4.3 Şekil 3

Kullanmak istediğiniz nişangâhı takarken lütfen nişangâh üreticisinin uyarılarını dikkate alınız (5.4.3 Şekil 4).



5.4.3 Şekil 4

6 TEKNİK VERİLER

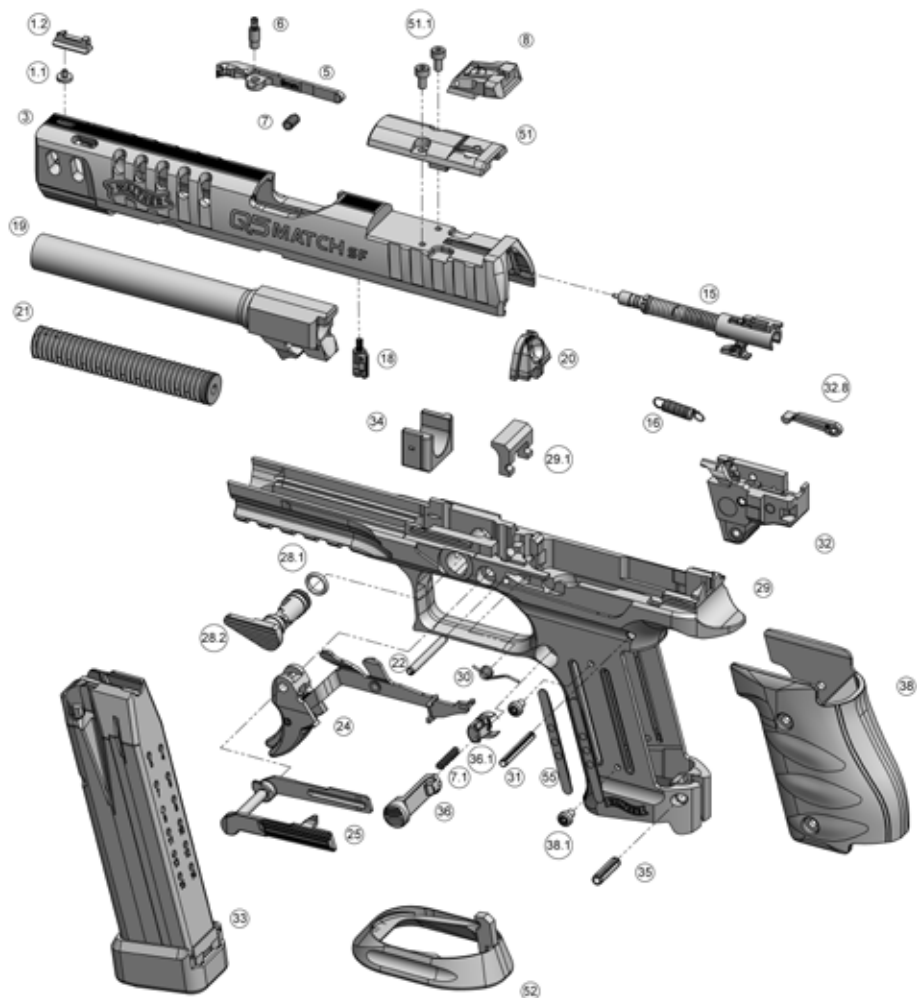
Kalibreler	9 mm x 19
Şarjör kapasitesi (asgari)	15 mermi
Ebatlar (uzunluk/genişlik/yükseklik) (asgari)	220 / 36 / 137 mm
Namlu uzunluğu	127 mm
Oluk uzunluğu	250 mm sağ
Namlu profili	Poligon
Nişangah hattı uzunluğu	181 mm
Gez genişliği	3 mm
Arpacık genişliği	2,9 mm
Arpacık, had	5,3 mm
Ağırlık (boş şarjör dahil)	1160 g
Boş şarjör ağırlığı	80 g
Mermi enerjisi E ₃ , mermi ağırlığı	500 J 8 g
Kilitleme çeşidi	Browning sistemi, ara elemansız
Kilit çeşidi	Ateşleme iğnesi kilidi
Tetik prensibi	Quick Defense Trigger
Tetik kuvveti/yolu	25 N / 9 mm (her atışta eşit)
Malzeme	Kapak, namlu ve gövde: Tenifer® işlemi görmüş son derece dayanıklı silah çeliği.
Emniyetler	Kesici, tetik ve ateşleme iğnesi emniyeti

Veriler ortalama değerlerdir. Gerçek değerlerde sapmalar olabilir.
Tenifer® is a registered trademark of Durferrit GmbH, Germany.

Q5 MATCH SF

7 PARÇA ŞEMASI

7 PARÇA ŞEMASI



8 PARÇA LİSTESİ

8 PARÇA LİSTESİ

No.	Tanımlama	No.	Tanımlama
1.1	Arpacık vidası	28.2	Namlu tutucu
1.2	Arpacık	29	Gövde
3	Kapak parçası	29.1	Tutucu yatak
5	Tırnak	30	Tespit mandalı yayı
6	Tırnak pimi, komple	31	Pim 3x24
7	Şarjör çıkartma mandal yayı	32	Tetik muhafazası, monte edilmiş
7.1	Şarjör çıkartma tırnak yayı	32.8	Tevzi parçası
8	Gez	33	Şarjör
15	Ateşleme iğnesi, komple	34	Kapak ön kanalları yatağı
16	Tetik yayı	35	Pim 4x16
18	Ateşleme iğnesi emniyeti, komple	36	Şarjör mandalı
19	Namlu	36.1	Şarjör klipsi
20	Kapak takımı arka kapağı	38	Kabza kapağı
21	Yerine getiren yay birimi	38.1	Kabza kapağı için vida
22	Pim 3x28	51	Nişangah adaptörü
24	Tetik, komple	51.1	Adaptör için vida
25	Sürgü tutucu	52	Magwell
28.1	Namlu tutucu O halkası	55	Şarjör kılavuzu

EN

DE

FR

ES

IT

TU



Sales / Service

Carl Walther GmbH

Im Lehrer Feld 1

D - 89081 Ulm

Germany

Phone +49 / (0)731 / 1539-0

Fax +49 / (0)731 / 1539-109

sales@carl-walther.de

www.carl-walther.com



All technical changes and modifications reserved.

Technische Änderungen vorbehalten.

Sous réserve de modifications techniques.

Queda reservado el derecho a realizar cambios.

Con riserva di modifiche tecniche.

Teknik değişiklik yapma hakkımız saklıdır.

Copyright © 2019 · Carl Walther GmbH

WWW.CARL-WALTHER.COM