

# SIGSAUER®



## **SIG P322™ PISTOLS**

***OPERATOR'S MANUAL: HANDLING & SAFETY INSTRUCTIONS***

READ THE INSTRUCTIONS AND WARNINGS IN THIS MANUAL CAREFULLY BEFORE USING THIS FIREARM. DO NOT DISCARD THIS MANUAL.

THIS MANUAL SHOULD ALWAYS ACCOMPANY THIS FIREARM AND BE TRANSFERRED WITH IT UPON CHANGE IN OWNERSHIP, OR WHEN THE FIREARM IS PRESENTED TO ANOTHER PERSON.





# WARNINGS

## 1.0 SAFETY WARNINGS

**READ THIS ENTIRE MANUAL THOROUGHLY AND CAREFULLY PRIOR TO USING THIS FIREARM.**

The warnings in this operators manual are extremely important. By understanding the dangers inherent in the use of any firearm, and by taking the precautions described in this manual, you can experience a high level of safety in the use of your firearm. Failure to heed any of these warnings may result in serious injury or death to you or others, as well as severe damage to the firearm or other property.

**WARNINGS** in this manual identify a clear danger to the person performing that procedure. Warnings are identified by a red banner with the word **WARNING** in white, bold, uppercase letters and a **WARNING** icon. Failure to comply with a **WARNING** can result in serious injury or death to you or a bystander.



**WARNING**

**CAUTIONS** in this manual identify a risk of damage to the firearm being maintained. **CAUTIONS** are identified by a black banner with the word **CAUTION** in white, bold, uppercase letters.

**CAUTION**



# WARNINGS

**SIG SAUER**

As a valued SIG SAUER customer, we encourage you to visit [sigsauer.com](http://sigsauer.com). There you will find links to product information and updates, merchandise promotions, and educational videos that will be of interest to you as an owner of SIG SAUER products.

SIG SAUER firearms are designed to function reliably with proper care and knowledgeable use. You must understand the safe operation and use of your SIG SAUER firearm. Read and follow these instructions carefully. Do not use the firearm unless you fully understand these instructions and the safe operation of your firearm. Failure to heed any of these instructions may result in serious injury or death to you or others, as well as severe damage to the firearm or other property.

Your firearm comes equipped with effective, well-designed safety features. However, never rely completely on any safety mechanism. Safety mechanisms are designed to augment, not replace safe handling practices. Careless and improper handling of any firearm can result in an unintentional discharge.

Only your safe firearm handling habits will ensure the safe use of your firearm. Like all mechanical devices, the safety mechanisms are subject to breakage or malfunction and can be negatively affected by wear, abuse, dirt, corrosion, incorrect assembly, improper adjustment or repair, or lack of maintenance. Moreover, there is no such thing as a safety mechanism that is “childproof” or that can completely prevent accidental discharge from improper usage, carelessness, “horseplay”, or abusive handling.

The best safety is proper and applied training in safe firearm handling. Always handle your firearm as though you expect the safeties not to work.



# WARNINGS

## 1.0 SAFETY WARNINGS – CONTINUED

Do not load a cartridge into the chamber until you are ready to use the firearm. If your firearm is equipped with a manual safety, keep the safety ON until you are actually ready to use the firearm. Always move the safety fully to its engaged position and visually check it. The safety is not ON unless it is completely ON.

### ABUSIVE HANDLING

SIG SAUER firearms incorporate effective mechanical safeties. However, like any mechanical device, exposure to abusive conditions may have a negative effect on these safety mechanisms and cause them to fail to work as designed. Do not subject your SIG SAUER firearm to any type of abusive handling. This includes the firearm being dropped, impact to the firearm, or the firearm being struck by another object. Make sure you always maintain control of your firearm at all times. If your firearm does suffer an abusive event such as previously described, do not attempt to use the firearm. Keep the firearm pointed in a safe direction, unload and clear the firearm of all ammunition immediately, and have it inspected by a certified SIG SAUER armorer or gunsmith prior to using the firearm.

A safe direction is defined as an area in which, if the firearm were to discharge, no property damage would occur and no personal injury would result.

As previously noted, if your SIG SAUER firearm does suffer an abusive event, unload it immediately and have it inspected by a certified SIG SAUER Armorer prior to using the firearm. If your firearm suffers an abusive event during a life-threatening/self-defense situation, you must apply immediate action by;



# WARNINGS

**SIG SAUER**

1. Pulling the slide completely rearward to eject the chambered cartridge.
2. Releasing the slide to chamber a new cartridge and resetting the trigger mechanism. (Do not ride the slide forward)
3. The firearm is now returned to proper operational condition.

Intentional or repetitive abusive handling of any SIG SAUER firearm will void the manufacturer's warranty and could render the firearm unsafe.

## **REPLACEMENT PARTS**

Do not attempt to disassemble your SIG SAUER firearm beyond the point explained in this manual. Disassembly beyond the instructions in this manual is restricted to a certified SIG SAUER armorer or professional gunsmith. Failure to comply with these restrictions will void your warranty.

Warnings and instructions about the use of some SIG SAUER replacement parts, assemblies, and accessories may be described in literature accompanying the specific products. Read and carefully follow those instructions. Such warnings and instructions are provided to assure the safe functioning of the firearm. Failure to heed them may result in improper functioning, damage to the firearm, and serious injury or death to you or others.

## **ALTERATIONS**

This SIG SAUER firearm was designed to function properly in its original condition. Unauthorized alterations can make it unsafe. Do not alter any part or add or substitute any parts or accessories not manufactured by SIG SAUER for this firearm. The addition of any parts or accessories beyond the user level of maintenance described in this manual is not authorized.



# WARNINGS

## 1.0 SAFETY WARNINGS – CONTINUED

### ACCESSORIES

It is your responsibility to ensure that all accessories, such as holsters and firearm-mounted lights, are compatible with this firearm and that the accessories do not interfere with the safe operation and handling of the firearm. If you are lawfully carrying the firearm concealed, you must ensure that the holster you choose is made for your particular firearm and designed for the type of carry in which you intend to engage.

### TRANSPORTING

When transporting your firearm, be sure the firearm is unloaded and cleared of all ammunition. It is your responsibility to familiarize yourself with the laws of any state you will be traveling through with your firearm.

### STORAGE

The only safe way to store your firearm is unloaded, cleared of all ammunition, and secure. Safe and secure storage is one of your most important responsibilities. Store your unloaded firearm separate from your ammunition and in places inaccessible to children or unauthorized persons.

### CHAMBER SAFETY FLAG

Every SIG SAUER firearm is shipped with a chamber safety flag. The chamber safety flag prevents the chambering of a round when installed and provides a readily visible indication that the firearm's chamber is empty. The chamber safety flag is to be installed in the firearm's chamber at all times when the firearm is not in use. Many public ranges require chamber safety flags be installed when the firing line is cold.



# WARNINGS

**SIG SAUER**

## LIABILITY

This product is classified as a FIREARM and is sold by SIG SAUER with the specific understanding that we shall not be responsible in any manner whatsoever for malfunctioning of the firearm, physical injury, or property damage resulting in whole or in part from:

- Criminal or negligent discharge
- Improper, careless, or abusive handling
- Unauthorized modifications or parts replacement
- Defective, improper, hand-loaded, or reloaded ammunition
- Corrosion
- Neglect
- Other influences beyond our direct and immediate control

This limitation applies regardless of whether liability is asserted on the basis of contract, negligence, or strict liability (including any failure to warn). Under no circumstance shall SIG SAUER, Inc. be liable for incidental or consequential damages such as loss of use of property, commercial loss, and loss of earnings or profits.



# WARNINGS

## BASIC RULES OF SAFE FIREARMS HANDLING

1. ALWAYS treat every firearm as if it were loaded.
2. ALWAYS be sure the barrel is clear of any obstruction.
3. ALWAYS be sure of your backstop, what lies beyond, and the safety of bystanders before you shoot.
4. ALWAYS use clean, dry, original factory-made ammunition of the proper type and caliber for your firearm.
5. ALWAYS wear ear protection and safety glasses when shooting.
6. ALWAYS carry your firearm so that you can control the direction of the muzzle if you fall or stumble.
7. NEVER shoot at a flat surface or water.
8. DO NOT leave a loaded firearm unattended. Firearms and ammunition should be stored separately, locked if possible, beyond the reach of children, careless adults, or unauthorized users.
9. NEVER allow your firearm to be used by anyone who has not read and understood this operators manual.
10. DO NOT point any firearm, loaded or unloaded, at any undesired or unsafe target.
11. NEVER discharge your firearm near an animal unless the animal is trained to accept the noise. An animal's startled reaction could injure it or cause an accident.
12. NEVER drink alcoholic beverages or use drugs before or during shooting, as your vision and judgment could be seriously impaired, making your firearm handling unsafe.



# WARNINGS

**SIG SAUER**

## 1.1 EYE AND EAR PROTECTION



Always wear safety glasses that meet the requirements of American National Standards Institute (ANSI) z87.1 and ear plugs and “ earmuff ”-type protectors whenever you are shooting. Always make certain that persons close to you are similarly protected. Unprotected eyes may be injured by powder, gas, carbon residue, lubricant, metallic particles, or similar debris that may emanate occasionally from any firearm in normal use. Without ear protection, repeated exposure to shooting noise may lead to cumulative, permanent hearing loss.

## 1.2 AMMUNITION

Use only high-quality, original, factory-manufactured ammunition. Do not use cartridges that are dirty, wet, corroded, bent, or damaged. Do not oil cartridges. Do not spray aerosol-type lubricants, preservative, or cleaners directly onto cartridges or where excess spray may flow into contact with cartridges. Lubricant or other foreign matter on cartridges can cause potentially dangerous ammunition malfunctions. Use only ammunition of the caliber for which your firearm is chambered. The proper caliber is permanently engraved on your firearm; never attempt to use ammunition of any other caliber.



# WARNINGS

## 1.2 AMMUNITION – CONTINUED

Severe damage to the firearm and serious injury or death to the shooter or to others may result. Always use ammunition that complies with the industry performance standards established by the Sporting Arms and Ammunition Manufacturers' Institute, Inc. (SAAMI) or ammunition manufactured to U.S. military specifications.

SIG SAUER, Inc. specifically disclaims responsibility for any damage or injury whatsoever occurring in connection with, or as a result of, the use in any SIG SAUER firearm of faulty, nonstandard, "re-manufactured" hand-loaded (reloaded) ammunition, or cartridges other than those for which the firearm was originally chambered.

Firearms may be severely damaged and serious injury or death to the shooter or to others may result from any condition causing excessive pressure inside the chamber or barrel during firing. Excessive pressure can be caused by obstructions in the barrel, propellant powder overloads, the use of incorrect cartridges, or defectively assembled cartridges. In addition, the use of a dirty, corroded, or damaged cartridge can lead to a burst cartridge case and consequent damage to the firearm and personal injury from the sudden escape of high-pressure propellant gas within the firearm's mechanism.

### **OBSTRUCTED BORE**

Immediately stop shooting, keep the firearm pointed in a safe direction whenever:

- You have difficulty in, or feel unusual resistance in, chambering a cartridge;
- A cartridge misfires (does not go off);
- The mechanism fails to extract a fired cartridge case;
- Unburned grains of propellant powder are discovered spilled in the mechanism;



# WARNINGS

**SIG SAUER**

- A shot sounds weak or abnormal. It is possible that a bullet is lodged part way down the barrel. Firing a subsequent bullet into the obstructed barrel can damage the firearm and cause serious injury to the shooter or to bystanders.

Bullets can become lodged in the barrel when:

- The cartridge has been improperly loaded without propellant powder, or if the powder fails to ignite (ignition of the cartridge primer alone will push the bullet out of the cartridge case, but usually does not generate sufficient energy to expel the bullet completely from the barrel);
- The bullet is not properly seated in the cartridge case. When such a cartridge is extracted from the chamber without being fired, the bullet may be left behind in the bore at the point where the rifling begins. Subsequent chambering of another cartridge may push the first bullet further into the bore.

If there is any reason to suspect that a bullet is obstructing the barrel, immediately unload and clear the firearm. Field strip the firearm and look through the bore of the barrel. It is not sufficient to merely look in the chamber. A bullet may be lodged some distance down the barrel where it cannot easily be seen.

If a bullet is in the bore, do not attempt to shoot it out by using another cartridge or by blowing it out with a blank or a cartridge from which the bullet has been removed. Such techniques can generate excessive pressure, damage the firearm, and cause serious personal injury or death.

If the bullet can be removed by tapping it with a cleaning rod, clean any unburned powder grains from the bore, chamber, and mechanism, before resuming shooting. If the bullet cannot be dislodged by tapping it with a cleaning rod, take the firearm to a gunsmith or certified SIG SAUER Armorer.



# WARNINGS

## 1.2 AMMUNITION – CONTINUED

Dirt, corrosion, or other foreign matter on a cartridge can impede chambering and may cause the cartridge case to burst upon firing. A damaged or deformed cartridge may also impede chambering or cause the cartridge case to burst upon firing.

Do not lubricate cartridges, and be sure to wipe the chamber clean of any oil or preservative before shooting. Oil interferes with the friction between cartridge case and chamber wall that is necessary for safe functioning, and subjects the firearm to stress similar to that imposed by excessive pressure.

Use lubricants sparingly on the moving parts of your firearm. Avoid excessive spraying of any aerosol gun care product, especially where it might get on ammunition. All lubricants and aerosol spray lubricants in particular can penetrate cartridge primers and cause misfires. Some highly penetrative lubricants can also migrate inside cartridge cases and cause deterioration of the propellant powder; on firing, the powder might not ignite. If only the primer ignites, there is danger that the bullet may become lodged in the barrel.

Death, serious injury, and damage to the firearm can result from the use of wrong ammunition, bore obstructions, powder overloads, or incorrect cartridge components. Always wear shooting glasses and hearing protectors.



# WARNINGS

**SIG SAUER**



**WARNING: CANCER AND REPRODUCTIVE HARM—[www.P65warnings.ca.gov](http://www.P65warnings.ca.gov)**



DISCHARGING FIREARMS IN POORLY VENTILATED AREAS, CLEANING FIREARMS, OR HANDLING AMMUNITION MAY RESULT IN EXPOSURE TO LEAD AND OTHER SUBSTANCES KNOWN TO THE STATE OF CALIFORNIA TO CAUSE BIRTH DEFECTS, REPRODUCTIVE HARM, AND OTHER SERIOUS PHYSICAL INJURY. MAINTAIN ADEQUATE VENTILATION AT ALL TIMES. WASH HANDS THOROUGHLY AFTER EXPOSURE. SHOOTING OR CLEANING FIREARMS MAY EXPOSE YOU TO LEAD



# WARNINGS

Certain states require, by law, that their own specified warning notices, in larger than-normal type be conspicuously included by the manufacturer, distributor, or retail dealer with firearms sold in that state. SIG SAUER sells its products in compliance with applicable laws and regulations. Because our products may be sold in these states, we include the following:



## **CALIFORNIA: WARNING**

Firearms must be handled responsibly and securely stored to prevent access by children and other unauthorized users. California has strict laws pertaining to firearms, and you may be fined or imprisoned if you fail to comply with them. Visit the Web site of the California Attorney General at <https://oag.ca.gov/firearms> for information on firearm laws applicable to you and how you can comply. Prevent child access by always keeping guns locked away and unloaded when not in use. If you keep a loaded firearm where a child obtains and improperly uses it, you may be fined or sent to prison."

If you or someone you know is contemplating suicide, please call the National Suicide Prevention Lifeline at 1-800-273 TALK (8255).



## **ADVERTENCIA**

Las armas de fuego deben manipularse de manera responsable y segura para evitar el acceso de niños y otros usuarios no autorizados. California tiene leyes estrictas relacionadas con armas de fuego, y usted puede ser multado o encarcelado si no las cumple. Visite el sitio web del fiscal general de California en <https://oag.ca.gov/firearms> para obtener información sobre las leyes de armas de fuego que son aplicables y cómo puede cumplirlas. Evite el acceso de niños manteniendo siempre las armas bloqueadas y descargadas cuando no estén en uso. Si mantiene un arma de fuego cargada donde un niño la puede obtener y la usa indebidamente, se le puede multar o enviar a prisión.

Si usted o alguien que conoce está contemplando el suicidio, llame a la Línea Nacional de Prevención del Suicidio al 1-800-273 TALK (8255).



# WARNINGS

**SIG SAUER**

## **CONNECTICUT:**

"UNLAWFUL STORAGE OF A LOADED FIREARM MAY RESULT IN IMPRISONMENT OR FINE."

## **FLORIDA:**

"IT IS UNLAWFUL, AND PUNISHABLE BY IMPRISONMENT AND FINE, FOR ANY ADULT TO STORE OR LEAVE A FIREARM IN ANY PLACE WITHIN THE REACH OR EASY ACCESS OF A MINOR UNDER 18 YEARS OF AGE OR TO KNOWINGLY SELL OR OTHERWISE TRANSFER OWNERSHIP OR POSSESSION OF A FIREARM TO A MINOR OR A PERSON OF UNSOUND MIND."

## **MAINE:**

"ENDANGERING THE WELFARE OF A CHILD IS A CRIME. IF YOU LEAVE A FIREARM AND AMMUNITION WITHIN EASY ACCESS OF A CHILD, YOU MAY BE SUBJECT TO FINE, IMPRISONMENT OR BOTH. KEEP FIREARMS AND AMMUNITION SEPARATE. KEEP FIREARMS AND AMMUNITION LOCKED UP. USE TRIGGER LOCKS."

## **MARYLAND:**

"WARNING: CHILDREN CAN OPERATE FIREARMS WHICH MAY CAUSE DEATH OR SERIOUS INJURY. IT IS A CRIME TO STORE OR LEAVE A LOADED FIREARM IN ANY LOCATION WHERE AN INDIVIDUAL KNEW OR SHOULD HAVE KNOWN THAT AN UNSUPERVISED MINOR WOULD GAIN ACCESS TO THE FIREARM. STORE YOUR FIREARM RESPONSIBLY!"



# WARNINGS

## MASSACHUSETTS:

“WARNING FROM THE MASSACHUSETTS ATTORNEY GENERAL: This handgun is not equipped with a device that fully blocks use by unauthorized users. More than 200,000 firearms like this one are stolen from their owners every year in the United States. In addition, there are more than a thousand suicides each year by younger children and teenagers who get access to firearms. Hundreds more die from accidental discharge. It is likely that many more children sustain serious wounds, or inflict such wounds accidentally on others. In order to limit the chance of such misuse, it is imperative that you keep this weapon locked in a secure place and take other steps necessary to limit the possibility of theft or accident. Failure to take reasonable preventative steps may result in innocent lives being lost, and in some circumstances may result in your liability for these deaths.”



# WARNINGS

**SIG SAUER**

## **MASSACHUSETTS: - Continued**

“IT IS UNLAWFUL TO STORE OR KEEP A FIREARM, PISTOL, SHOTGUN OR MACHINE GUN IN ANY PLACE UNLESS THAT WEAPON IS EQUIPPED WITH A TAMPER RESISTANT SAFETY DEVICE OR IS STORED OR KEPT IN A SECURELY LOCKED CONTAINER.”

## **NEW JERSEY:**

“IT IS A CRIMINAL OFFENSE TO LEAVE A LOADED FIREARM WITHIN EASY ACCESS OF A MINOR.”

## **NEW YORK CITY, NY:**

“THE USE OF A LOCKING DEVICE OR SAFETY LOCK IS ONLY ONE ASPECT OF RESPONSIBLE FIREARMS STORAGE. FOR INCREASED SAFETY, FIREARMS SHOULD BE STORED UNLOADED AND LOCKED IN A LOCATION THAT IS BOTH SEPARATE FROM THEIR AMMUNITION AND INACCESSIBLE TO CHILDREN AND OTHER UNAUTHORIZED PERSONS.”



# WARNINGS

## **NORTH CAROLINA:**

Any person who resides in the same premises as a minor, owns or possesses a firearm, and stores or leaves the firearm (i) in a condition that the firearm can be discharged and (ii) in a manner that the person knew or should have known that an unsupervised minor would be able to gain access to the firearm, is guilty of a Class 1 misdemeanor if a minor gains access to the firearm without the lawful permission of the minor's parents or a person having charge of the minor and the minor:

- (1) Possesses it in violation of G.S. 14-269.2(b)
- (2) Exhibits it in a public place in a careless, angry, or threatening manner;
- (3) Causes personal injury or death with it not in self defense; or
- (4) Uses it in the commission of a crime.

## **TEXAS:**

"IT IS UNLAWFUL TO STORE, TRANSPORT, OR ABANDON AN UNSECURED FIREARM IN A PLACE WHERE CHILDREN ARE LIKELY TO BE AND CAN OBTAIN ACCESS TO THE FIREARM."

## **WISCONSIN:**

"IF YOU LEAVE A LOADED FIREARM WITHIN THE REACH OR EASY ACCESS OF A CHILD YOU MAY BE FINED OR IMPRISONED OR BOTH IF THE CHILD IMPROPERLY DISCHARGES, POSSESSES, OR EXHIBITS THE FIREARM."

Please check with your licensed retailer, state police, or local police for additional warnings, which may be required by local law or regulation. Such regulations change constantly, and local authorities are in the best position to advise you on such legal matters.



# WARNINGS

**SIG SAUER**



All firearms are originally shipped with a key-operated locking device, except for Custom Works firearms that are shipped with a lockable case.

Although it can help provide secure storage for your unloaded firearm, any locking device can fail.

All firearms are designed to fire if they are loaded and the trigger is pressed.

Therefore, never install the locking device inside the trigger guard or in any way that makes it possible to press the trigger! Do not leave the keys in the lock.

The ultimate responsibility for secure storage of any firearm must depend upon its owner and his or her individual circumstances.

Firearms should be stored unloaded, in a secure location, separate from their ammunition.

To maximize effectiveness and reduce the chances of malfunction or damage to a firearm, **ALWAYS** refer to the locking device's manufacturer directions for installation and removal of the device.



# WARNINGS

This operator's manual is designed to assist you in learning how to use and care for your SIG SAUER® firearm properly.

Only when you are certain that you fully understand this manual and can properly carry out its instructions, should you practice loading and firing your firearm with live ammunition. Having a firearm in your possession is a full-time job; you cannot guess and you cannot forget. You must know how to use your firearm safely.

If you have any doubts about your ability to handle or use this firearm safely, you should seek supervised instruction.

The SIG SAUER Academy provides all levels of firearms safety and skill training, from beginner to expert.

For more information contact:

**SIG SAUER**<sup>®</sup>  
**ACADEMY**

sigsaueracademy.com • (603) 610-3400  
Epping, New Hampshire

**SAFETY MUST BE THE FIRST AND CONSTANT CONSIDERATION OF EVERY PERSON WHO HANDLES FIREARMS AND AMMUNITION.**

For more information about safety, responsible firearms ownership, and shooting sports, contact:

National Rifle Association (NRA) of America  
11250 Waples Mill Road, Fairfax, VA 22030-7400 • 1-800-672-3888  
nra.com

**THIS PAGE INTENTIONALLY LEFT BLANK**



## Contents

1.0 SAFETY WARNINGS . . . . .	2
1.1 EYE AND EAR PROTECTION . . . . .	9
2.0 MECHANICAL CHARACTERISTICS . . . . .	24
2.1 DESCRIPTION OF FIREARM . . . . .	24
2.2 MAIN COMPONENTS AND OPERATOR CONTROLS . . . . .	26
3.0 HANDLING . . . . .	28
3.1 PREPARATION INSTRUCTIONS . . . . .	28
3.2 MANUAL SAFETY . . . . .	29
3.3 LOADING THE MAGAZINE . . . . .	30
3.4 LOADING THE PISTOL . . . . .	32
3.5 RELOADING DURING FIRING . . . . .	36
4.0 FIRING . . . . .	39
4.1 STOPPAGES AND MALFUNCTIONS . . . . .	40
4.2 MINIMIZING STOPPAGES . . . . .	42
4.3 FIRING THE PISTOL . . . . .	43
5.0 UNLOADING AND CLEARING THE PISTOL . . . . .	44
5.1 UNLOADING THE PISTOL (MAGAZINE NOT EMPTY) . . . . .	45
5.2 UNLOADING THE PISTOL (MAGAZINE EMPTY, SLIDE OPEN) . . . . .	48
6.0 TROUBLESHOOTING GUIDE . . . . .	50
7.0 MAINTENANCE . . . . .	52
7.1 PISTOL DISASSEMBLY . . . . .	52
7.2 MAGAZINE DISASSEMBLY . . . . .	55
7.3 CLEANING THE PISTOL . . . . .	58
7.4 PISTOL ASSEMBLY . . . . .	61
7.5 EXCHANGING THE TRIGGER SHOE . . . . .	63
7.6 MAGAZINE CATCH . . . . .	66
22	

7.7 COMPENSATOR . . . . .	69
7.8 THREAD PROTECTOR AND ADAPTERS . . . . .	74
7.9 MAGAZINE ASSEMBLY . . . . .	77
7.10 FUNCTION VERIFICATION. . . . .	80
7.11 DRY FIRING . . . . .	85
8.0 SIGHTS . . . . .	88
8.1 REAR SIGHT ADJUSTMENTS. . . . .	89
8.2 REPLACING FIBER OPTIC LINE IN SIGHTS . . . . .	91
8.3 REAR SIGHT PLATE . . . . .	96
8.4 REAR SIGHT . . . . .	98
8.5 ROMEOZERO . . . . .	102
9.0 STANDARD SLIDE . . . . .	104
9.1 SLIDE WITH ROMEOZERO . . . . .	105
9.2 COMPENSATED SLIDE . . . . .	106
9.3 STANDARD FRAME AND GRIP . . . . .	107
9.4 COMPENSATED FRAME AND GRIP . . . . .	108
10.0 STORAGE AND TRANSPORTATION . . . . .	110
11.0 SERVICE AND REPLACEMENT PARTS POLICY . . . . .	112
11.1 PARTS POLICY . . . . .	112
12.0 SHIPPING FIREARMS FOR REPAIR . . . . .	114
SIG SAUER® LIMITED LIFETIME FIREARMS WARRANTY . . . . .	116



## **2.0 MECHANICAL CHARACTERISTICS**

### **2.1 DESCRIPTION OF FIREARM**

#### **2.1.1 GENERAL**

The SIG SAUER P322 pistol is a modern handgun incorporating the latest technical advances in firearm design. It is a fixed barrel, blow back operated pistol with semi-automatic reloading, and internal hammer. Firing takes place with each press of the trigger until the magazine is empty. The slide remains open after the last round has been fired from the magazine.

#### **2.1.2 PRINCIPAL FEATURES**

The single action only trigger, in combination with the manual safety, allows for safe carrying of the pistol and provides instant readiness when needed.

The firing pin safety is designed to block the firing pin unless the trigger is pressed.

The hammer safety intercept notch is designed to prevent the hammer from contacting the firing pin unless the trigger is pressed.

The battery safety is designed to prevent the hammer from striking the firing pin when the slide is out of battery (not completely closed).

The pistol cannot be disassembled with a magazine inserted.

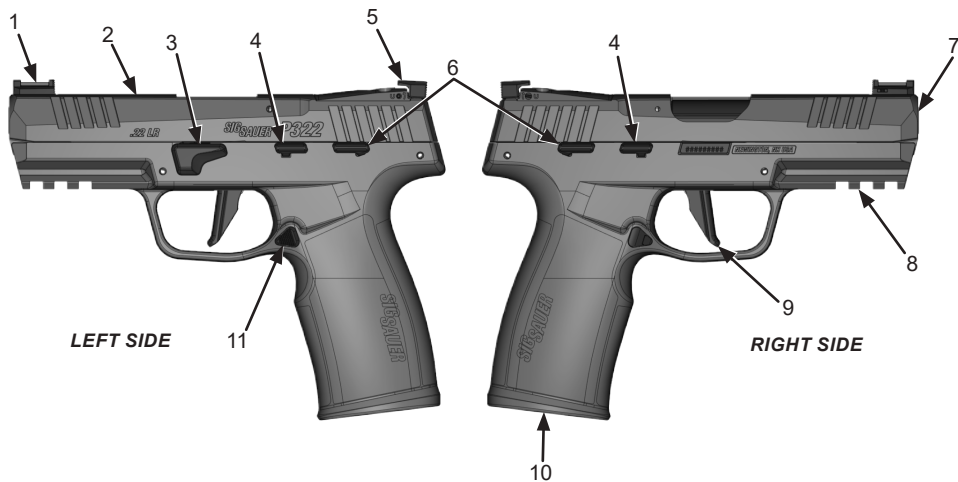
Distinctive fiber optic sights and excellent ergonomics, ensure rapid target acquisition and engagement, even under poor lighting conditions.

The closed design of the pistol prevents dirt and other debris from entering the pistol, ensuring proper function in harsh environmental conditions.





## 2.2 MAIN COMPONENTS AND OPERATOR CONTROLS



**TABLE 1. OPERATOR CONTROLS AND FEATURES**

1	Front Sight	Provides the means of aiming the pistol.
2	Slide	Houses extractor, firing pin safety lock, battery safety, firing pin and sights.
3	Takedown Lever	Allows the slide to be removed from the frame.
4	Slide Catch Lever	Locks slide to rear upon firing of last cartridge. Can be used to manually lock slide to rear for maintenance. Also acts as the ejector.
5	Adjustable Rear Sight	Provides the means of aiming the pistol.
6	Manual Safety Lever	Designed to prevent trigger bar motion that would release the hammer from the sear.
7	Barrel	Houses cartridge for firing and directs projectile.
8	Grip Module	Supports frame assembly and magazine.
9	Trigger	When pressed actuates the internal components to release the hammer.
10	Magazine	Holds and positions cartridges in place for feeding.
11	Reversible Magazine Catch	Locks magazine into grip module. Releases magazine when pressed.



## 3.0 HANDLING

### 3.1 PREPARATION INSTRUCTIONS



#### WARNING



**BEFORE LOADING, ALWAYS CLEAN ALL GREASE AND OIL FROM THE BORE AND CHAMBER, AND VERIFY THAT NO OBSTRUCTION IS IN THE BARREL. ANY FOREIGN MATTER IN THE BARREL COULD RESULT IN A BULGED OR BURST BARREL OR OTHER DAMAGE TO THE FIREARM, AND COULD CAUSE SERIOUS INJURY.**

Prior to firing the pistol for the first time, we strongly suggest that you perform an initial cleaning and lubrication of the pistol after you unpack it. Any fouling present will have been from final range firing at the factory prior to shipping. Refer to section, "7.3 Cleaning The Pistol" on page 58 for instructions on cleaning the pistol. If you have the pistol and ammunition and have read and understood all of the instructions in this manual, you are now ready to use the pistol.

## 3.2 MANUAL SAFETY

Each pistol features an ambidextrous manual safety.

### CAUTION

PARTIALLY CYCLING THE SLIDE MAY POSITION THE SEAR IN THE SAFETY INTERCEPT NOTCH OF THE HAMMER. IF THE MANUAL SAFETY IS ENGAGED IN THIS CONDITION, THE SLIDE CANNOT BE CYCLED. TO REMEDY THIS CONDITION, DISENGAGE THE MANUAL SAFETY, CYCLE THE SLIDE COMPLETELY TO THE REAR, THEN RE-ENGAGE MANUAL SAFETY.

The manual safety is designed to block trigger bar movement and can only be engaged with the hammer cocked (ready to fire).

To engage the manual safety, rotate the manual safety lever upward. The manual safety is ambidextrous. Pressing up on the lever from either side will rotate the opposite lever upward, engaging the manual safety. The slide can be manipulated with the manual safety engaged.



**MANUAL SAFETY ENGAGED**



**MANUAL SAFETY DISENGAGED**



### 3.3 LOADING THE MAGAZINE

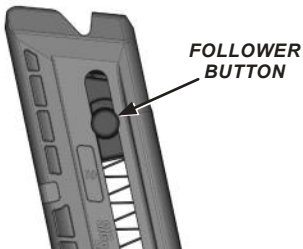
## CAUTION

DO NOT ATTEMPT TO INSERT MORE CARTRIDGES THAN THE MAGAZINE'S DESIGNED CAPACITY. OVERLOADING THE MAGAZINE COULD CAUSE STOPPAGES AND OR DAMAGE TO THE MAGAZINE.

## NOTE

Ensure that the magazine and ammunition is the proper type and caliber for the pistol.

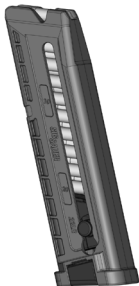
1. Push down on the follower button to compress the magazine spring far enough to load one round at a time.



2. Push the cartridge to the rear and under the magazine lips. Ensure that projectile is facing the front of magazine.



3. Repeat until the magazine holds the desired number of cartridges or is full.



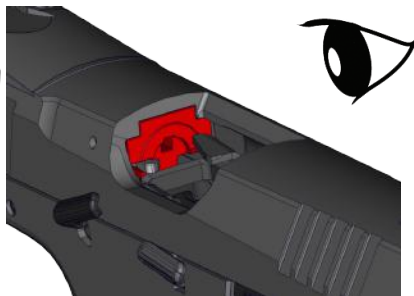


### 3.4 LOADING THE PISTOL

1. Point pistol in a safe direction.
2. Push up on manual safety lever to engage manual safety.
3. Fully retract the slide and push up on the slide catch lever to lock slide to rear.



4. Visually and physically inspect chamber, breech face, and magazine well to ensure it is clear of any foreign debris.





5. Insert a loaded magazine, pushing it up into the grip until it locks in place. You should hear an audible click.



6. Release the slide by either:
- Pressing down on the slide catch lever, releasing the slide forward and chambering a cartridge.
  - Pulling back on the slide until the slide catch lever drops clear of the slide then releasing it to chamber a cartridge. Do not ride the slide forward. Failure to properly complete this step may induce a stoppage.



**WARNING LOADED PISTOL**



**THE PISTOL IS NOW LOADED AND READY TO FIRE**



### 3.5 RELOADING DURING FIRING

When the last cartridge in the magazine is expended, the slide will be locked back in the open position by the slide catch lever.

1. Push up on manual safety lever to engage manual safety.
2. Press the magazine catch to release the empty magazine.



3. Insert a loaded magazine, making sure it is retained by magazine catch.





4. Release the slide by either:
- Pressing down on the slide catch lever.
  - Pulling back on the slide and releasing.



**WARNING LOADED PISTOL**



**THE PISTOL IS NOW LOADED AND READY TO FIRE**

## 4.0 FIRING



**WARNING LOADED PISTOL**



**KEEP FINGER OUT OF TRIGGER GUARD AND OFF TRIGGER UNTIL YOU ARE ACTUALLY READY TO FIRE THE PISTOL.**

Keep the muzzle pointed in a safe direction and your finger off of the trigger and out of the trigger guard when cycling the slide.

Never fire any firearm with your finger, hand, face, or other part of your body over or adjacent to the ejection port, or in any position where you may be struck by reciprocating movement of the slide. Both the ejection of empty cartridge cases and the movement of the slide are part of the normal operating cycle of pistols and pose no safety hazard to the shooter if the firearm is held in a normal grip and fired at arm's length.

Never allow other persons to stand beside you where they might be struck by an ejected cartridge case. The case is hot, and may be ejected with sufficient force to cause a burn, cut, or other injury. Wear safety glasses to protect your eyes. Make certain that there is a clear, unobstructed path for safe ejection of the fired case. Remember, the case might bounce off a hard object nearby and strike you or someone else.



## 4.1 STOPPAGES AND MALFUNCTIONS



### WARNING STOPPAGE



#### **STOP FIRING IMMEDIATELY! UNLOAD AND CLEAR THE FIREARM.**

A stoppage is defined as an interruption in the pistols cycle of function that can be cleared by the operator applying immediate action. Immediate action are the steps taken by the operator to place the pistol back in service without investigating the cause of the stoppage. When practical, always stop firing and investigate the cause of a stoppage in the manner outlined below.

If while firing, your firearm develops a stoppage, or a discharged round sounds or feels unusual, stop firing immediately. It may be dangerous to continue. Do not try one more shot. Keep the firearm pointed in a safe direction and unload and clear the firearm immediately by removing the magazine, locking the slide to the rear and clearing any expended or live ammunition from the firearm, visually and physically checking the chamber, breech face, and magazine well.

With the firearm unloaded and cleared, perform an additional visual inspection of the firearm and the ammunition. If you suspect a bore obstruction, refer to Section, “1.2 Ammunition” on page 9. If damage to the firearm is found upon inspection, the stoppage persists or a malfunction (defined as a failure of a part rendering the firearm inoperable and requiring the service of an authorized SIG SAUER Armorer) is suspected, take the firearm and ammunition to a certified SIG SAUER Armorer for service.

**WARNING COOK-OFF**

**IF YOUR PISTOL STOPS FIRING WITH A LIVE ROUND IN THE CHAMBER OF A HOT BARREL (A MISFIRE OR STOPPAGE), REMOVE THE ROUND IMMEDIATELY. IF YOU CANNOT REMOVE THE ROUND WITHIN 10 SECONDS, REMOVE THE MAGAZINE AND WAIT AT LEAST 15 MINUTES WITH THE PISTOL POINTING IN A SAFE DIRECTION. THIS WAY, NEITHER THE USER NOR ANY OTHER PERSON WOULD BE INJURED BY THE POSSIBILITY OF A ROUND “COOKING-OFF” (A ROUND DETONATING DUE TO THE HEAT OF THE BARREL). KEEP YOUR FACE AWAY FROM THE EJECTION PORT WHILE CLEARING A HOT CHAMBER.**



## 4.2 MINIMIZING STOPPAGES

- You can help minimize most stoppages by cleaning and lubricating the pistol see Section, “7.3 Cleaning The Pistol” on page 58.
- Cleaning and lubricating your pistol after each range session will reduce the chances of a stoppage due to dirt and residue buildup.
- Perform maintenance if the firearm is exposed to extreme environmental conditions (rain, snow, freezing temperatures, etc.).
- Periodically inspect the pistol if it is to be stored for extended periods of time without use.
- Most stoppages are directly related to the magazine. Perform maintenance of your magazines as well as the firearm see Section, “7.2 Magazine Disassembly” on page 55.
- A good practice is to mark the magazines so you can identify a magazine that is related to a stoppage.

### 4.3 FIRING THE PISTOL



#### WARNING EJECTION



THE SLIDE OPENS AND SHUTS QUICKLY WHILE FIRING. KEEP FACE AND HANDS AWAY FROM IT. HOT BRASS AND POWDER GAS IS EJECTED QUICKLY AND CAN BURN YOU. ALWAYS WEAR SAFETY GLASSES AND HEARING PROTECTORS TO PREVENT INJURY.



1. Aim the pistol at a safe target and press down on manual safety lever to disengage manual safety.
2. Place finger on the trigger and press trigger to discharge firearm.
3. Keep pistol aimed at the target and continue to fire as desired or until the magazine is empty.
4. Press up on manual safety lever to engage manual safety.
5. To unload and clear firearm, proceed to section, "5.0 Unloading and Clearing The Pistol" on page 44.



## 5.0 UNLOADING AND CLEARING THE PISTOL

When there is a live cartridge in the chamber, the cartridge will discharge if the manual safety is disengaged and the trigger is pressed. It is absolutely essential for you to know how to completely unload and clear the pistol. “Completely” means removing the magazine and ejecting the chambered cartridge.



**WARNING UNLOAD/CLEAR**

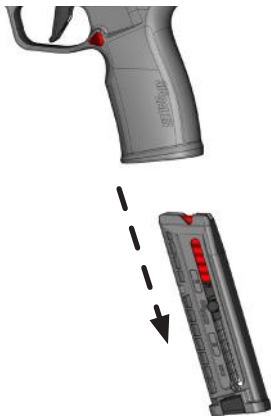


**REMOVING THE MAGAZINE FROM THE PISTOL DOES NOT PREVENT IT FROM BEING FIRED. PISTOL WILL FIRE A CHAMBERED CARTRIDGE EVEN WITH MAGAZINE REMOVED.**

1. Always make sure the muzzle is pointed in a safe direction. Remember to clear the chamber after the magazine has been removed.
2. Never assume that any firearm is unloaded until you have personally checked it, visually and physically.
3. After every range session, make a final check to be certain the firearm is unloaded and cleared.

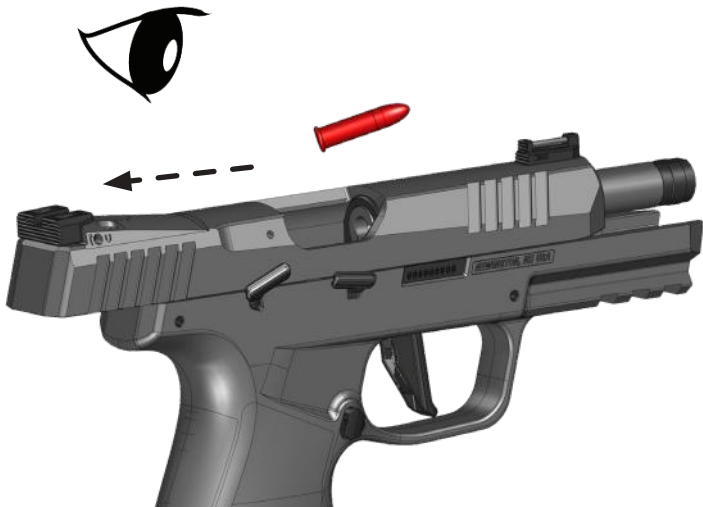
## 5.1 UNLOADING THE PISTOL (MAGAZINE NOT EMPTY)

1. Keep the muzzle pointed in a safe direction.
2. Push up on manual safety lever to engage manual safety.
3. Press the magazine catch and remove the magazine.

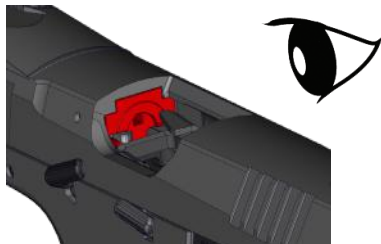




4. Pull the slide completely to the rear while watching for the ejection of a live cartridge. Push up on slide catch lever, locking the slide open.



5. Visually/physically check the chamber, breech face, and magazine well to ensure that the pistol is completely free of ammunition.



6. Press the slide catch lever, causing the slide to close.
7. Unload the magazine.



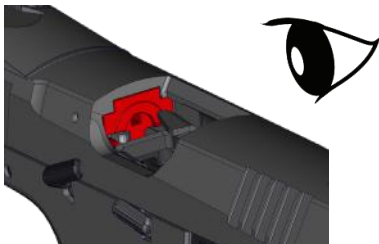


## 5.2 UNLOADING THE PISTOL (MAGAZINE EMPTY, SLIDE OPEN)

1. Keep the muzzle pointed in a safe direction.
2. Press up on manual safety lever to engage manual safety.
3. Press the magazine catch and remove the magazine.



4. Visually/physically check the chamber, breech face, and magazine well to ensure that the pistol is completely free of ammunition.



5. Press the slide catch lever, causing the slide to close.





## 6.0 TROUBLESHOOTING GUIDE

Stoppage	Cause	Correction
<b><i>Failure to Feed</i></b>		
No round fed into the chamber.	Magazine not properly inserted or magazine is deformed or dirty.	Insert magazine properly or change magazine.
	Magazine improperly loaded.	Unload magazine and reload.
Slide does not close easily or completely.	Pistol or cartridge is fouled (dirty) or pistol is too heavily lubricated.	Clean and lubricate pistol.
	Incorrect ammunition.	Replace ammunition.
	Pistol requires service.	Return to SIG SAUER.
<b><i>Failure to Extract or Eject</i></b>		
After firing, the case stays in the chamber or is jammed in the ejection port.	Insufficient recoil due to dirt or fouling.	Clean and lubricate the pistol, clean but do not lubricate the barrel chamber.
	Light hold or limp wrist.	Solid grip, rigid hold.
	Low-powered ammunition.	Change ammunition.
	Pistol requires service.	Return to SIG SAUER.

Stoppage	Cause	Correction
<b><i>Failure to Fire</i></b>		
Trigger is completely pressed but round does not fire.	Faulty ammunition.	Manually cycle in next round.
	Hammer or firing pin obstructed.	Inspect, clean, and lubricate the pistol.
	Slide out of battery.	Manually cycle in next round, ensure slide is completely forward.
	Pistol requires service.	Return to SIG SAUER.
<b><i>Cannot Insert Magazine (After Reassembly)</i></b>		
Cannot seat magazine in magazine well.	Improper assembly of slide to receiver (takedown lever incorrectly positioned).	1. Lock slide to rear with slide catch lever. 2. Rotate takedown lever to correct position.
	Magazine loaded with more rounds than it was designed for.	Unload to designed round capacity.



## 7.0 MAINTENANCE



### **WARNING UNLOAD/CLEAR**



**VERIFY THAT THE MAGAZINE IS REMOVED, VISUALLY AND PHYSICALLY CONFIRM THE PISTOL IS UNLOADED AND CLEARED BEFORE ATTEMPTING DISASSEMBLY OR PERFORMING ANY MAINTENANCE STEPS. FAILURE TO ENSURE THE FIREARM IS UNLOADED AND CLEARED COULD RESULT IN UNINTENTIONAL DISCHARGE, CAUSING SEVERE INJURY OR DEATH, OR PROPERTY DAMAGE.**

## 7.1 PISTOL DISASSEMBLY

1. Unload and clear the pistol see Section, “5.0 Unloading and Clearing The Pistol” on page 44.



### **WARNING PARTS UNDER SPRING TENSION**



**SLIDE IS UNDER SPRING TENSION. MAINTAIN POSITIVE CONTROL DURING SLIDE REMOVAL TO PREVENT DAMAGE OR INJURY. WEAR EYE PROTECTION. IF SLIDE HAS A COMPENSATOR REFER TO PAGE 69 TO REMOVE IT BEFORE REMOVING SLIDE ASSEMBLY.**

**NOTE**

Ensure the barrel thread protector is installed on the barrel as it will retain the recoil spring and barrel bushing when the slide is removed.

2. Rotate the takedown lever counterclockwise 90°.

**THREAD  
PROTECTOR**





3. Pull the slide back and then up to unhook it from the frame.



4. Guide the slide forward and off of the barrel to remove.



## NOTE

This level of disassembly is sufficient to allow a thorough cleaning after firing.

## 7.2 MAGAZINE DISASSEMBLY



### **WARNING PARTS UNDER SPRING TENSION**



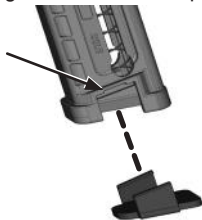
**THE MAGAZINE SPRING IS COMPRESSED. UNCONTROLLED RELEASE CAN CAUSE INJURY. WEAR EYE PROTECTION.**

### **NOTE**

Disassembly of the magazine is not typically required for cleaning. Most cleaning can be done by pressing the follower and scrubbing the feed lips with a nylon brush. Repeated disassembly could result in accelerated wear on the floorplate.

1. Using a small flat tip screwdriver or similar type tool, carefully use it to pry the flange of the floorplate from the body of the magazine. Hold it unclipped while releasing the other side.

***FLAT TIP  
SCREWDRIVER  
HERE***

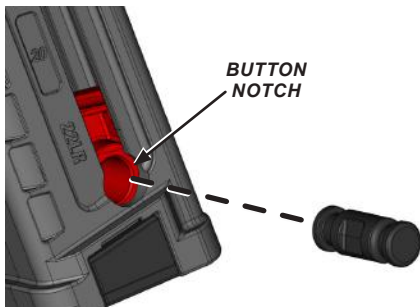




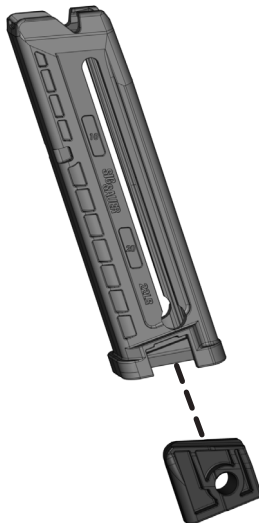
2. Remove magazine spring from bottom of magazine tube.



3. Lower follower and follower button to notch in magazine tube and remove follower button.



4. Remove follower from bottom of magazine tube.





## 7.3 CLEANING THE PISTOL



**WARNING CLEANING**



**READ AND FOLLOW THE MANUFACTURER'S WARNINGS BEFORE USING SOLVENTS OR CLEANERS. WEAR EYE PROTECTION.**

### **CAUTION**

NEVER CLEAN THE BARREL FROM THE MUZZLE END; DO NOT USE A STEEL WIRE BRUSH AS IT CAN DAMAGE THE SMOOTH SURFACE OF THE BARREL. USE A SUITABLE CLEANING ROD AND BRONZE BRUSH OF THE CORRECT CALIBER. SOLVENTS CAN BE HARMFUL TO THE SURFACE FINISH OF THE PISTOL. AVOID OVER-LUBRICATION OF COMPONENTS.

#### MATERIALS REQUIRED

- Cleaning patches
- Rags
- Bore brush of the proper caliber
- Cleaning rod
- CLP (Cleaning, Lubricant, Protective)
- Lubricant, Low Temperature when applicable
- Cleaning Brush

The following instructions are for normal environmental conditions. Clean and lube before or after every day the pistol is fired or at a minimum of every 500 rounds.

### **SLIDE ASSEMBLY**

1. Remove all of the old lubricant before you reapply.
2. Clean the slide assembly with a cloth. A soft brush and CLP can be used to clean excessive dirt and carbon buildup. Ensure the extractor, rail slots and breech face are free of dirt and residue.
3. Apply a light coat of CLP to the frame rail slots of the slide.
4. Lightly oil all external parts.

### **BARREL**

1. Soak a patch with CLP and push it through the bore from the chamber end and out past the muzzle.
2. Allow the CLP to soak for a while to loosen residue and soften carbon deposits.
3. Wipe the exterior of the barrel with a cloth soaked in CLP.
4. Repeat step #1.
5. Use the bore brush and a cleaning rod to scrub heavy deposits from the bore.
6. Repeat step #1.
7. Push dry patches through the bore until they come out clean.
8. Lightly oil bore and chamber if the pistol is to be stored for a period of time.
9. Always remove any lubricant from the bore prior to firing the pistol.



## **RECOIL SPRING**

1. Clean recoil spring with a cloth lightly coated in CLP.
2. After cleaning, apply a light coat of CLP.

## **FRAME ASSEMBLY**

1. Wipe the frame assembly with a cloth.
2. Use cotton swabs or nylon brush to clean hard to reach areas. Pay special attention to the frame rails.
3. Lubricate the frame rails with a light coat of CLP.
4. Apply CLP to accessible functioning parts.
5. Clean the magazine well of any dirt, dust or residue with a cloth.

## **MAGAZINE**

1. Wipe the magazine tube and follower with a cloth. Clean the magazine tube and follower with a nylon brush and CLP.
2. Use a cloth to clean the magazine spring, floorplate, and base plate.
3. Apply a light coat of CLP to the magazine spring.

## 7.4 PISTOL ASSEMBLY

1. Verify that the pistol is clear of all foreign matter, hammer is cocked, and takedown lever is in correct position (UP).
2. Guide the slide onto the barrel rearward compressing the recoil spring.





3. Maintain light downward pressure while pulling the slide rearward dropping it onto the rails when it reaches the correct position.



4. Once aligned on the guide rails bring the slide forward and rotate the takedown lever clockwise 90°.



## 7.5 EXCHANGING THE TRIGGER SHOE



**WARNING UNLOAD/CLEAR**



**VERIFY THAT THE MAGAZINE IS REMOVED, VISUALLY AND PHYSICALLY CONFIRM THE PISTOL IS UNLOADED AND CLEARED, AND MANUAL SAFETY IS ENGAGED BEFORE ATTEMPTING DISASSEMBLY OR PERFORMING ANY MAINTENANCE STEPS. FAILURE TO ENSURE THE FIREARM IS UNLOADED AND CLEARED COULD RESULT IN UNINTENTIONAL DISCHARGE, CAUSING SEVERE INJURY OR DEATH, OR PROPERTY DAMAGE. ONLY CHANGE THE TRIGGER SHOE WITH THE SLIDE REMOVED.**

1. Using a small punch or similar tool, lightly push the inside edges of the trigger shoe out and away from the metal trigger base.





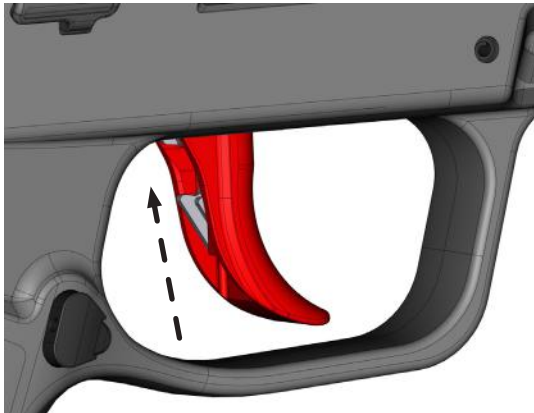
2. Slide the trigger shoe down and off the trigger base.



3. Start the new trigger shoe by angling it onto the trigger base and get both sides around the trigger base.



4. Slide the trigger shoe up the trigger base until it clicks in place.





## 7.6 MAGAZINE CATCH



### WARNING UNLOAD/CLEAR



**VERIFY THAT THE MAGAZINE IS REMOVED. VISUALLY AND PHYSICALLY CONFIRM THAT THE PISTOL IS UNLOADED AND CLEARED BEFORE ATTEMPTING DISASSEMBLY OR PERFORMING ANY MAINTENANCE STEPS. FAILURE TO ENSURE THAT THE FIREARM IS UNLOADED AND CLEARED COULD RESULT IN UNINTENTIONAL DISCHARGE, CAUSING SEVERE INJURY OR DEATH, OR PROPERTY DAMAGE.**

### NOTE

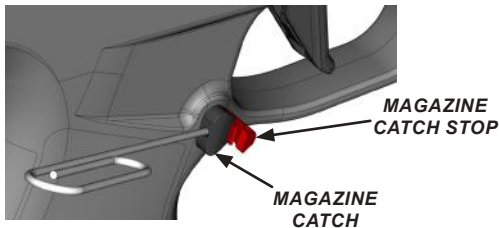
You can perform this procedure with or without the slide removed from the pistol.

#### Removal

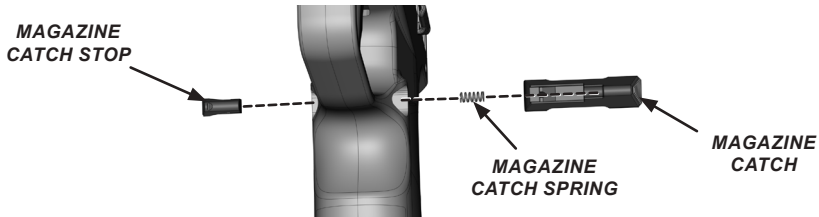
1. Ensure that magazine is removed and pistol is unloaded and cleared. See section, "5.0 Unloading and Clearing The Pistol" on page 44.
2. Press magazine catch until opposite side of magazine catch protrudes from grip. You should see a small hole in back of the catch.



3. Press end of a small round pin such as a paper clip, into hole of magazine catch. This will release magazine catch stop.
4. Work magazine catch stop out of magazine catch with pin, using a back-and-forth motion.



5. Remove magazine catch stop, magazine catch, and magazine catch spring from grip module.



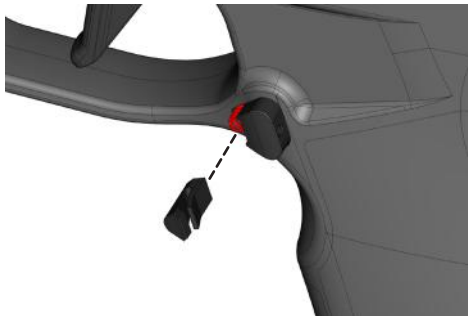


## NOTE

Holding pistol with muzzle facing downward will aid in keeping magazine catch and spring in place for ease of installation.

### Install

6. Insert magazine catch and spring into the desired side of the grip module and completely press magazine catch.
7. Insert magazine catch stop into magazine catch until it snaps into place. Release magazine catch.



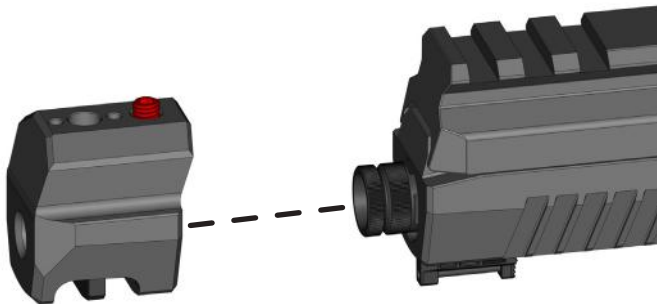
## 7.7 COMPENSATOR

### NOTE

Do not attempt to remove the slide without the compensator adapter installed. The compensator, insert, and adapter should be removed and cleaned every 300 rounds to prevent excessive build up.

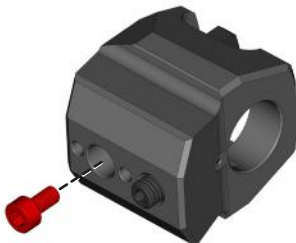
#### Removal

1. Use a 2.5 mm drive bit to loosen the compensator screw and remove compensator from compensator adapter.

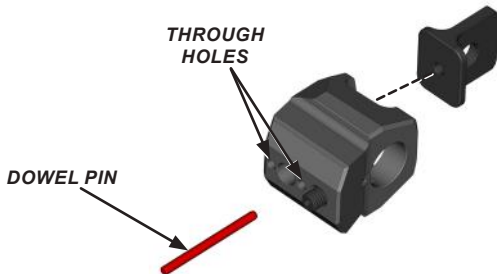




2. Use a 2.5 mm drive bit to remove the compensator insert screw from bottom of compensator.



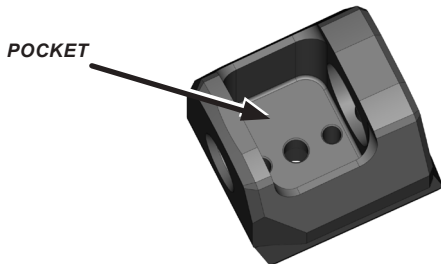
3. Use provided dowel pin into through holes in bottom of compensator, alternate between the front and back hole and push the insert "straight" out.



## Maintenance

**WARNING**

**FAILURE TO CLEAN ALL DEBRIS FROM BOTTOM OF POCKET IN THE COMPENSATOR WILL CAUSE MISALIGNMENT OF THE COMPENSATOR INSERT TO BARREL BORE OR CAUSE IT TO LOOSEN PREMATURELY. THIS MAY CAUSE A BULLET TO STRIKE THE INSERT RESULTING IN BULLET FRAGMENTS EXITING THE COMPENSATOR AND CAUSING INJURY TO THE SHOOTER OR BYSTANDER.**

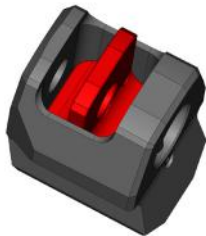


1. Use a rag moistened with CLP to clean carbon build up off compensator.
2. Use wire brush to clean carbon build up off insert.



## Install

1. Place compensator insert into pocket of compensator.



2. Use a 2.5 mm drive bit to install insert screw in bottom of insert, then tighten to 20 in-lbf.



3. Align compensator vertically and place onto compensator adapter.



4. Use a 2.5 mm drive bit to tighten compensator screw to 20 in-lbf.





## 7.8 THREAD PROTECTOR AND ADAPTERS



### **WARNING UNLOAD/CLEAR**



**VERIFY THAT THE MAGAZINE IS REMOVED, VISUALLY AND PHYSICALLY CONFIRM THE PISTOL IS UNLOADED AND CLEARED BEFORE ATTEMPTING DISASSEMBLY OR PERFORMING ANY MAINTENANCE STEPS. FAILURE TO ENSURE THE FIREARM IS UNLOADED AND CLEARED COULD RESULT IN UNINTENTIONAL DISCHARGE, CAUSING SEVERE INJURY OR DEATH, OR PROPERTY DAMAGE.**

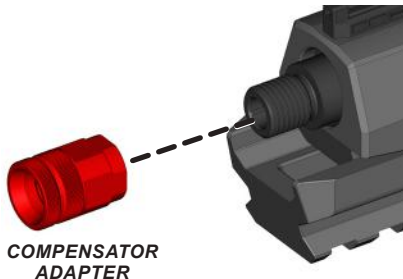
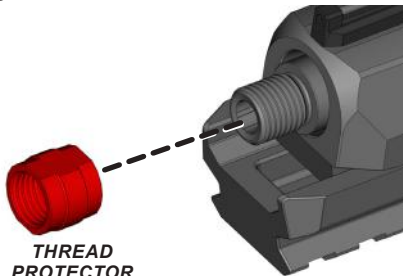
### **NOTE**

It is easier to install a thread protector or adapter with a chamber safety flag inserted into the chamber. The chamber safety flag will hold the slide back and expose the wrench flats on the thread protector or adapter.

1. With the chamber safety flag inserted, secure the pistol in a vise with padded or soft jaws.

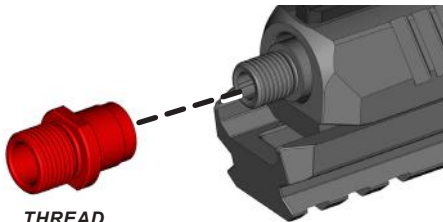


2. Use a 7/16 in. wrench to remove thread protector or compensator adapter. The threads are right handed.



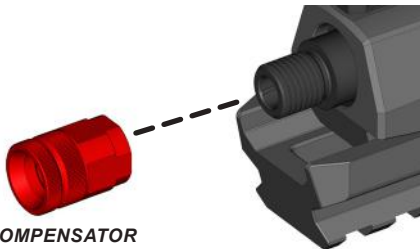


3. Use a 9/16 in. wrench tighten thread adapter onto barrel, tighten to 45 in-lbf.



***THREAD  
ADAPTER***

4. Use a 7/16 in. wrench tighten thread protector or compensator adapter onto barrel, tighten to 45 in-lbf.



***COMPENSATOR  
ADAPTER***

## 7.9 MAGAZINE ASSEMBLY

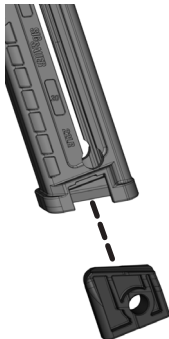


**WARNING PARTS UNDER SPRING TENSION**



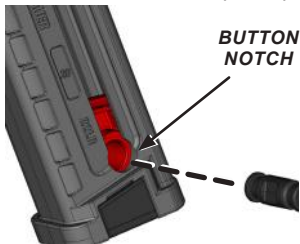
**THE MAGAZINE SPRING IS BEING COMPRESSED DURING ASSEMBLY. GUARD THE MAGAZINE INSERT AND MAGAZINE SPRING TO CONTROL MAGAZINE SPRING TENSION. UNCONTROLLED RELEASE CAN CAUSE INJURY. WEAR EYE PROTECTION.**

1. Insert magazine follower into magazine tube so that the follower button notch lines up.

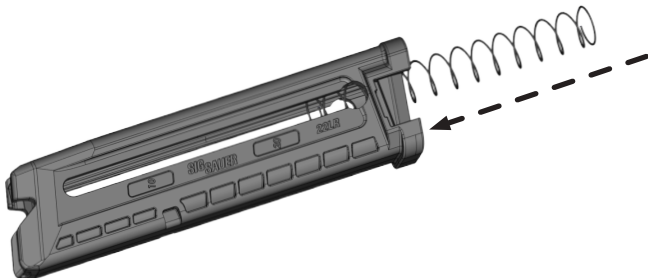




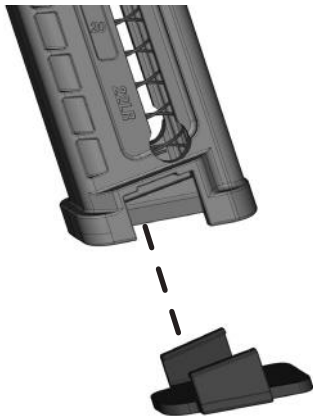
2. Insert the follower button into the notch and slide up to top of the magazine.



3. Insert magazine spring into the magazine tube.



4. Compress magazine spring with floorplate and snap onto magazine tube.





## 7.10 FUNCTION VERIFICATION

The function check is performed on the assembled pistol to verify functionality. It should be performed after the completion of repairs and after each cleaning and assembly of the pistol.



**WARNING UNLOAD/CLEAR**



**VERIFY THE MAGAZINE IS REMOVED. VISUALLY AND PHYSICALLY CONFIRM THE PISTOL IS UNLOADED AND CLEARED BEFORE ATTEMPTING DISASSEMBLY OR PERFORMING ANY MAINTENANCE STEPS. FAILURE TO ENSURE THE FIREARM IS UNLOADED AND CLEARED COULD RESULT IN UNINTENTIONAL DISCHARGE, CAUSING SEVERE INJURY OR DEATH, OR PROPERTY DAMAGE.**

1. Ensure the magazine is removed and the pistol is unloaded and cleared see Section, “5.0 Unloading and Clearing The Pistol” on page 44.

### NOTE

Prior to starting step 2 ensure the takedown lever is in the horizontal position.

2. Check recoil spring function/slide travel.
  - a. Retract the slide completely and release.
  - b. Verify the slide returns completely to the closed position.
  - c. Repeat the procedure.



3. Check the trigger mechanism and manual safety lever:
  - a. Push up on manual safety lever to engage manual safety.
  - b. Press trigger, hammer should not fall
  - c. Push down on manual safety lever to disengage manual safety, hammer should not fall.
  - d. Press trigger, hammer should fall.





#### 4. Check slide catch lever.

- a. Insert an empty magazine.
- b. Pull slide completely to the rear and release. Slide catch lever must lock slide to the rear.
- c. Remove magazine.
- d. Pull slide slightly to the rear. Slide catch lever must drop and release slide.
- e. Ensure slide is fully closed.



5. Inspect the magazine.
- Check the condition of the magazine tube.
  - Verify the magazine floorplate is secure.
  - Check for free movement of the magazine follower and spring.
  - Insert the magazine into the pistol until it is locked in grip by magazine catch.
  - Press magazine catch, ensure magazine drops freely.





6. Inspect the pistol exterior.
  - a. Inspect the general condition of the pistol
  - b. Check the sights, frame, slide, and controls for damage.
  - c. Verify the front and rear sights are secure.

## CAUTION

NEVER USE A FIREARM OR MAGAZINE THAT SHOWS SIGNS OF DAMAGE OR FAILS A FUNCTION VERIFICATION. IF THE CONDITION OR FUNCTION OF THE PISTOL OR MAGAZINE IS QUESTIONABLE, CONTACT SIG SAUER FOR INSTRUCTIONS.

## 7.11 DRY FIRING

**WARNING UNLOAD/CLEAR**

**VERIFY THE MAGAZINE IS REMOVED AND CONFIRM THE PISTOL IS UNLOADED AND CLEARED BOTH VISUALLY AND PHYSICALLY BEFORE ATTEMPTING DRY FIRING. FAILURE TO ENSURE THE FIREARM IS UNLOADED AND CLEARED COULD RESULT IN UNINTENTIONAL DISCHARGE, CAUSING SERIOUS INJURY OR DEATH, OR PROPERTY DAMAGE.**

**CAUTION**

**IT IS HIGHLY RECOMMENDED THAT DRY FIRING BE DONE WITH THE SUPPLIED CHAMBER SAFETY FLAG INSERTED INTO THE CHAMBER. FAILURE TO USE THE CHAMBER SAFETY FLAG WHILE DRY FIRING CAN LEAD TO UNNECESSARY WEAR TO THE FIREARM.**



1. Ensure the magazine is removed and the pistol is unloaded and cleared see Section, “5.0 Unloading and Clearing The Pistol” on page 44).
2. Lock slide to the rear with slide catch lever and insert chamber safety flag.



3. Pull back on slide and close it onto chamber safety flag.



4. Rotate chamber safety flag arm about 45° clockwise to lock it into dry firing position. You should feel it click into place.



5. Point pistol in a safe direction and dry fire. Pull slide back slightly to reset hammer.



## 8.0 SIGHTS

### General Information

The SIG SAUER P322 pistols are equipped with a fixed front sight and an adjustable rear sight which have proven their worth under severe conditions. The sights are designed and dimensioned to ensure rapid target acquisition even when visibility is poor.

### CAUTION

SIG SAUER SUGGESTS THAT FIXED-SIGHT CORRECTIONS SHOULD BE PERFORMED ONLY BY A CERTIFIED SIG SAUER ARMORER. OTHERWISE THE PISTOL COULD BECOME DAMAGED.

### NOTE

For SIG SAUER ELECTRO-OPTICS adjustments please see the operators manual for your specific sight. If you need a copy you can download operators manuals from the [sigsauer.com](http://sigsauer.com) website.

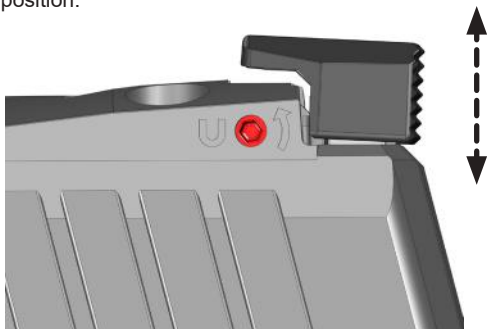


## 8.1 REAR SIGHT ADJUSTMENTS

The rear sight is both elevation and windage adjustable by the shooter using the provided 1.3 mm hex key.

### Elevation

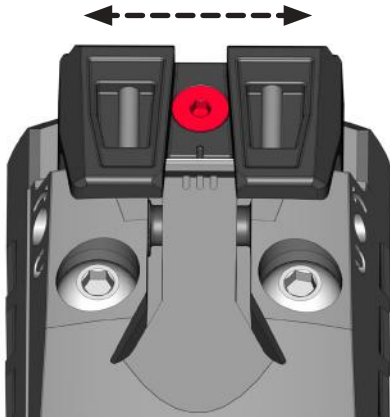
Elevation is adjusted from the left side of the pistol and turned counterclockwise to raise the shot group or clockwise to lower the shot group. Similar adjustments can be made on the right side using a small flat blade screwdriver. If you continue to adjust past the maximum height setting the sight will “reset” back to its lowest position.





## Windage

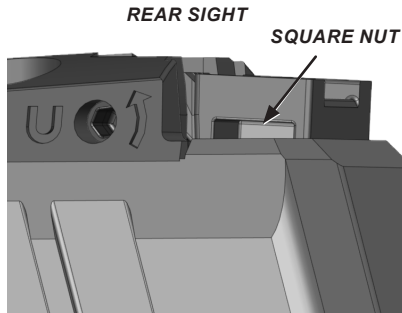
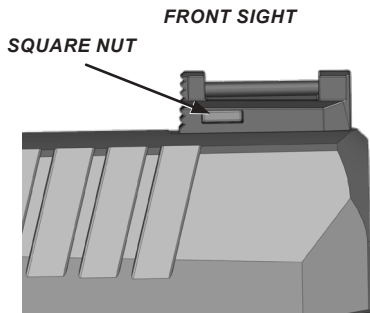
Windage is adjusted from the top of the rear sight and can be adjusted left or right. To adjust for windage loosen the top hex screw and manually slide it left or right. Alignment with the left or right marking will shift point of impact 3.5 in. at 15 yards.



## 8.2 REPLACING FIBER OPTIC LINE IN SIGHTS

### CAUTION

USE CAUTION REMOVING AND REPLACING THE FIBER OPTIC LINE IN THE FRONT AND REAR SIGHTS. THE SCREWS, NUTS, AND COIL PIN ARE EXTREMELY SMALL AND VERY EASY TO LOSE. MANIPULATING THE SIGHTS WITH THE SCREWS REMOVED MAY CAUSE THE SQUARE NUTS TO FALL OUT. REINSTALL AS NECESSARY.





## NOTE

In order to exchange the fiber line the slide needs to be removed from the grip & frame.

### Fiber Optic Line Replacement Size

	<i>Diameter</i>	<i>Length</i>
<i>Front</i>	0.060 in. (1.5 mm)	0.560 in. (14.3 mm)
<i>Rear</i>	0.060 in. (1.5 mm)	0.390 in. (9.9 mm)

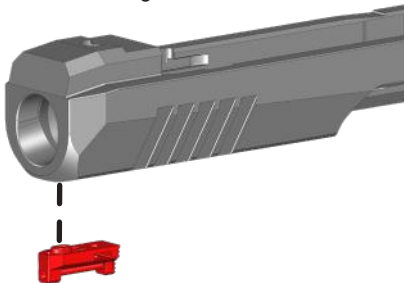
## 8.2.1 FRONT SIGHT

### Removal

1. Using the 1.3 mm/0.050 in. hex key remove screw from underside of slide. Hold onto front sight as it will no longer be attached to slide when the screw is removed.



2. Remove front sight from the slide being careful not to lose the retaining coil pin.

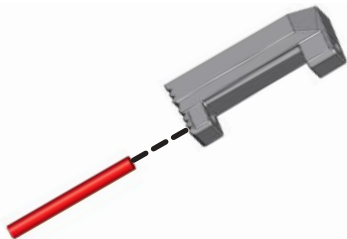


3. Rotate front sight so the retaining coil pin falls out.





4. Remove the fiber optic line.



### Install

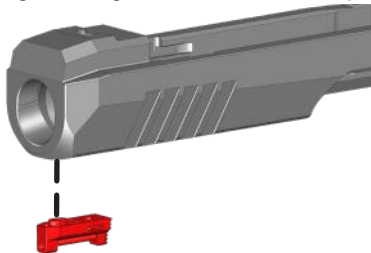
1. Install new fiber optic line into front sight.



2. Turn front sight upside down and drop in retaining coil pin.



3. With slide upside down, align front sight to slide and hold it in place.



4. Hold front sight in place and reinstall front sight screw using 2 mm drive bit. Torque to 3 in-lbf.



## 8.3 REAR SIGHT PLATE

### Removal

1. Use 2 mm drive bit to remove rear sight plate screws.



2. Remove sight plate from slide.



## Install

1. Position sight plate in slide cutout and align screw holes.



2. Use 2 mm drive bit to install rear sight plate screws, tighten to 8 in-lbf.





## 8.4 REAR SIGHT

### Removal

1. Using 1.3 mm/0.050 in. hex key remove screw on rear sight.



2. Hold sight in place and flip slide upside down. Remove rear sight.
3. Remove fiber optic line.



## Install

1. Place new fiber optic line into grooves in rear sight.
2. While holding rear sight and slide upside down bring rear sight up to slide and hold it in place.



3. While holding sight and slide, use the 1.3 mm/0.050 in. hex key install rear sight windage screw, tighten to 3 in-lbf.





## 8.4.1 SLIDE RACKER (COMP SLIDE ONLY)

### Removal

1. Use a 2.5 mm drive bit to remove slide racker screw.



2. Remove slide racker from slide.



## Install

1. Place slide racker in slot of slide and align screw hole.



2. Use a 2.5 mm drive bit to install the slide racker screw, tighten to 8 in-lbf.





## 8.5 ROMEOZERO

### Removal

1. Use a 2 mm drive bit to remove ROMEOZero mounting screws.



2. Remove ROMEOZero from slide.



## Install

1. Place ROMEOZero in slot of slide and align screw holes.

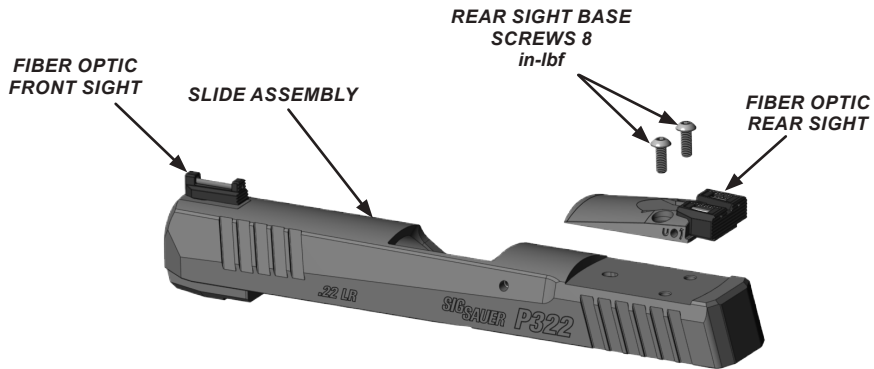


2. Use a 2 mm drive bit to install ROMEOZero mounting screws, tighten to 8 in-lbf.

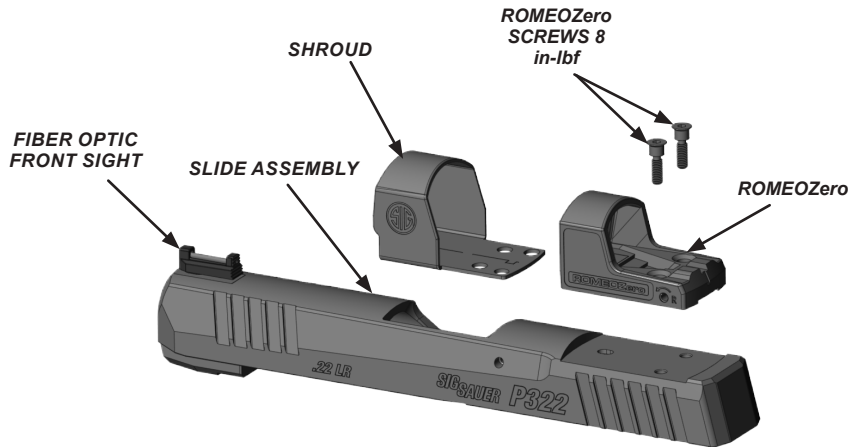




## 9.0 STANDARD SLIDE

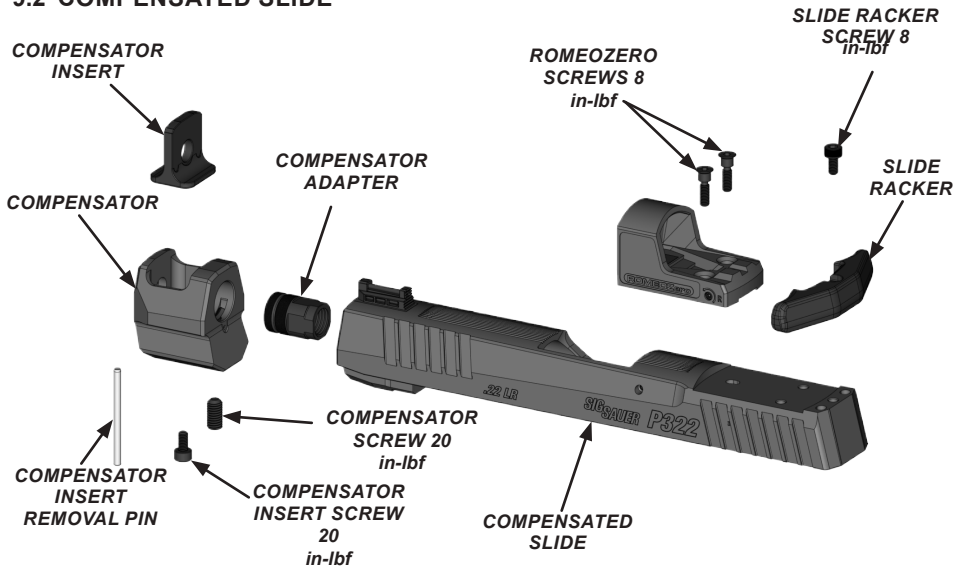


## 9.1 SLIDE WITH ROMEOZERO

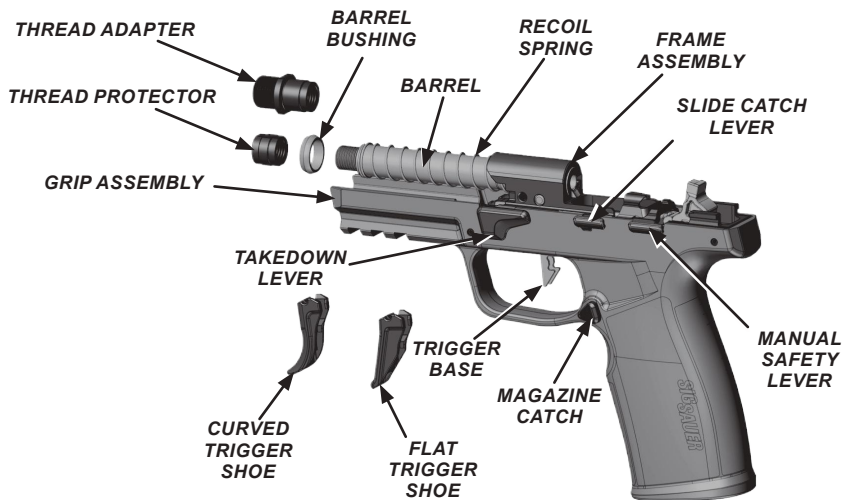




## 9.2 COMPENSATED SLIDE

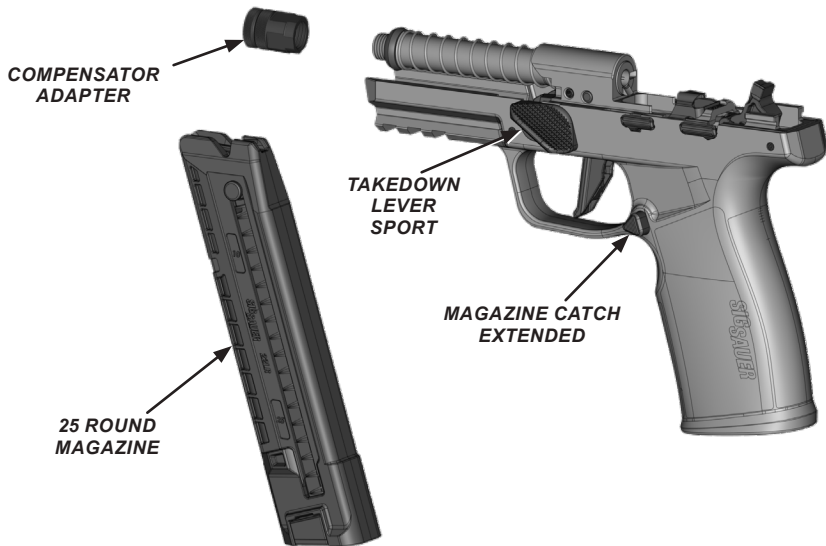


### 9.3 STANDARD FRAME AND GRIP





## 9.4 COMPENSATED FRAME AND GRIP



**THIS PAGE INTENTIONALLY LEFT BLANK**



## 10.0 STORAGE AND TRANSPORTATION



### **WARNING UNLOAD/CLEAR**



**YOU MUST UNLOAD AND CLEAR THE FIREARM PRIOR TO TRANSPORTING (REFER TO THE, “UNLOADING AND CLEARING THE FIREARM” SECTION). VERIFY THE MAGAZINE IS REMOVED. VISUALLY AND PHYSICALLY CONFIRM THE FIREARM IS UNLOADED AND CLEARED BEFORE TRANSPORTING. FAILURE TO ENSURE THE FIREARM IS UNLOADED AND CLEARED COULD RESULT IN UNINTENTIONAL DISCHARGE, CAUSING INJURY OR DEATH TO YOURSELF OR OTHERS, OR DAMAGE TO PROPERTY.**



### **WARNING STORAGE**

**NEVER PLACE OR STORE ANY FIREARM IN SUCH A MANNER THAT IT MAY BE DISLODGED. FIREARMS SHOULD ALWAYS BE STORED SECURELY AND UNLOADED, AWAY FROM CHILDREN AND OTHER UNAUTHORIZED USERS. THE USE OF A LOCKING DEVICE OR SAFETY LOCK IS ONLY ONE ASPECT OF RESPONSIBLE FIREARMS STORAGE. FOR INCREASED SAFETY, FIREARMS SHOULD BE STORED UNLOADED AND LOCKED IN A LOCATION THAT IS BOTH SEPARATE FROM THEIR AMMUNITION AND INACCESSIBLE TO CHILDREN AND ANY OTHER UNAUTHORIZED PERSON.**

**Short Term Storage (90 days or less)**

1. Ensure the chamber and magazine do not contain live ammunition.
2. Clean the bore and chamber
3. Apply a generous coat of CLP to the chamber and bore.
4. Apply a light coat of CLP to all other metal surfaces for corrosion protection.

**Long Term Storage (90 days or longer)**

1. Ensure the firearm is thoroughly cleaned.
2. Apply a medium coat of CLP to the chamber and bore.
3. Apply a light coat of CLP to all other metal surfaces for corrosion protection.
4. Wrap the firearm with a waterproof material.
5. Place the firearm in a corrosion resistant barrier bag.

**Environmental Storage Recommendations (Armory)**

Provide humidity control to limit the relative humidity to no greater than 40% at 80 degrees Fahrenheit (26.7 degrees Celsius). If personnel will be working in these areas, design to 68 deg F (20.0 deg Celsius) dry bulb and 40% RH for indoor design heating conditions, and 75 deg F (23.9 deg Celsius) dry bulb and 40% RH for indoor design cooling conditions.



## **11.0 SERVICE AND REPLACEMENT PARTS POLICY**

### **11.1 PARTS POLICY**

Our Service Department maintains a full complement of replacement parts. Even though most gunsmiths have the knowledge, training, and the ability to make necessary repairs to your firearm, the skill and workmanship of any particular 3rd party gunsmith is totally beyond our control.

Should your firearm ever require service, we strongly recommend that you return it to SIG SAUER Inc. A firearm is a precision instrument and some replacement parts will require individual fitting to ensure correct operation. A wrong part, improper fitting, or incorrect mechanical adjustment may result in an unsafe condition or dangerous malfunction, damage to the firearm, or cause possible serious injury to the shooter or others

IF ANY PART IS ORDERED WITHOUT RETURNING THE FIREARM TO SIG SAUER Inc., the customer bears full responsibility for ensuring that the part supplied is correct for their particular firearm and is properly installed and fitted by a qualified gunsmith.

SIG SAUER INC. IS NOT RESPONSIBLE FOR THE FUNCTIONING OF ANY FIREARM IN WHICH REPLACEMENT PARTS ARE INSTALLED BY OTHERS.

**WARNING PARTS REPLACEMENT**

**IT IS THE PURCHASER'S RESPONSIBILITY TO BE ABSOLUTELY CERTAIN THAT ANY PARTS ORDERED FROM THE FACTORY ARE CORRECTLY FITTED AND INSTALLED. FIREARMS ARE COMPLICATED MECHANISMS AND IMPROPER FITTING OF PARTS MAY RESULT IN A DANGEROUS MALFUNCTION, DAMAGE TO THE FIREARM, AND SERIOUS INJURY TO THE SHOOTER AND OTHER PERSONS. THE PURCHASER AND INSTALLER OF PARTS MUST ACCEPT FULL RESPONSIBILITY FOR THE CORRECT ADJUSTMENT AND FUNCTIONING OF THE FIREARM AFTER SUCH INSTALLATION.**

**Ordering Parts/Service - International Commercial Customers**

1. Go to [sigsauer.com](http://sigsauer.com)
2. Click on How to Buy.
3. Click on CANADA or INTERNATIONAL.
4. Click on COMMERCIAL and follow the instructions to locate an authorized service facility.

**Ordering Parts/Service - Government/Law Enforcement/Military**

Option 1: Contact your authorized In-Country SIG SAUER representative.

Option 2: Go to [sigsauer.com](http://sigsauer.com)

1. Click on How to Buy
2. Choose International
3. Select LAW ENFORCEMENT/MILITARY
4. Scroll to your country, then click on SEARCH
5. A link for your region will be displayed with contact information



## **12.0 SHIPPING FIREARMS FOR REPAIR**

### **Returning Your Firearm for Service**

In the event you need to return your firearm to the SIG SAUER Service Department, here's what to do:

1. The first step is to contact Customer Service at (603) 610-3000 for Return Merchandise Authorization (RMA) number. This number allows SIG SAUER to track the status of your return from its receipt at SIG SAUER through its return to you. Please do not send your firearm until you obtain an RMA number.
2. Make sure the chamber and magazine(s) are unloaded and that no ammunition is included with your returned firearm.
3. Package the firearm securely to prevent damage. Enclose a letter which includes your name, street address, daytime phone number, model and serial number, and a detailed description of the problem you are experienced or the work you want performed. With the exception of extra magazines, do not include scopes, mounts, or other accessories.
4. An individual's ability to legally ship firearms to the manufacturer for repair or service varies according to state and local law. Some jurisdictions require that firearms be shipped and returned by a Federally Licensed Firearms Dealer. Consult applicable law to determine how your firearm should be returned.

5. Federal law prohibits persons who do not possess a Federal Firearms License from shipping a firearm via the U.S. Postal Service. (Note: any shipment of firearms outside U.S. borders is subject to the export laws of the United States and to the valid laws of the specific country, which you must strictly follow: prior to exporting any firearm you should seek legal counsel.)
6. SIG SAUER is not responsible for any firearm until it is received, nor for damage incurred during shipment.
7. Ship your firearms insured and prepaid (we do not accept collect shipments) to:

SIG SAUER Inc.  
Attention: Service Department  
18 Industrial Drive Exeter, NH 03833



## **SIG SAUER® LIMITED LIFETIME FIREARMS WARRANTY**

SIG SAUER warrants that the enclosed firearm was originally manufactured free of defects in material, workmanship, and mechanical function. For the lifetime of the original purchaser, SIG SAUER agrees to correct any defect in the firearm for the original purchaser by repair, adjustment, or replacement, at SIG SAUER's option, with the same or comparable quality components (or by replacing the firearm at SIG SAUER's option); provided however that a Return Merchandise Authorization (RMA) is first obtained by contacting SIG SAUER Customer Service, and the firearm is returned unloaded and freight prepaid to:

SIG SAUER  
18 Industrial Drive  
Exeter, NH 03833.

This limited warranty is null and void if the firearm has been misused, damaged (by accident or otherwise), fired with handloaded, reloaded, or improper ammunition, fired with an obstruction in the barrel, damaged through failure to provide reasonable and necessary maintenance as described in the manual accompanying the firearm, or if unauthorized repair or any alteration, including of a cosmetic nature, has been performed on the firearm. This limited warranty does not apply to normal wear and tear of any parts.

Subject to the foregoing, this limited warranty confers the right to have the covered firearm or its parts repaired, adjusted, or replaced exclusively upon the original purchaser, which right is not transferable to any other person. This warranty does not apply to any accessory items attached or appurtenant to the firearm.

ANY WARRANTIES IMPLIED BY LAW, INCLUDING ANY IMPLIED WARRANTIES OF MERCHANTABILITY OR FITNESS FOR A PARTICULAR PURPOSE, ARE EXPRESSLY DISCLAIMED. REPAIR, ALTERATION, OR REPLACEMENT AS PROVIDED HEREIN IS YOUR EXCLUSIVE REMEDY FOR ANY DEFECTIVE PRODUCT. IN NO EVENT SHALL SIG SAUER OR ANY COMPANY AFFILIATED WITH SIG SAUER BE LIABLE FOR ANY SPECIAL, INCIDENTAL, OR CONSEQUENTIAL DAMAGES OF ANY KIND ARISING OUT OF THE PURCHASE OR USE OF THIS PRODUCT, WHETHER BASED UPON CONTRACT, TORT, STATUTE, OR OTHERWISE.

Some states do not allow the exclusion or limitation of implied warranties, or the exclusion or limitation of incidental or consequential damages, so some or all of the above limitations or exclusions may not apply to you. This warranty gives you specific legal rights, and you may also have other rights which vary from State to State.

THIS WARRANTY APPLIES TO U.S. COMMERCIAL CUSTOMERS ONLY, AND DOES NOT APPLY TO GOVERNMENT, MILITARY, LAW ENFORCEMENT, OR NON-US CUSTOMERS. NON-US CUSTOMERS SHOULD CONTACT THEIR LOCAL DEALER OR DISTRIBUTOR FOR APPLICABLE WARRANTY COVERAGE.

**SIG SAUER®**

**sigsauer.com**

**SIG SAUER, Inc.  
72 Pease Boulevard, Newington, NH 03801 USA**

All trademarks, service marks, trade names, trade dress, product names and logos appearing in this manual are the property of their respective owners. No trademark or service mark appearing in this manual may be used without written consent of the mark's owner.