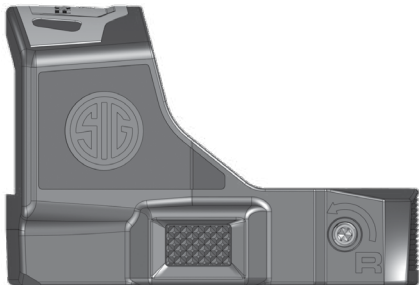


**SIGSAUER**



# ROMEO-RS

COMPACT and PRO Open Reflex Sights  
OPERATOR'S MANUAL



READ THE INSTRUCTIONS AND WARNINGS IN THIS MANUAL CAREFULLY BEFORE USING THIS OPTIC; DO NOT DISCARD THIS MANUAL.

## CONTENTS

Introduction . . . . .	3
Contents . . . . .	4
Key Features . . . . .	5
ROMEO-RS Product Identification . . . . .	6
Button Battery Warning Information . . . . .	9
Operation . . . . .	11
Installation . . . . .	14
Sight Adjustments And Zeroing . . . . .	16
Maintenance . . . . .	19
Troubleshooting . . . . .	20
SIG SAUER® Infinite Guarantee™ . . . . .	22

## INTRODUCTION

The ROMEO-RS features a revolutionary hybrid housing design, with an integrated steel chassis surrounded by high strength polymer (ROMEO-RS = Reinforced Steel). While polymer reduces weight and increases recoil shock resistance, critical mechanical interfaces are reinforced with metal for added rigidity and durability. A molded glass aspheric lens provides distortion-free clarity and a side control button makes reticle adjustments quick and easy. Several reticle options are available and feature the latest highly-efficient point source emitters with 8 brightness levels. A side battery tray means never needing to remove the optic from the firearm to change the battery and MOTAC (Motion Activated Illumination) automatically shuts the optic off after two minutes of inactivity, then instantly turns it back on when motion is detected.

Designed, developed, tested, and assembled in the USA using state of the art robotic processes, the ROMEO-RS open reflex sights are loaded with features and cutting edge technology at an affordable price. The COMPACT model fits all Shield RMSc footprints and the PRO model fits all DeltaPoint PRO footprints.

The ROMEO-RS is covered by the SIG SAUER® Infinite Guarantee™.

## CONTENTS

- ROMEO-RS COMPACT or PRO Open Reflex Sight
- CR1632 Battery
- Mounting Screws
  - M3 & M4 Torx® Mounting Screws (COMPACT)
  - M4 Torx Mounting Screws (PRO)
- T5 & T10 Torx Wrenches
- Operator's Manual (some models)



Scan the QR code to visit [sigsauer.com](https://sigsauer.com) for additional information about SIG SAUER products, SIG SAUER Academy and the SIG Experience Center, Special Programs, and additional support.

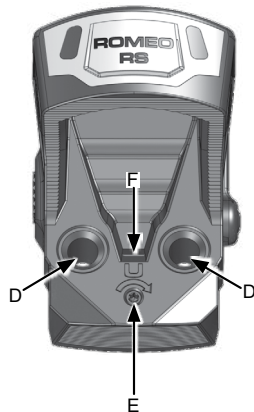
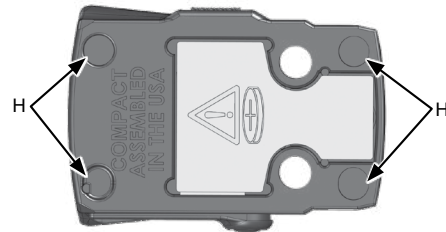
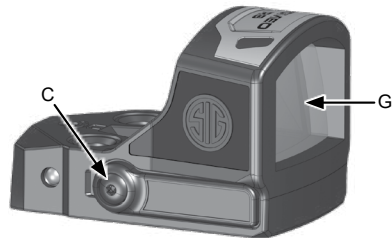
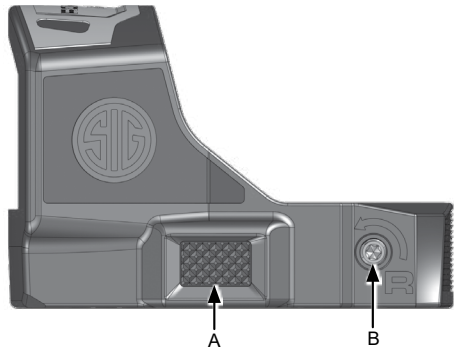
## KEY FEATURES

- Hybrid design featuring a skeletonized steel chassis, molded into a high strength polymer housing (ROMEO-RS = Reinforced Steel).
- Molded glass aspheric lens, allowing a distortion-free sight picture.
- High-efficiency point source LED emitter, available in several reticle options, with eight brightness levels.
- Large side control button for quick and easy reticle adjustments.
- Eight brightness settings.
- Side-mounted CR1632 battery tray with security screw for easy battery changes without the need to remove the optic from the firearm.
- Minimum continuous runtime of 20,000 hours, at medium brightness setting (dot only).
- MOTAC (Motion Activated Illumination) that powers up when it senses motion and powers down when it does not.
- Designed, developed, tested, and assembled in the USA.
- SIG SAUER Infinite Guarantee.

## ROMEO-RS PRODUCT IDENTIFICATION

(COMPACT Model Shown, PRO model is similar)

- A – Control Button
- B – Windage Adjustment Screw
- C – Battery Tray
- D – Mounting Screw Holes
- E – Elevation Adjustment Screw
- F – Emitter
- G – Front Lens
- H – Recoil Lug Witness Holes



**WARNING UNLOAD/CLEAR**

BEFORE WORKING ON THE ROMEO-RS SIGHT, ALWAYS ENSURE THAT THE FIREARM IS UNLOADED AND CLEARED WITH THE SAFETY ON AND POINTED IN A SAFE DIRECTION. FAILURE TO COMPLY COULD RESULT IN INJURY OR DEATH.

**BUTTON BATTERY WARNING INFORMATION****⚠ WARNING**

- **INGESTION HAZARD:** This product contains a button cell or coin battery.
- **DEATH** or serious injury can occur if ingested.
- A swallowed button cell or coin battery can cause **Internal Chemical Burns** in as little as **2 hours**.
- **KEEP** new and used batteries **OUT OF REACH of CHILDREN**.
- **Seek immediate medical attention** if a battery is suspected to be swallowed or inserted inside any part of the body.



- Keep in original package until ready to use.
- Remove and immediately recycle or dispose of used batteries according to local regulations and keep away from children. Do NOT dispose of batteries in household trash or incinerate.
- For treatment information call, The National Battery Ingestion Hotline (NBH) 1-(800) 498-8666.

**⚠ WARNING**

- Even used batteries may cause severe injury or death.
- Call a local poison control center for treatment information.
- Compatible battery: CR1632 Nominal voltage: 3V
- Do not mix old and new batteries, different brands or types of batteries, such as alkaline, carbon-zinc, or rechargeable batteries.
- Ensure the batteries are installed correctly according to polarity (+ and -).
- Remove and immediately recycle or dispose of batteries from equipment not used for an extended period of time according to local regulations.
- Non-rechargeable batteries are not to be recharged.
- Do not force discharge, recharge, disassemble, heat above 212°F(100°C) or incinerate. Doing so may result in injury due to venting, leakage or explosion, resulting in chemical burns.
- Always completely secure the battery compartment. If the battery compartment does not close securely, stop using the product, remove the batteries, and keep them away from children.



WARNING: CANCER AND REPRODUCTIVE HARM—[www.P65warnings.ca.gov](http://www.P65warnings.ca.gov)

**OPERATION****Installing the Battery****NOTE**

Failure to properly torque the security screw in a clockwise (CW) direction to 4 in-lbs could lead to an ingestion hazard of the coin battery, intermittent LED illumination or allow moisture into the battery compartment.

The battery tray is located on the right side of the optic and is secured with a T5 Torx screw.

1. Using a T5 Torx driver, loosen the security screw and pull out the battery tray.
2. Install a fresh CR1632 battery, positive side facing up, in the battery tray. While holding the battery in place with a finger, slide the battery tray back into the housing.
3. Tighten security screw to 4 in-lbf. (or until the screw meets resistance, plus an additional 1/8 turn).



## Turning Sight On and Off

- Turn the sight ON by pressing the Control Button for over one second. Turn the sight OFF by repeating the same procedure.
- FOR CIRCLE/DOT MODELS ONLY - From ON, press and hold the Control Button for over three seconds to enter reticle change mode. The reticle will briefly turn off, then back on in a flashing state. While the reticle is flashing (there is a five-second window), press and release the Control Button to change the reticle. Each press and release of the Control Button will cycle between the three reticle options. After five seconds of no button presses, the displayed reticle will lock in and stop flashing. Any time the optic is turned off via the Control Button or via MOTAC, it will turn back on in the last reticle option and at the last brightness setting used. The reticle options are:
  - 2 MOA red dot surrounded by a 32 MOA red circle
  - 2 MOA red dot only
  - 32 MOA circle only
- The ROMEO-RS features MOTAC (Motion Activated Illumination System). If the illuminated reticle does not detect motion for two minutes, it automatically shuts off. The instant the optic detects motion, it powers on, returning to the previous brightness and reticle setting.
- The ROMEO-RS has eight brightness settings. From ON, press and release the Control Button to raise the brightness by one level. Each press and release of the Control Button raises the brightness by one level. When the top brightness level is reached, the reticle will flash multiple times. Subsequent button presses will lower the brightness one level per button press until the lowest level is reached. The reticle will flash multiple times to indicate the lowest level has been reached, and subsequent button presses will raise the brightness levels again.
- LOW BATTERY INDICATOR - When the optic is turned ON from the OFF state using the Control Button, if the reticle slowly strobes several times, it indicates that the battery needs to be replaced and that there is approximately 24 hours of runtime left (at high setting). Replace the battery with a fresh CR1632 as soon as possible.

## INSTALLATION



**WARNING UNLOAD/CLEAR**



**BEFORE WORKING ON THE ROMEO-RS SIGHT, ALWAYS ENSURE THAT THE FIREARM IS UNLOADED AND CLEARED WITH THE SAFETY ON AND POINTED IN A SAFE DIRECTION. FAILURE TO COMPLY COULD RESULT IN INJURY OR DEATH.**

### Mounting the Sight

The ROMEO-RS comes in two models, COMPACT and PRO.

The COMPACT model is designed to mount to any firearm or mount that uses the Shield™ RMS-c mounting footprint. The PRO model is designed to mount to any firearm or mount that uses the DeltaPoint® PRO mounting footprint. Remove any pistol optic cover plate from the pistol slide (refer to the firearm owner's manual). Ensure the threaded mounting holes in the mounting surface are clean and free from any debris or thread locker compound.

The ROMEO-RS comes with mounting screws for the most common pistols in the industry. The mounting screws are labeled with the part number and correspond to the following mounting applications and torque values:

SCREW PART NUMBER	SCREW SIZE	DRIVE	APPLICATION	TORQUE (INCH POUNDS)
7405349 (compact model only)	M3X0.5-15MM	T10 TORX	SIG P365 (WITH M3 MOUNT HOLES)	20
		T10 TORX	SIG P322	12
7405347	M4X0.7-12.5MM	T10 TORX	SIG PRO CUT SLIDES, SIG P365 SLIDES WITH M4 MOUNT HOLES, DELTAPOINT PRO FOOTPRINT	20
7405348	M4X0.7-12MM	T10 TORX	GLOCK® MOS PISTOLS AND ADAPTER PLATES, SPRINGFIELD HELLCAT®	20

If mounting the ROMEO-RS to an aluminum slide, mount, or adapter plate, see the slide/mount/plate manufacturer's torque specifications. For other SIG SAUER optics-ready pistols not listed above, contact SIG SAUER Customer Service for mounting screw information, torque values, and mounting guidance.

Select the proper mounting screws and test them first to ensure they thread smoothly into the mounting surface holes. Set the ROMEO-RS onto the mounting surface, lining up any protruding recoil bosses in the mounting surface with the recoil lug witness holes in the bottom of the optic. Insert the mounting screws through the optic mounting screw holes and slowly thread them into the threaded holes in the mounting surface, while putting forward pressure (toward the muzzle) on the optic housing. Torque the mounting screws to the appropriate torque value. It is strongly recommended to use an inch-pound torque wrench.

**SIGHT ADJUSTMENTS AND ZEROING****CAUTION**

DO NOT FORCE THE ADJUSTMENT SCREWS BEYOND THEIR LIMITS OF TRAVEL. DOING SO MAY PERMANENTLY DAMAGE THE OPTIC. DO NOT TURN THE WINDAGE SCREW COUNTERCLOCKWISE BEYOND THE SCREW HEAD BEING FLUSH WITH THE SURFACE OF THE HOUSING.

**NOTE**

The windage and elevation adjustment screws use friction within the housing to hold them tightly in place so that the optic does not lose zero during recoil. Therefore, they require sufficient force to break the friction and start turning them in either direction. Once they begin turning, much less force is required.

**Elevation Adjustments** – The elevation adjustment screw is located on top of the rear deck of the optic, just behind the mount screw holes. To raise the point of impact, use the supplied T5 Torx wrench to turn the adjustment screw clockwise. To lower the point of impact, turn the adjustment screw counterclockwise. A 1/4 rotation of the adjustment screw is equal to approximately 10 MOA of travel.

**Windage Adjustments** – The windage adjustment screw is located on the left side of the optic, just behind the control button. To move the point of impact right, use the supplied T5 Torx wrench to turn the adjustment screw counterclockwise. To move the point of impact left, turn the screw clockwise. A 1/4 rotation of the adjustment screw is equal to approximately 10 MOA of travel.

**NOTE**

The directional arrows near the adjustment screws indicate the direction the bullet impacts will move. They do not indicate the direction the reticle is moving. One full rotation of either the windage or elevation adjustment screw is equal to approximately 40 MOA of travel. Therefore, 1/4 of a rotation in either direction is approximately 10 MOA of travel, which equals 1 inch at 10 yards, 1.5 inches at 15 yards, or 2.5 inches at 25 yards.

Elevation Adjustment		
POI Up	↑	↺
POI Down	↓	↻
Windage Adjustment		
POI Right	→	↻
POI Left	←	↺

**Zeroing** – When mounted, the ROMEO-RS should be sighted in just like a rifle optic. A precise group (minimum five rounds) should be shot at a cardboard or paper target. Compare the Point of Aim (POA) held on the target with the Point of Impact (POI) of the rounds on the target. Use the windage and elevation adjustments to bring the point of aim together with the point of impact. It is recommended that initial sight-in procedure be done with a paper target at 5-7 yards, before moving the target to greater distances for final zeroing.

## MAINTENANCE



**WARNING UNLOAD/CLEAR**



**BEFORE WORKING ON THE ROMEO-RS SIGHT, ALWAYS ENSURE THE FIREARM IS UNLOADED AND CLEARED WITH THE SAFETY ON AND POINTED IN A SAFE DIRECTION. FAILURE TO COMPLY COULD RESULT IN SERIOUS INJURY OR DEATH.**

## CAUTION

ALWAYS BLOW DUST OR DEBRIS FROM LENSES PRIOR TO USING ANY CLOTH OR LENS PEN. FAILURE TO DO THIS MAY RESULT IN SCRATCHING OF THE LENSES.

- Cleaning – Keep glass lens clear by using a clean, soft lens cloth. To avoid scratches in the surface of the lens coatings, be sure to remove any brass particles, dirt, dust, or carbon buildup from the glass before wiping the surface. Use compressed air to blow away debris and a cotton swab lightly soaked in Isopropyl Alcohol to remove carbon.
- Replacing the battery – See **INSTALLING THE BATTERY ON PAGE 11**.

## TROUBLESHOOTING

### POI Changes between groups when shooting from a single set distance

- Check that the mounting screws are torqued to the correct specification. – See ***MOUNTING THE SIGHT ON PAGE 14.***
- Check for variations in ammunition brand, bullet weight, and velocity specs.
- Check/clean the firearm.

### Reticle not illuminated

- Press and hold the control button for over 1 second. Continue to press and release the control button to make sure the illuminated reticle is not in one of the lowest illumination levels, which can be difficult to see in bright environments.
- Ensure the battery is installed properly (+ facing up).
- Make sure the battery tray security screw is tightened to 4 in-lbf.
- Replace the battery.

### Illuminated reticle suddenly changes shape or becomes blurry

- Use compressed air to blow out the emitter area, located on top of the sight between the two mount screw holes.

SPECIFICATIONS	
OVERALL LENGTH	COMPACT: 1.61" (41mm) / PRO: 1.83" (46.5mm)
OVERALL HEIGHT	COMPACT: 1.10" (27.9mm) / PRO: 1.21" (30.7mm)
OVERALL WIDTH	COMPACT: 1.12" (28.5mm) / PRO: 1.42" (36.0mm)
WEIGHT WITH BATTERY	COMPACT: 0.75 oz (21.4g) / PRO: 0.94 oz (26.6g)
MAGNIFICATION	1x
CLEAR APERTURE DIAMETER	COMPACT: 24mm / PRO: 31mm
RETICLE	3 MOA green dot, 6 MOA green dot, 3 MOA red dot, 6 MOA red dot, 2 MOA red dot / 32 MOA red circle
BATTERY TYPE	CR1632
BATTERY RUNTIME	Up to 20,000 hours (continuous at medium setting, dot only)
OVERALL ELEVATION TRAVEL	70 MOA
OVERALL WINDAGE TRAVEL	70 MOA
BRIGHTNESS SETTINGS	8
WINDAGE/ELEVATION ADJUSTMENT	1/4 rotation of adjustment screw = 10 MOA 1 rotation of adjustment screw = 40 MOA



## SIG SAUER® INFINITE GUARANTEE™

SIG SAUER® has a history of quality and reliability that dates back more than 250 years. We understand the importance of true dependability whether it be in the line of duty, at the shooting range or on your next hunt and we continually strive to deliver products that meet and exceed the expectations of even the most demanding customers. That's why SIG SAUER is proud to offer our INFINITE GUARANTEE\* on all our firearms, optics, and suppressors.

Our promise: We warrant that your new SIG SAUER firearm, optic, or suppressor was originally manufactured free of defects in material, workmanship, electrical, optical, and mechanical function. We will repair your SIG SAUER product in the event it becomes damaged or is defective in any way, at no charge to you. If we cannot repair your product, we will replace it or, if we cannot replace it, we will provide you with a replacement of equal value. All with no questions asked, forever.

### SIG SAUER® Infinite Guarantee

- Fully Transferable
- No Warranty Card Required
- No Receipt Required
- No Time Limit Applies
- No Charge

Please note that our Infinite Guarantee excludes coverage for intentional damage, misuse, cosmetic damage that does not affect the performance of the optic, loss, theft, or unauthorized repair or modification. Excludes Tritium components.

Customers seeking warranty coverage must first obtain a Return Merchandise Authorization (RMA) by contacting SIG SAUER Customer Service and return the product unloaded and freight prepaid.

ANY WARRANTIES IMPLIED BY LAW, INCLUDING ANY IMPLIED WARRANTIES OF MERCHANTABILITY OR FITNESS FOR A PARTICULAR PURPOSE, ARE EXPRESSLY LIMITED IN DURATION TO THE DURATION OF THIS WRITTEN WARRANTY PERIOD. REPAIR, ALTERATION, OR REPLACEMENT AS PROVIDED HEREIN IS YOUR EXCLUSIVE REMEDY FOR ANY DEFECTIVE PRODUCT. IN NO EVENT SHALL SIG SAUER OR ANY COMPANY AFFILIATED WITH SIG SAUER BE LIABLE FOR ANY SPECIAL, INCIDENTAL, OR CONSEQUENTIAL DAMAGES OF ANY KIND ARISING OUT OF THE PURCHASE OR USE OF THIS PRODUCT, WHETHER BASED UPON CONTRACT, TORT, STATUTE, OR OTHERWISE.

Some states do not allow the limitation of implied warranties, or the exclusion or limitation of incidental or consequential damages, so some or all of the above limitations or exclusions may not apply to you. This warranty gives you specific legal rights, and you may also have other rights which vary from State to State.

This warranty applies to commercial customers only and does not apply to government, non-commercial, or non-US customers. Non-US COMMERCIAL CUSTOMERS MUST PURCHASE PRODUCT THROUGH AN AUTHORIZED SIG SAUER DEALER WITHIN THEIR COUNTRY OF RESIDENCE FOR THIS WARRANTY TO APPLY.



**FOR PRODUCT SERVICE ON THIS MODEL,  
PLEASE CALL (603) 610-3000**

**12100 SW Tualatin Rd, Tualatin, OR 97062 USA**

All trademarks, service marks, trade names, trade dress, product names and logos appearing in this manual are the property of their respective owners. No trademark or service mark appearing in this manual may be used without written consent of the mark's owner.