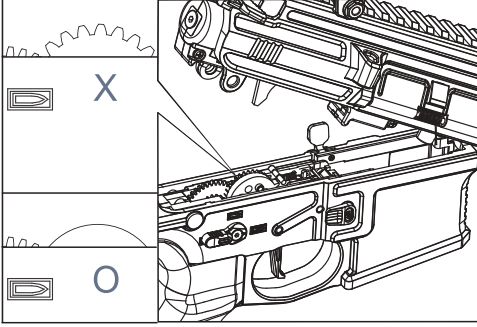


3 可動部的說明 Movable Parts

3-1 槍身結合3號齒正確位置圖 The correct position of sector gear before reassembling

注意 未進行歸位校正，會損壞活塞及齒輪
※ The piston and gear may be damaged without correcting the position in advance.

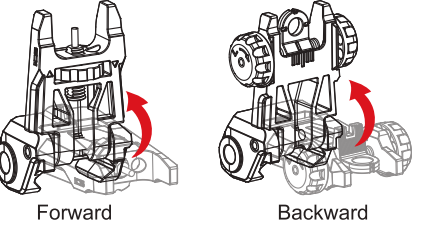


3號齒在槍身結合時，必須轉到正確位置，才可將上槍身蓋下。
Make sure the sector gear is turned to the correct position before reassembling the receiver/gearbox.

4 精確射擊調整動作 Precision Targeting Adjustment

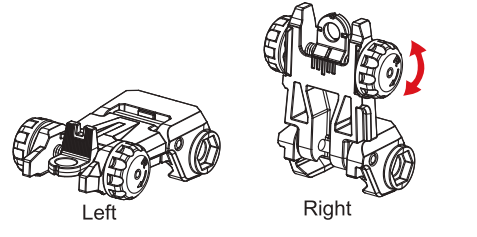
4-1 準星規孔調整方式 Front and Rear Sight Adjustment

A: 開合準星規孔 Rear and Front sights usage



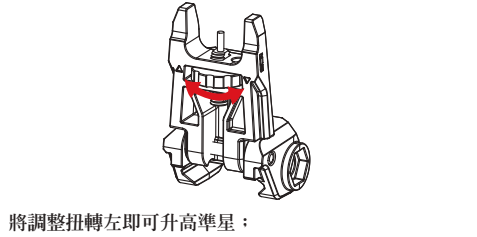
準星規孔立起或收合皆可瞄準
You can aim with the Front and Rear sight either raised or folded.

B: 規孔調整方式 Rear sight adjustment



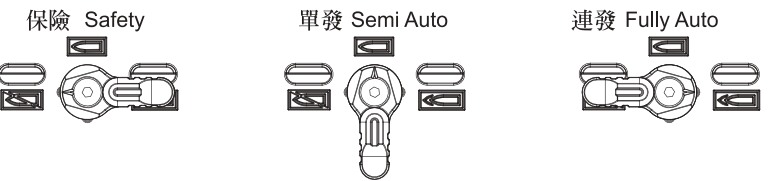
依旋轉方向旋轉即可將規孔組左右調整
Rotate clockwise to aim right.
Rotate counter clockwise to aim left.

C: 準星高度調整 Front sight adjustment



將調整扭轉左即可升高準星；
將調整扭轉右即可降低準星。
Rotate the dial counterclockwise to raise the aiming point.
Rotate clockwise to lower the aiming point.

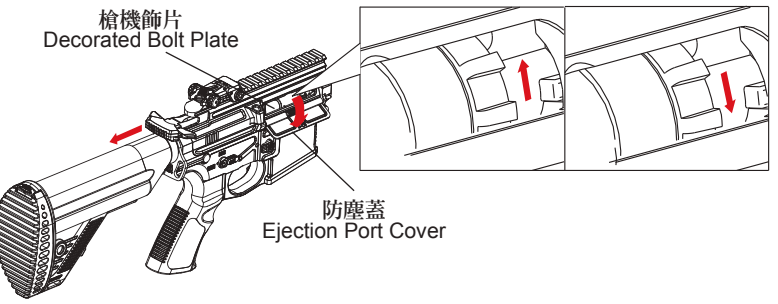
4-2 選擇射擊模式 Shooting Mode Setting



※此系列產品具備「關保險自動釋放彈簧功能」。
1. 槍上有彈匣的情況下，關保險會自動釋放彈簧，有機率造成第一發雙彈射出或者小徑彈，屬正常情況。
2. 槍枝使用完畢，請轉至單發模式下，擊發2-3下後做清槍動作，再關保險確保槍管內已無殘彈。
3. 上下槍身分解前，務必先關保險釋放彈簧，避免造成齒輪倒轉損壞活塞。
※關保險自動釋放，可延長彈簧壽命，避免長期擠壓造成疲乏

5 H-UP 彈道調整 H-UP Adjustment

注意 非必要時，手指請勿放置於H-UP調整處，避免受傷
※ To avoid injuries, only put your finger on the H-up adjustment when necessary.

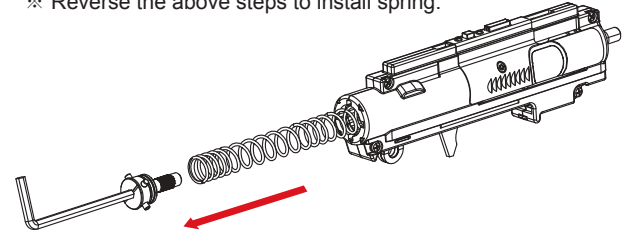


1. 將槍機拉柄往後拉(不可放開)，防塵蓋下翻、槍機飾片向後打開，即可進行彈道調整。
2. 視彈道進行撥盤調整，調整完即可放開槍機拉柄。
1. To adjust the trajectory, pull and hold the charging handle to the end (do not release) to open the ejection port cover downward, and open the decorated bolt plate backward.
2. Rotate the dial to adjust the trajectory. Release the charging handle once you finished the adjustment.

3-2 快拆尾頂桿 QD Spring Guide

1. 使用4mm六角板手，對準尾頂桿內推入後旋轉45度
2. 將尾頂桿與彈簧抽出
※安裝彈簧後依照步驟1倒序組裝

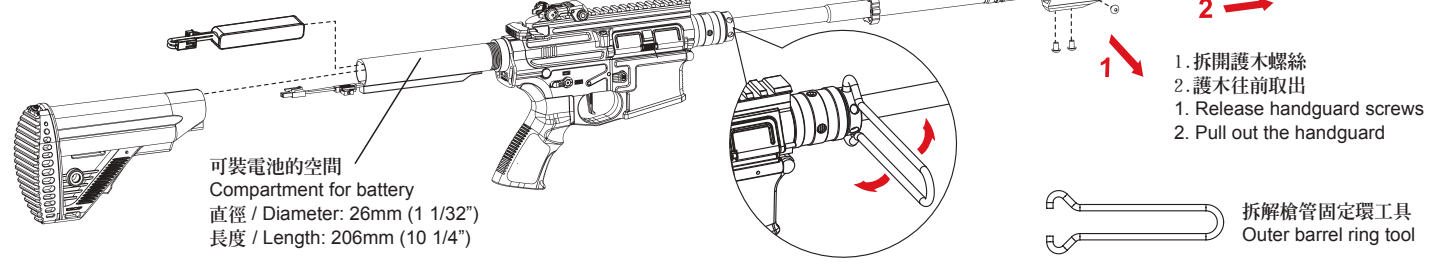
1. Use 4mm Allen key, insert it to the spring guide and then press down to turn 45 degrees.
2. Take out the spring guide and spring.
※ Reverse the above steps to install spring.



6 電池及護木的拆裝方法 Disassembling for Battery and Handguard

注意 重新組裝時，必須依反向動做組合
※ Reassembling is the reverse of disassembling procedures.

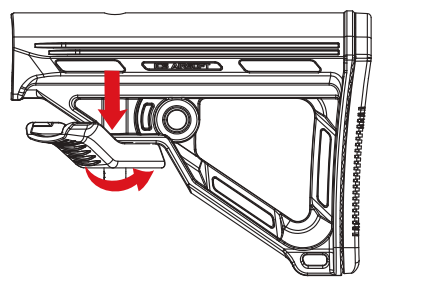
6-1 護木拆裝方式 Disassembling the handguard



6-2 電池裝卸方式 Loading the battery

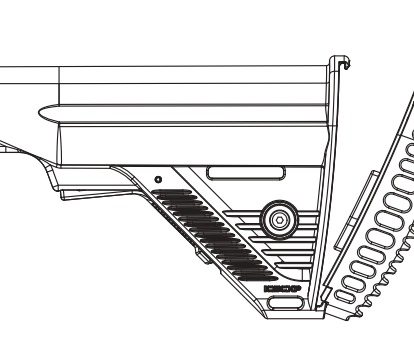
A: MTR 托 MTR Stock

將槍托調整桿往下拉並轉向側邊，向後取下槍托，方便安裝電池。
Pull the stock adjustment lever downward and turn it to aside. The battery can be loaded with ease after you remove the stock backward.



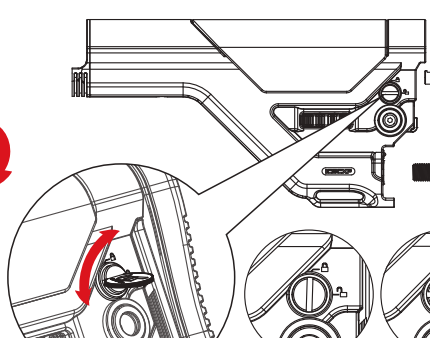
B: MTR S1 托 MTR S1 Stock

按下壓鈕即可分離槍托底蓋，方便安裝電池。
Press the button on the top of the stock to remove the butt cap and for easy battery installation.



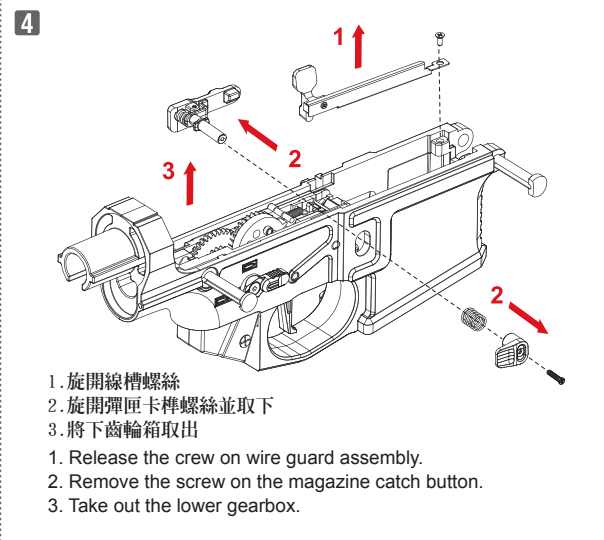
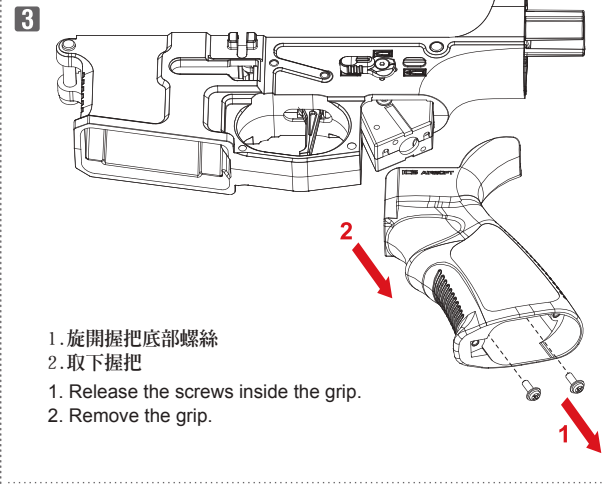
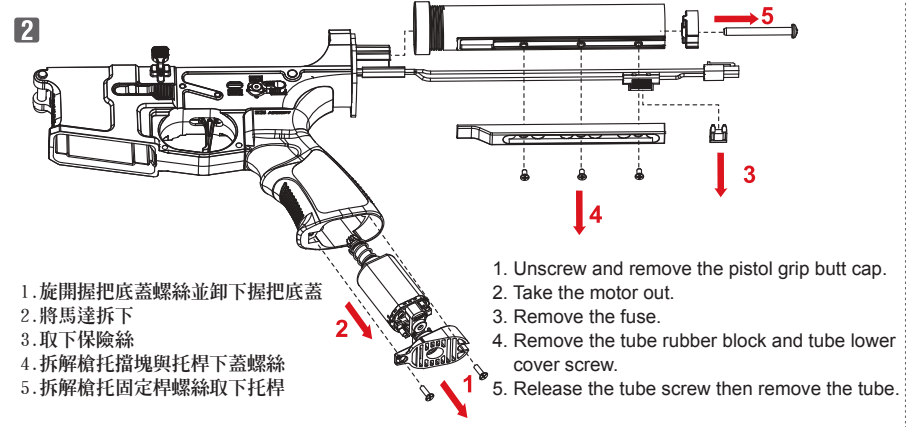
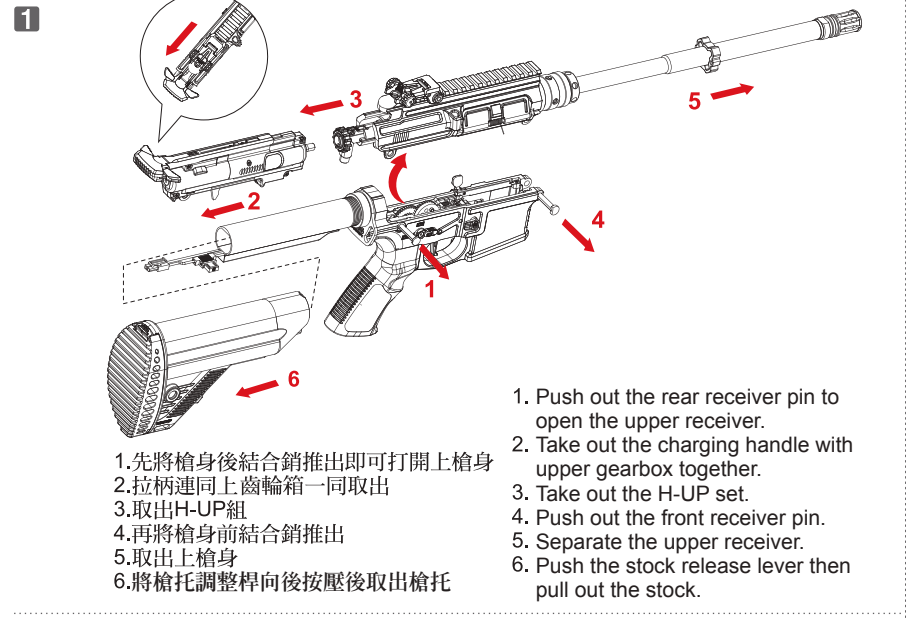
C: UKSR 托 UKSR Stock

用硬幣即可輕鬆解鎖取下槍托底蓋，方便安裝電池。
You can unscrew and remove the stock butt cap with a coin easily for easy battery installation.

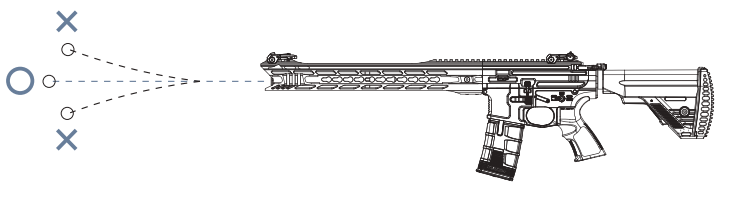


7 齒輪箱拆解 Disassemble Gearbox

注意 先卸彈匣跟電池，再進行拆解
※ Unload the magazine and battery before you proceed to disassemble.



※ This product is equipped with an auto spring tension releases mechanism in the safety mode.
1. Having a magazine loaded, it is a normal condition that the gun might shoot a double shot, or a weak shot after turning it to safety and releasing the tension stored in the spring.
2. After finishing playing, fire the gun 2- 3 times in semi auto to clear the remaining BBs inside the hop-up chamber, then switch the selector lever to safety to ensure there is no BB left inside.
3. Before opening the upper and lower receivers, always release the spring tension by turning the selector lever to safety position, this will avoid spring damage from sudden release from the sector gear.
※ The spring tension release mechanism can extend the spring lifetime by avoiding spring fatigued from long time compression.



H-UP調整：BB彈呈現一直線的彈道才是正確射法。
過於上飄：將撥盤向上旋轉。
過於下墜：將撥盤向下旋轉。
H-up Adjustment: Make sure the trajectory of the BB pellets to be straight.
When the BB pellet flies up: Rotate the dial counter-clockwise to lower the trajectory.
When the BB pellet falls down: Rotate the dial clockwise to raise the trajectory.