



警告

- 未成人需成人陪伴操作。
- 使用電動槍時需配戴護目鏡。
- 粗心或濫用電動槍容易造成自己及他人身體上的傷害。
- 不能將槍口對人或動物。
- 操作電動槍前請確實研讀使用說明書。
- 買家及玩家購買,使用電動槍需遵守各國當地法令與規定。
- 槍使用完畢請拔除電池。

- 電池充電完畢後請拔除充電線。
- 請勿靠近火源或高溫處。

TW



WARNING

- Product is intended for adults 18 years and older.
- Wear proper eye protection while shooting.
- Misuse may cause injury or death.
- The muzzle of an airsoft gun should never be pointed at someone to cause injury.
- Read this entire manual to ensure proper usage.
- Buyers and users should obey the laws and rules of the local authority.
- Remove the battery from the product when it is not in use.

- Turn off charger when batteries are fully charged.
- Risk of fire and burns.

EN



ATENCIÓN

- Si el jugador o jugadores tienen menos de 18 años se les requerirá ir acompañados de un mayor de edad que se responsabilice del menor en todo momento.
- Durante la práctica del Airsoft, es obligatorio llevar gafas de protección ocular acorde a las normativas vigentes en todo momento.
- El uso descuidado o indebido del Airsoft puede causar fácilmente daños a sí mismo y a los que le rodean.
- No se debe apuntar a personas o animales.
- Lea bien los manuales que acompañan las réplicas antes de empezar a usarlas para practicar Airsoft.
- Los poseedores de réplicas de Airsoft deben seguir estrictamente las leyes y regulaciones locales vigentes en el país de residencia o uso de las mismas, e informarse debidamente en los puntos de venta o autoridades del país antes de comprar y utilizar cualquier réplica de airsoft.
- Retire la batería del producto cuando no esté en uso.
- Apague el cargador cuando la batería este totalmente cargada.
- Riesgo de incendio y quemaduras.

ES



ATTENTION

- Ce produit est réservé aux utilisateurs de 18 ans et plus.
- Toujours porter des protections oculaires adaptées lors de l'utilisation du produit.
- La mauvaise utilisation de ce produit peut causer des blessures graves ou la mort.
- Ne jamais pointer le canon de la réplique sur quelqu'un pour causer des blessures.
- Lire attentivement le mode d'emploi avant d'utiliser ce produit.
- L'acheteur et l'utilisateur de ce produit doivent se conformer aux lois du pays qui réglementent l'usage et la possession de répliques airsoft.
- Retirez la batterie du produit lorsque vous ne l'utilisez pas.

- Éteignez le chargeur lorsque les batteries sont complètement chargées.
- Risque d'incendie et de brûlures.

FR



警告

- 対象年齢18才以上。
- 弾を発射する際は、必ず安全なゴーグルを装着してください。
- 不用意に引き金を引くと非常に危険です。
- 50m以内は危険です。
- 取扱説明書は最後まで必ずお読み下さい。
- 購入者及び販売者は、エアガンの使用及び所有に関するすべての現地法律に準ずる。
- ゲームが終わりましたら、バッテリーをコネクターから取り外してください。

- 長い間保管していたバッテリーは、充電前にリフレッシュ充電を行ないましょう。充電器をオフにします。
- 高温を避け、湿度の低い場所に保管します。火災や火傷の危険があります。

JP

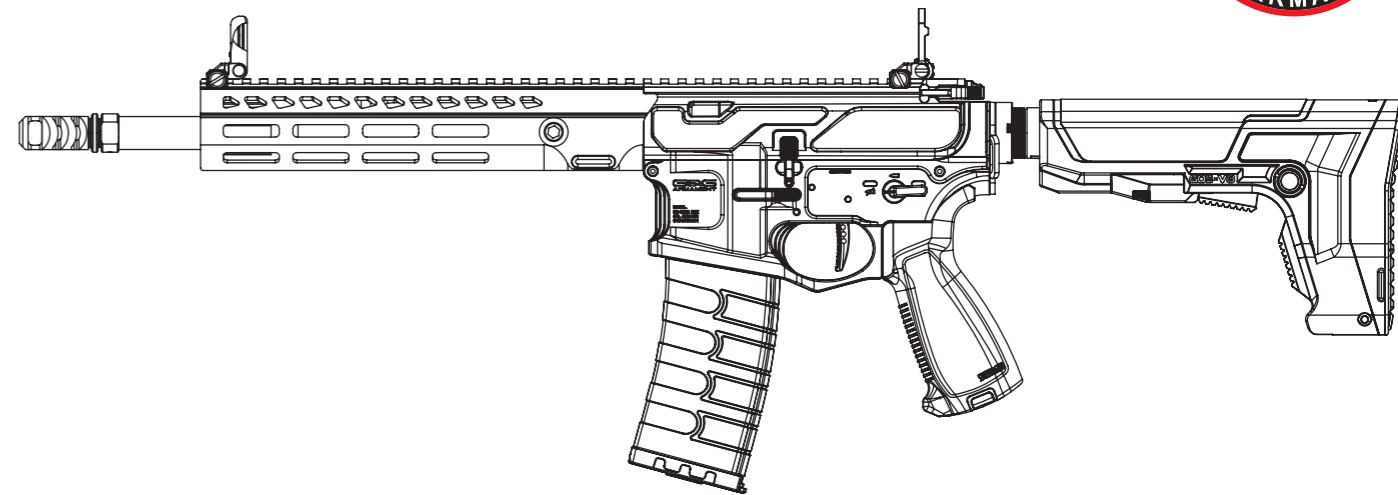


G&G ARMAMENT SINCE 1986

TAIWAN ChangHua (Head Quarter) Sales Dept. Technology Dept.

Tel : +886-4-798-9000 Fax : +886-4-798-9900 No.999, Zhonghua Rd. Shengang Township, Changhua County 50952, Taiwan (R.O.C.) sales@guay2.com, b2b@guay2.com pr@guay2.com support@guay2.com

G2-202211-01-多



SGR556

TW 說明書 | 01-08 EN Operating Instructions | 09-16 ES Instrucciones de operación | 17-24 FR Mode d'emploi | 25-32 JP 取扱説明書 | 33-40



G&G ARMAMENT SINCE 1986

[零件說明]



⚠ 注意事項

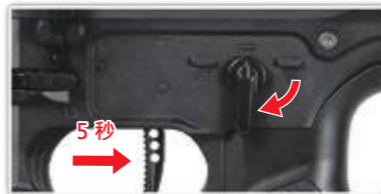
- 敬請搭配使用G&G生產之高精度BB彈，確保槍枝最佳性能。
- 請勿使用無品質保證之廉價BB彈，將導致槍枝不可預期之卡彈、故障、零件損壞。
- 只能使用100%純度矽油保養，使用其他種類保養油可能導致塑膠、橡膠零件腐蝕。
- 請勿自行改造本槍零件，任何不當改造將喪失保固權利，並有可能觸犯法令。
- 射擊前請務必戴上護目鏡。
- 本產品限18歲以上成年人使用。
- 請仔細閱讀本手冊確保正確操作。
- 50m射程以內具有一定的危險性。
- 電池容量過低時請停止射擊。

[設定電子扳機]



1. 進行設定前需確認彈匣裝上並有BB彈才能操作。
2. 扳機需在5秒內扣下，超過時間失效，需重新設定。
3. 進入設定非1/2/3/5/6的次數直接失敗跳出設定狀態。
4. 設定預上膛後，若長時間放置不使用時請恢復出廠設定釋放彈簧。

進入設定模式



在單發狀態下，扳機扣第一次5秒以上之後（會擊發一次），提示音三聲直至扳機釋放，進入設定模式。

進入設定模式後：

[恢復出廠設定]

扣扳機一次不放3秒後，持續提示音，解除所有的設定，直至扳機釋放。

[預上膛]

扣扳機兩次，最後一次不放3秒後，持續提示音，直至扳機釋放，執行預上膛模式。

[三發點放]

扣扳機三次，最後一次不放3秒後，持續提示音，直至扳機釋放，選擇鈕切至連發狀態，執行三發點放模式。

[五發點放]

扣扳機五次，最後一次不放3秒後，持續提示音，直至扳機釋放，選擇鈕切至連發狀態，執行五發點放模式。



[射擊模式] 未射擊前請開上保險。



關保險 - 槍枝無法擊發



半自動 - 單發射擊



全自動 - 連發射擊

[電池安裝&槍托調整] 請勿使用放電係數超過25C的鋰電池。



拉開槍托底蓋並掀開。



確實接上電池接頭。



壓下槍托調整鈕。

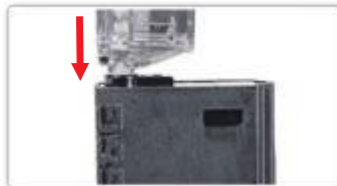


調整適合之槍托長度(可6段調整)。

[彈匣設置]




壓下彈匣釋放鈕即可卸下彈匣。



使用填彈器將BB彈填入彈匣。



裝入彈匣時確實聽到“喀”一聲。

 敬請搭配使用G&G生產之高精密度BB彈，確保槍枝最佳性能。請勿使用無品質保證之廉價BB彈，將導致槍枝不可預期之卡彈、故障、零件損壞。

[準星調整]



上掀或折疊。

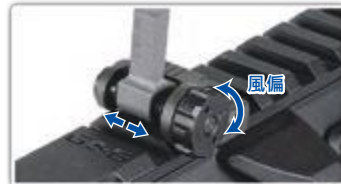


垂直調整鈕(上/下調整瞄孔)

[照門調整]



上掀或折疊。



風偏調整鈕(左/右調整照門)

[槍機拉柄&防塵蓋]



槍機拉柄往後拉開槍機防塵蓋。




按下按鈕槍機即可歸位。


[彈道調整]



旋轉調整上旋器的下壓及釋放功能。

 彈著偏高
(朝釋放方向調整彈道至最佳彈著點)

最佳彈著

 彈著偏低 (朝下壓方向調整彈道至最佳彈著點)

 請勿側面持槍射擊，避免BB彈左右偏離。



[槍管清潔]



1. 將通槍條纏妥清潔布料，滴上砂油數滴。

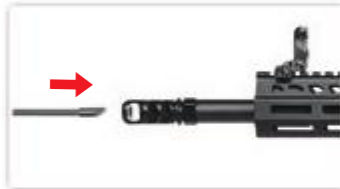


2. 將通槍條插入內管，旋轉通槍條帶出髒汙，重複以上步驟直到內管清潔。

[卡彈排除]



1. 壓下彈匣釋放鈕。
2. 卸下彈匣。



將上旋器撥回釋放位置，由槍管前端插入通槍條。



確認通槍條斜面朝下直插到底，移除堵塞BB彈。

[故障排除]



如齒輪發出尖銳聲響
請使用螺絲起子調整握把底部螺絲。



無作動
檢查馬達連接線(需卸下底板)。



無作動
檢查電池是否接妥，確認電池已經充飽。

[保養維護]



[故障排除]

項目	原因	解決方式
完全無作動	射擊選擇鈕置於保險位置。	轉到半自動或全自動位置。
	電池沒有充電。	更換電池。
	電池接頭脫落。	接好接頭。
	電池正負極接反。	確認正負極位置再插上。
	超過馬達壽命(約5-6萬發)或馬達線接觸不良。	更換馬達(可直接向當地經銷商或G&G購買)。檢修馬達線接頭。
馬達作動但無法擊發	BB彈堵塞在彈匣中。	使用通槍條清理彈匣，移除堵塞之BB彈。
	BB彈堵塞在內腔中。	使用通槍條移除堵塞之BB彈。
	齒輪毀損。	洽詢經銷商或G&G購買新齒輪替換。
無法全自動操作(自動射擊)	電力不足。	更換電池。
	彈匣上彈問題。	修復彈匣堵塞。
射程變短	接觸不良。	洽詢經銷商或G&G維修保養。
	內腔損壞或磨損。	更換零件(請向經銷商或G&G購買)。
	活塞總成損壞或磨損(O環, 活塞彈簧)。	
	內管堵塞。	使用通槍條清理內管。
	不適合的BB彈(太小或太重)。	使用G&G生產之高精度BB彈。
操作聲變大	沒有砂油。	在內腔加入些許砂油。
	過度頻繁的空發導致齒輪問題。	
	齒輪損壞或磨損。	洽詢經銷商或G&G維修保養，更換零件(齒輪...等)。
BB彈自槍管掉出	過度頻繁的空發導致齒輪問題。	
	內腔總成損壞或磨損。	
泡水槍	沒有設置Hop。	調整hop位置。
	不適合的BB彈(太小或太重)。	使用G&G生產之高精度BB彈。

項目	原因	顯示方式
指示燈(蜂鳴器)顯示說明	電量過低。	1.5秒閃爍(提示音)一次持續提醒。
	故障(馬達或齒輪卡住、低電壓、彈簧推不動)。	扣扳機時快速閃爍(提示音)持續3秒。
	齒輪定位異常。	扣扳機時閃爍(提示音)2次。

[免責聲明]

- ▶ 產品不一定包含照片中所有配件。
- ▶ 未成年人使用時一定要有成年人在旁監督。
- ▶ 買家及使用者必須完全遵守當地關於空氣槍的所有法律規定。
- ▶ 本操作手冊中所有產品僅為仿真造型，無任何真實武器功能性、設計意圖，亦不可與真實武器共同比照。
- ▶ 產品中所有G&G商標，均無接受任何真實武器、彈藥公司贊助、協助，亦無任何關連。
- ▶ 實際產品與照片有落差可能性。



【遙控器說明】

- | | | | |
|------|----------|----|--------|
| 全自動 | 扳機第一段 | 重置 | 關閉無彈斷電 |
| 半自動 | 扳機第二段 | 加 | 檢測維修 |
| 3發點放 | 扳機第三段 | 減 | 活塞位置設定 |
| 5發點放 | Function | | |



- 小心存放遙控器，並遠離水源。
- 如果遙控距離短於10cm或本機無功能時，請更換電池。
- 遙控器必須在射選鈕切至保險下才可操作。
- 在保險狀態下時，無線接收模組電源自動啟動。
- 超過1分鐘無任何操作，自動關閉無線接收模組電源。

【扳機設定】



更改扳機設置。
扳機設置-前：按下“扳機第一段”並等待一聲[嗶]聲音以完成設置。
扳機設置-中央：按下“扳機第二段”並等待兩聲[嗶·嗶]聲音以完成設置。
扳機設置-後：按下“扳機第三段”並等待三聲[嗶·嗶·嗶]聲以完成設置。

【點放設定】



將**全自動**切換為**3發點放**：
 ◆單連發選擇鈕切換至保險，然後按遙控器上的“3發點放”按鈕，等待3聲[嗶·嗶·嗶]聲音完成設置。
 將**全自動**切換為**5發點放**：
 ◆單連發選擇鈕切換至保險，然後按遙控器上的“5發點放”按鈕，並等待5聲[嗶·嗶·嗶·嗶·嗶]聲音完成設置。
 **如果設置不成功(沒有蜂鳴聲)，請將單連發選擇鈕切換至單發並重複上述步驟。

【兩段式扳機設定 - AUG 模式】



此設定在預上膛模式下無法開啟此功能。

在AUG模式下，短扣扳機射擊為單發，長扣扳機射擊為3發/5發/全自動射擊模式。

切換到AUG模式：
 ◆按遙控器上的“FUNCTION”按鈕，然後按“3發點放、5發點放或全自動”，然後等待[0.5秒長的嗶聲]完成設置。
 ◆恢復原本的射擊設置，請按“3發點放、5發點放或全自動”按鈕。這不會更改扳機AUG模式前的設置。

【無彈偵測設定】



按下“關閉無彈斷電”鍵後，[嗶]一聲表示斷電已關閉，[嗶·嗶]兩聲表示無彈斷電模式開啟。

- 當偵測到無BB彈而無法繼續擊發時，按壓一下後定釋放鈕之後，可重新繼續射擊。
- 完全無BB彈時，按壓一下後定釋放鈕，僅能空打一發。

【預上膛設定】



按“FUNCTION”後再按“活塞位置設定鍵”即可。ON：[嗶]一聲。OFF(系統預設)：[嗶·嗶]2聲。

【歸零模式】

**此模式必須在上下槍身分離/卸彈匣的狀態下才可設定，如非此狀態操作發生故障則無法維持產品保固。
 在單發模式下按住後定釋放鈕同時扣住扳機超過約5秒時間齒輪會先正常跑完一個單發行程後，再等待約5秒時間到，蜂鳴器發出提示音，齒輪開始“慢速轉動”，轉到齒輪定位時，就結束該模式狀態直接進入一般狀態或預上膛模式。

【自我診斷】



進入檢測維修模式：將槍切至保險位置，按遙控器“檢測維修”[嗶]一聲，直接進入工廠測試模式。

注意：當無法設定進入檢測維修模式時，代表“遙控器”或“保險位置”偵測異常，需返修。

退出檢測維修模式：

- ◆切至保險位置，按遙控器“檢測維修”直接退出檢測維修模式，[嗶·嗶]2聲，代表退出成功。
- ◆或從槍支中取出電池以退出檢測維修模式。

在檢測維修模式下，每個傳感器在正常運行時都會發出聲音。

- 扳機：**每種設置都會發出不同的聲音，共有3種設置和3種不同的聲音。
- 單連發選擇鈕：**單發位置時[嗶]一聲，連發位置時[嗶·嗶·嗶]3聲。
- 後定釋放鈕：**按壓[嗶]一聲。
- 齒輪感應器：**測試方式：感應器遮蔽時，蜂鳴器提示音持續鳴叫。感應器不遮蔽蜂鳴器就不反應。如遮蔽時蜂鳴器無提示音，代表該感應器故障。

**進入快速檢測模式前，一定要確認為無彈無匣狀態下，否則會導致判斷異常。

遙控器：先按“FUNCTION”後再按“檢測維修”即可。

切至單發模式下，扣下扳機，僅作一次完整的檢測流程。如無異常，[嗶·嗶·嗶]3聲代表正常，檢測之後恢復一般狀態。

如有異常，檢測流程中會發出如下的提示音：

拉槓偵測異常：擊發時，蜂鳴器提示音一長音一短音提示。

BB彈偵測異常：擊發之後，蜂鳴器提示音一長音二短音提示。

【新遙控器與槍枝配對】

進入設定模式^[詳2]，再扣扳機6次，最後一次不放3秒後，蜂鳴器發出連續提示音後釋放扳機並按下遙控器上的“重置”鍵，直至槍枝蜂鳴器[嗶·嗶]兩聲，完成配對。

注意：在15秒內如無按遙控器“重置”鍵，當次設定即為失效，會[嗶]提示一聲退出。

【恢復出廠設置】



通過按“Function”按鈕，然後按“重置”按鈕，等待3聲[嗶·嗶·嗶]後完成恢復出廠默認設置。



齒輪正常位置示意



扳機設定預視

[COMPONENTS]



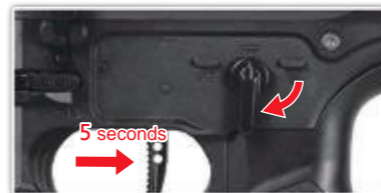
⚠ WARNING

- We recommend using G&G Armament high precision BB's on all G&G Armament guns to ensure proper feeding and performance.
- Using low quality BB's may jammed the gun and cause malfunction or damage the internal parts.
- For maintenance, apply the silicon oil on air nozzle, do not use other types of corrosive oil.
- Do not adjust the motor without authorization or by a certified technician.
- Always wear safety goggles when using this product.
- Product is intended for adults 18 years and older.
- Read this entire manual to ensure proper usage.
- May be hazardous up to 50 meters.
- Stop shooting when the battery power is low.

[MOSFET SETTING]

1. Before program the MOSFET, magazine must be loaded with BBs and installed into the gun.
2. After entering the program mode, setting must be completed within 5 seconds, or the system will exist the program.
3. Entering wrong command will exist the program.
4. If not in use and pre-cocking is on, reset the MOSFET back to default setting to release the main spring.

ENTER PROGRAM MODE



Switch to semi-auto, hold trigger down for 5 seconds (NOTE: this will fire one shot), [BEEP] 3 times then release the trigger to enter the program mode.

After entered program mode:

[Default Setting]

Hold trigger down for 3 seconds, continue [BEEP] sound until the trigger released to complete the program.

[Pre-cocking]

Pull trigger twice and hold the trigger on the second pull for 3 seconds, continue [BEEP] until trigger released to complete program.

[3-Round Burst]

Pull trigger three times and hold the trigger on the third pull for 3 seconds, continue [BEEP] until trigger released to complete program. Now full-auto has been programmed to 3-round burst mode.

[5-Round Burst]

Pull trigger five times and hold the trigger on the fifth pull for 3 seconds, continue [BEEP] until trigger released to complete program. Now full-auto has been programmed to 5-round burst mode.



[FIRING MODE & SAFETY] ⚠️ Always keep the safety on if not ready to shoot.



Safety On - The gun will not fire.



Semi Auto - Single shot.



Full Auto - Automatic firing.

[INSTALLING THE BATTERY & STOCK ADJUSTMENT] ⚠️ Do not use batteries with discharge rate above 25C.



Push the butt plate lock (both side).



Connect battery until it clicks into place.



Press the stock release lever to unlock.



Adjust the position (6 positions).

[SETTING MAGAZINE]



Press the magazine catch button on either sides of the receiver to release the magazine.



Use BB loader to fill up the magazine.



Insert the magazine into the airsoft gun until it clicks into place.

⚠️ It is strongly recommended to use G&G Armament high precision BB's only. Using low quality BB pellets will shorten product life and void product warranty.

[FRONT SIGHT ADJUSTMENT]



Flip down or up.



Elevation knob (up / down adjustment)

[REAR SIGHT ADJUSTMENT]



Flip down or up.



Windage knob (left / right adjustment)

[CHARGING HANDLE & EJECT PORT COVER]



Pulling the charging handle will take the bolt back and open the port cover.



Press the Bolt release lever to release the Bolt catch.

[HOP-UP ADJUSTMENT]



Adjust Hop-up by rotating the Hop-up adjustment knob.

⊗ Too much Hop-up. (Turn the adjust lever toward Normal)

⚠️ Never hold the gun sideways as the BB pellets will curve right or left.

Best Position.

⊗ Not enough Hop-up. (Turn the adjust lever toward Hop)

[CLEANING THE BARREL]



1. Place a few drops of silicone oil or teflon oil on the cleaning cloth and wind around the rod.



2. Insert the cleaning rod into the inner barrel, turning the rod as you insert. Repeat same steps until barrel is clean.

[UNJAM]



Remove the magazine.



Return the hop up dial to normal position and insert the cleaning rod from the lead edge of the inner barrel.



Be sure to have the rod facing down and reaching to the end. Remove clogged pellets.

[TROUBLESHOOTING]



Adjust screw when the gear noise becomes shrilly. Use a screwdriver to adjust the screw at the bottom of the grip.



No operation. Check the wire set contact on the motor.



No operation. Make sure the battery is fully charged.

[MAINTENANCE]



- ▶ Make sure no dirt gets into the chamber to avoid clogging of pellets.
- ▶ Hop-up may be unstable for 200 to 300 rounds after using silicone oil. This is the normal operation of the gun.
- ▶ Never use CRC-556, WD40, or other corrosive lubricants.

[TROUBLESHOOTING]

SYMPTOM	POTENTIAL	CORRECTIVE
No operation at all	Selector lever is set to safety.	Set the selector lever to Semi or Full Auto.
	Battery is not charged.	Charge the battery.
	Battery connector is disconnected.	Connect the connector.
	The ⊕ and ⊖ of battery connector is reversed.	Switch the batteries to the correct position.
	Expired motor life (50,000 to 60,000 rounds) or poor electrical connection.	Replace the dead motor (can be purchased from local dealer or directly from G&G). Check and repair the contacts.
Although motor is revolving, no pellet can be fired	Pellets are clogged inside the magazine.	Insert the charging rod into the magazine and move up and down a few times to remove clogged pellets.
	Pellets are clogged in the chamber.	Remove clogged pellets using the cleaning rod.
	Faulty gear.	Purchase the replacement gear from your dealer or G&G and repair.
Impossible full-auto operation (automatic firing)	Insufficient battery power.	Charge the battery.
	Faulty pellet feed of magazine.	Repair clogging of the magazine.
	Poor electrical connection.	Consult your dealer or G&G for overhaul maintenance or repair.
Shooting distance becomes shorter	Damaged or worn chamber set.	Replace the replacement parts (purchase from your dealer or G&G)
	Damaged or worn piston set (O-ring, piston spring)	
	Something is jammed in the inner barrel	Use the cleaning rod and clean the inner barrel.
	Faulty BB pellets (too small or heavy)	Use G&G Armament high precision BB's.
	Shortage of silicone oil	Place a few drops of silicone oil onto the upper chamber.
Too loud operating noise	Gear problem caused by too many blank firing	Consult your dealer or G&G for overhaul maintenance, part replacement (gear, etc.) or repair.
	Worn or damaged gear	
Pellets being fallen out from barrel end	Gear problem caused by too many blank firing	Turn the hop adjustment lever toward Hop.
	Damaged or worn chamber set.	
	No hop setting.	
If gun gets wet	Faulty BB Pellets (too small or heavy)	Use G&G Armament high precision BB's.
	Stop operation immediately, disconnect the battery, wipe off water from inside the main body and the battery. After the gun is completely dry, carry out trial firing. If the unit is not operational, please contact your local dealer for repair.	

SYMPTOM	POTENTIAL	DISPLAY METHOD
MOSFET LED/Buzzer Indication list	Low battery power.	one warning sound and flash per 1.5 seconds.
	Malfunction (Motor or Gears are jammed, low battery power, unable to pull the main spring)	Continue warning sound and flash for 3 seconds when trigger pulled.
	Sector gear incorrect position.	Warning sound and flash twice when trigger pulled.

[DISCLAIMER]

- ▶ Accessories in the pictures are not always included with product.
- ▶ Adult supervision required for users under 18 years of age.
- ▶ The purchaser and user should conform to all laws governing the ownership of airsoft guns.
- ▶ All products in this manual are imitation firearms and are not intended nor represented to be comparable in design, appearance, or function to any actual firearm offered by other manufacturers.
- ▶ Product names are trademarks of G&G, which has no affiliation to, and is not associated, or sponsored by any manufacturer of actual or imitation firearms.
- ▶ Products may vary from those pictured.



[REMOTE CONTROLLER]

- Full Auto**
- Semi-Auto**
- 3-Round Burst**
- 5-Round Burst**
- TRI 1**
- TRI 2**
- TRI 3**
- Reset**
- Page Up**
- Page Down**
- Function**
- Power cut-off feature**
- Self-Diagnostic**
- Pre-cocking**



- Carefully store the controller and keep away from water.
- Change battery if the remote distance is shorter than 10cm or no functions from the unit.
- Safety must be ON before operating with remote controller.
- Wireless module will activate automatically when selector is switched to ON position.
- Wireless module will go into sleep mode after 1 minute without any operation.



Trigger Setting View

[TRIGGER SETTING]



Change the trigger setting.

Trigger Setting - Front: Press "TRI 1" and wait for one [Beep] sound to complete the setting.

Trigger Setting - Center: Press "TRI 2" and wait for two [Beep, Beep] sounds to complete the setting.

Trigger Setting - Back: Press "TRI 3" and wait for three [Beep, Beep, Beep] sounds to complete the setting.

[BURST SETTING]



Switch Full Auto to 3-Round burst:

◆ Switch to safety then press [3-Round Burst] key, wait for 3 beeps and setting is now completed.

Switch Full Auto to 5-Round burst:

◆ Switch to safety then press [5-Round Burst] key, wait for 5 beeps and setting is now completed.

**If the setting was not successful (no Beep sounds), switch selector lever to Semi-Auto and repeat the above steps.

[BURST SETTING - AUG MODE]



This setting can't be selected under [Pre-cocking] mode.

In AUG mode, Short trigger pull fires single round and long trigger pull fires 3-round / 5-round / full auto burst rounds.

Switch to AUG mode :

◆ Press "FUNCTION" button on the controller, then press "3-Round, 5-Round or Full Auto" button for choosing the burst mode, and wait for [0.5 seconds long Beep] to complete the setting.

◆ To reset to default burst mode, press [3-Round Burst], [5-Round Burst] or [Full Auto] key, but this will not change previous trigger setting.

[POWER CUT-OFF SETTING]



Press [Power cut-off] key to turn ON or OFF, beep once means this feature has been turned off and beep twice means this feature has been turned on.

- Press bolt catch button to resume fire when power cut-off feature activated.
- Press bolt catch button to resume fire can only fire 1 round if there is no more BBs in the magazine or chamber.

[PRE-COCKING SETTING]

Press [Function] key then [Pre-cocking] key to activate pre-cocking feature.

Beep once means this feature has been turned on and beep twice means this feature has been turned off.

[RESET SECTOR GEAR]

**Upper receiver must be separated from the lower receiver and magazine removed before reset sector gear. Warranty will not cover any damaged caused by incorrect operation.

After upper receiver is pivoted and separated from lower receiver, switch selector to semi-auto, then hold both trigger and bolt catch button for 5 seconds. If done correctly, the sector will complete one cycle then stop. Wait for another 5 seconds and MOSFET will emit a warning sound, then sector gear will cycle slowly into position to complete reset. Do not release trigger nor bolt catch before reset completed.



This picture shows the correct position of sector gear after rest.

[SELF-DIAGNOSTIC]

To enter self-diagnostic mode: press [Self-diagnostic] key on the controller and wait for the single [BEEP] as successfully programmed.

NOTE: If the gun can not be programmed to self-diagnostic, it means the controller or the safety on the gun is malfunction, please returns to your dealer or certified technician for repair.

To exist self-diagnostic mode:

◆ Switch selector lever to safety, then press [Self-diagnostic] key on the controller, wait for 2x [BEEP] as successfully exist self-diagnostic mode.

◆ Remove battery from the gun will also exist self-diagnostic mode.

In self-diagnostic mode, each sensor will emit different sound to signal normal operation.

- Trigger:** Pulling the trigger will emit different sound pitch for different trigger travel, total of 3 settings.
- Fire selector:** Switch selector lever to semi-auto will [BEEP] once, and switch to full-auto will [BEEP] 3 times.
- Press bolt release button will [BEEP] once.
- Turning sector gear will [BEEP] when teeth on the gear have been detected. In case when no [BEEP] sound emitted after turning the sector gear to a full cycle, return to your dealer or certified technician for repair or replace the ETU module.

**Before entering Quick diagnostic mode, must make sure no BBs in the chamber and magazine removed, or diagnostic will fail.

By controller: press [Function] then press [Self-diagnostic] key to enter. Switch selector lever to Semi-Auto then pull the trigger once to run a full diagnostic. [BEEP] 3 times after the diagnostic has been completed.

Warning sound list:

Tappet plate sensor malfunction: after trigger pulled, one long and one short [BEEP].

BB sensor malfunction: after trigger pulled, one long and two short [BEEP].

[PAIRING REMOTE CONTROLLER]

To pair your gun to a controller: Enter programming mode (page.10), then pull the trigger 6 times, hold the last pull for 3 seconds, continue [BEEP] means it is now in the pairing mode, then press [Reset] key on the controller, wait for the [BEEP] twice as successfully paired.

NOTE: [Reset] key must be pressed within 15 seconds in pairing mode, over-time will exist the program.

[DEFAULT SETTING]

Press [Function] then [Reset] key, [BEEP] 3 times as successfully programmed to factory default setting.



[COMPONENTES]



⚠ ATENCIÓN

- Balines de alta precisión de G&G recomendados para todas las réplicas.
- Usando balines de baja calidad puede causar atascos en la réplica, mal funcionamiento o daños en las partes internas.
- Use solo 100% aceite de silicona para mantenimiento, otros aceites pueden contener ingredientes corrosivos que pueden causar daños a los componentes de goma y plástico.
- No ajuste el motor sin autorización de un técnico certificado.
- Siempre use gafas de protección cuando use la réplica.
- Este producto está diseñado para personas de 18 años en adelante.
- Lea todas las instrucciones antes de usar este producto.
- Puede ser dañino a 50 metros.
- Deje de disparar cuando la batería tenga poca carga.

[AJUSTES DEL MOSFET]



1. Antes de programar el MOSFET, el cargador debe cargarse con BB e instalarse en la réplica.
2. Después de ingresar al modo de programa, la configuración debe completarse en 5 segundos o el sistema existirá el programa.
3. Ingresando un comando incorrecto existirá el programa.
4. If not in use and pre-cocking is on, reset the MOSFET back to default setting to release the main spring.

ENTER PROGRAM MODE



Cambie a semiautomático, mantenga presionado el gatillo durante 5 segundos (NOTA: esto disparará un disparo), [PITIDO] 3 veces y luego suelte el gatillo para entrar en el modo de programa.

Después de entrar al modo de programa:

[Configuración original de fábrica]

Mantenga presionado el gatillo durante 3 segundos, continúe con el sonido [BEEP] hasta que se suelte el gatillo para completar el programa.

[Pre-amartillado]

Apriete el gatillo dos veces y mantenga presionado el gatillo en el segundo tirón durante 3 segundos, continúe [BEEP] hasta que suelte el gatillo para completar el programa.

[Ráfaga de 3 rondas]

Apriete el gatillo tres veces y mantenga presionado el gatillo en el tercer tirón durante 3 segundos, continúe [BEEP] hasta que se suelte el gatillo para completar programa. Ahora el modo automático es con ráfaga de 3 rondas.

[Ráfaga de 5 rondas]

Apriete el gatillo cinco veces y mantenga presionado el gatillo en el quinto tirón durante 3 segundos, continúe [BEEP] hasta que se suelte el gatillo para completar programa. Ahora el modo automático es con ráfaga de 3 rondas.



[MODOS DISPAROS Y SEGURO]

⚠ Siempre coloque en modo seguro si no está listo para disparar.



Modo seguro - La réplica no dispara



Semi Auto - Disparo sencillo



Automático - Disparo automático

[INSTALANDO LA BATERÍA & AJUSTES DE CULATA]

⚠ No use baterías con velocidad de descargas sobre los 25C.



Presione el liberador de Cantonera (ambos lados).



Conecte la batería hasta escuchar un sonido "Click".



Presione el liberador para destrabar.

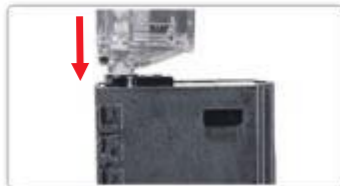


Ajuste la posición (6 posiciones).

[AJUSTES DE CARGADOR]



Presiones el botón liberador para sacar el cargador.



Empuje los balines dentro del cargador hasta llenarlo.



Inserte el cargador dentro del receptor hasta que escuche un sonido "Click"

⚠ Es altamente recomendado el uso de balines de precisión de G&G solamente. Usando balines de baja calidad puede acortar la vida del producto y eliminar la garantía.

[AJUSTES DE MIRA DELANTERA]



Plegar y desplegar.



Perilla de elevación (Ajuste Arriba/Abajo)

[AJUSTES DE MIRA TRASERA]



Plegar y desplegar.



Perilla corta vientos (Ajuste Izq./Der.)

[MANIJA DE CARGA, TAPA DEL PUERTO DE EYECCIÓN]



Halando la manija de carga llevará el cerrojo atrás y abrirá la cubierta.



Rote la palanca para liberar el pestillo del cerrojo.

[AJUSTES MANIJA DE CARGA Y HOP-UP]



Ajuste Hop-up girando la perilla de ajuste Hop-up.

Dirección correcta.

⊗ Demasiado Hop-up. (Gire el ajuste a Normal)

⊗ No demasiado Hop-up. (Gire el ajuste a Hop)

⚠ Nunca dispare la réplica lateralmente. Los balines pueden curvar.



[LIMPIANDO EL CAÑÓN]



1. Coloque algunas gotas de aceite de Silicona o teflón en un paño limpio y sujete con la varilla.



2. Inserte la varilla de limpieza dentro del cañón girando la varilla cuando la introduzca. Repita estos pasos hasta que el cañón esté limpio.

[DESBLOQUEANDO]



Remueva el cargador.



Gire el dial de Hop-up a posición normal e inserte la varilla por la bocacha dentro del cañón.



Asegúrese de introducir la varilla con la parte segmentada hacia abajo. Remueva los balines atascados.

[SOLUCIÓN DE PROBLEMAS]



Ajuste el tornillo cuando los engranajes se tornen chillones.

Use un destornillador para ajustar el tornillo debajo de la empuñadura.



No funciona.

Revise los contactos del motor.



No funciona.

Asegúrese de que la batería tiene carga suficiente.

[MANTENIMIENTO]



- ▶ Asegúrese de que la recámara no esté sucia para evitar el atasco de balines.
- ▶ El Hop-up puede estar inestable por 200 o 300 rondas luego de usar el aceite de Silicona. Esto es normal en la operación de la réplica.
- ▶ Nunca use CRC*556, WD40 u otro lubricante corrosivo.

[SOLUCIÓN DE PROBLEMAS]

SÍNTOMA	PROBLEMA POTENCIAL	POSIBLE SOLUCIÓN
No funciona	El selector puede estar colocado en modo seguro.	Coloque el selector en Semi o en Automático.
	La batería no está cargada.	Cargue la batería.
	Los conectores están desconectados.	Ajuste los conectores.
A pesar de que el motor funciona, no se pueden disparar los balines	El \oplus y \ominus de la batería están mal conectados.	Coloque los conectores correctamente (Revise el fusible).
	Motor agotado (50,000 o 60,000 rondas) o pobre conexión eléctrica.	Reemplace el motor dañado (puede ser comprado en su distribuidor local o directamente en G&G. Revise y repare los contactos.
No opera el automático	Balines atascados en el cargador.	Inserte la varilla de carga dentro del cargador y mueva hacia arriba y abajo varias veces para remover los balines atascados.
	Balines atascados en la recámara.	Remueva los balines atascados usando la varilla de limpieza.
	Caja de engranajes defectuosa.	Compre el reemplazo del engranaje en su distribuidor local o en G&G y repare.
La distancia de disparo se hace corta	Insuficiente carga de batería.	Cargue la batería.
	Llenado incorrecto del cargador.	Repare el atasco del cargador.
	Pobre conexión eléctrica.	Consulte su distribuidor o a G&G para mantenimiento general o reparación.
Ruido de operación alto	Conjunto de recámara defectuoso o dañado.	Reemplace las partes (comprándolas en su distribuidor local o en G&G).
	Conjunto de Pistón dañado o defectuoso (Sellos, Spring)	
	Algo atascado en el cañón interior.	Use la varilla de limpieza y limpie el cañón interior.
Balines fallan y salen por el cañón	Balines defectuosos (muy pequeños o pesados)	Use balines genuinos G&G.
	Escasez de aceite de silicona.	Eche varias gotas de aceite de silicona por encima de la recámara.
	Problemas de la caja de engranajes por disparos en seco.	
Si la réplica se moja	Caja de engranajes dañada o defectuosa.	Consulte su distribuidor o a G&G para mantenimiento general, reemplazo de piezas (Engranajes, etc.) o reparación.
	Problemas en la caja de engranajes por muchos disparos en seco.	
	Conjunto de recámara dañada o defectuosa.	
Balines fallan y salen por el cañón	No ajuste del hop.	Gire el dial de ajuste del hop-up hacia Hop.
	Balines defectuosos (muy pequeños o pesados)	Use los balines G&G.
	Detenga la operación inmediatamente, desconecte la batería, seque todas las partes internas y la batería. Después de completar el secado, trate de disparar. Si la unidad no funciona por favor contacte su distribuidor local para reparación.	

SÍNTOMA	PROBLEMA POTENCIAL	MÉTODO DE VISUALIZACIÓN
Lista de indicaciones de MOSFET LED/Zumbador	Batería baja.	Un sonido de advertencia y parpadeo cada 1,5 segundos.
	Mal funcionamiento. (motor o engranaje atascado, poca potencia de la batería, pistón atascado)	Con el sonido de advertencia y parpadeo durante 3 segundos cuando se aprieta el gatillo.
	Posición incorrecta del engranaje.	Sonido de advertencia y parpadeo dos veces cuando se aprieta el gatillo.

[DESCARGO]

- ▶ Los accesorios en las fotos no siempre están incluidos con el producto.
- ▶ La supervisión de un adulto es requerida para usuarios menores de 18 años.
- ▶ El comprador y el usuario final deben obedecer todas las leyes y reglamentos locales acerca de la propiedad de réplicas de armas.
- ▶ Todos los productos en este manual son imitaciones de armas reales y no está representada a ser comparada en diseño, apariencia o funciones con ninguna arma actual ofrecida por otros fabricantes.
- ▶ Los nombres de los productos son marcas registradas de G&G, los cuales no tienen afiliación ni están asociados o patrocinados por ningún fabricante de imitaciones de armas.
- ▶ Productos pueden variar en la forma a los presentados en las fotos.



[CONTROL REMOTO]

- | | | | |
|---------------------------|----------------|------------------|-------------------------|
| Automático | TRI 1 | Reiniciar | Corte de energía |
| Semi-Automático | TRI 2 | Subir | Autodiagnóstico |
| Ráfaga de 3 rondas | TRI 3 | Bajar | Pre-armado |
| Ráfaga de 5 rondas | Función | | |



1. Guarde cuidadosamente el controlador y manténgalo alejado del agua.
2. Cambie la batería si la distancia de la señal es inferior a 10 cm o si la unidad no funciona.
3. La palanca selectora de tiro debe estar en **SEGURO** antes de operar con el control remoto.
4. El módulo inalámbrico se activará automáticamente cuando se cambie a la posición ON.
5. El módulo inalámbrico entrará en modo de suspensión después de 1 minuto sin ninguna operación.

[AJUSTES DE GATILLO]



Cambiar la configuración del gatillo.

Configuración del gatillo - Delantera: Presione "TRI 1" y espere un sonido [Beep] para completar la configuración.

Configuración del activador - Central: Presione "TRI 2" y espere dos sonidos [Beep, Beep] para completar la configuración.

Configuración del disparador - Trasera: Presione "TRI 3" y espere tres sonidos [Beep, Beep, Beep] para completar la configuración.

[CONFIGURACIÓN DE RÁFAGA]



Cambiar Automático a ráfaga de 3 rondas:

♦ Cambie la palanca selectora de tiro a "seguro", a continuación presione la tecla [Ráfaga de 3 rondas], espere 3 pitidos y la configuración estará completada.

Cambiar Automático a ráfaga de 5 rondas:

♦ Cambie la palanca selectora de tiro a "seguro", a continuación presione la tecla [Ráfaga de 5 rondas], espere 5 pitidos y la configuración estará completada.

**Si la configuración no fue exitosa (no suena pitido), cambie la palanca selectora a Semi-Auto y repita los pasos anteriores.

[CONFIGURACIÓN DE RÁFAGA - MODO AUG]



Esta configuración no se puede seleccionar en el modo [Pre-armado].

En el modo AUG, un disparo corto dispara una sola ronda y uno largo dispara 3 rondas / 5 rondas / automático.

Cambiar al modo AUG:

♦ Presione el botón "FUNCION" en el controlador, a continuación presione el botón "3-Rondas, 5-Rondas o Automático" para elegir el modo de ráfaga,

y espere [Sonido de 0,5 segundos de duración] para completar la configuración.

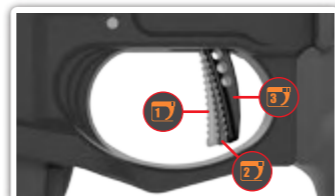
♦ Para restablecer el modo de ráfaga predeterminado, presione la tecla [Ráfaga de 3 rondas], [Ráfaga de 5 rondas] o [Automático], pero esto no cambiará la configuración de activación anterior.

[CONFIGURACIÓN DE CORTE DE ENERGÍA]



Presione la tecla [Corte de energía] para ENCENDER o APAGAR, un pitido significa que esta función se ha apagado y dos pitidos significa que esta función se ha encendido.

1. Presione el botón de bolt catch para reanudar el disparo cuando se active la función de corte de energía.
2. Presione el botón de bolt catch para reanudar el disparo. Solo puede disparar 1 ronda si no hay más BB en el cargador o la recámara.



Vista de configuración del gatillo

[CONFIGURACIÓN DE PRE-ARMADO]



Presione la tecla [Función] y luego la tecla [Pre-armado] para activar la función de pre-armado.

Un pitido significa que esta función se ha encendido y dos pitidos significa que esta función se ha apagado.

[REINICIAR ENGRANAJE DE SECTOR]

**El receptor superior debe estar separado del receptor inferior y el cargador retirado antes de restablecer el engranaje de sector. La garantía no cubrirá ningún daño causado por una operación incorrecta.

Después de separar el receptor superior del receptor inferior, cambie el selector a Semi-Automático, a continuación mantenga presionado el gatillo y el bolt catch durante 5 segundos. Si se hace correctamente, el sector completará un ciclo y luego se detendrá. Espere otros 5 segundos y el MOSFET emitirá un sonido de advertencia, después el engranaje de sector se moverá lentamente a su posición para completar el reinicio. No suelte el gatillo ni el bolt catch antes de que se complete el restablecimiento.

[AUTO-DIAGNÓSTICO]



Para entrar en modo de autodiagnóstico: presione la tecla [Autodiagnóstico] en el controlador y espere el [PITIDO].

NOTA: Si el arma no se puede programar para autodiagnóstico, significa que el controlador o el seguro del arma no funcionan correctamente, devuélvalo a su distribuidor o técnico certificado para su reparación.

Para salir del modo de autodiagnóstico:

- ♦ Cambie la palanca selectora a la posición segura, a continuación presione la tecla [Autodiagnóstico] en el controlador, espere 2 [PITIDOS] de confirmación.
- ♦ Desconectar la batería también saldrá del modo de autodiagnóstico.

En el modo de autodiagnóstico, cada sensor emitirá un sonido diferente para indicar el funcionamiento normal.

1. **Gatillo:** al apretar el gatillo se emitirá un tono de sonido diferente para diferentes recorridos del gatillo, un total de 3 configuraciones.
2. **Selector de tiro:** Cambiar la palanca selectora a semiautomático emitirá un [PITIDO], y cambiar a completamente automático tres [PITIDOS].
3. Presionar el bolt catch emitirá un [PITIDO].
4. El engranaje de sector emitirá un [PITIDO] cuando se detecten dientes en el engranaje. En caso de que no se emita ningún sonido [PITIDO] después de girar el engranaje de sector a un ciclo completo, regrese a su distribuidor o técnico certificado para reparar.

**Antes de entrar en el modo de diagnóstico rápido, debe asegurarse de que no queden BBs en la recámara y el cargador este totalmente desconectado, o el diagnóstico fallará.

Por controlador: presione [Función] y luego presione la tecla [Autodiagnóstico] para entrar en este modo. Cambie la palanca selectora a Semi-Automático y a continuación apriete el gatillo una vez para ejecutar un diagnóstico completo. Sonaran tres [PITIDOS] después de que se haya completado el diagnóstico.

Lista de sonidos de advertencia:

Mal funcionamiento del tappet plate: después de apretar el gatillo, un pitido largo y otro corto.

Mal funcionamiento del sensor BB: después de apretar el gatillo, un pitido largo y dos cortos.

[EMPAREJAMIENTO DEL MANDO A DISTANCIA]

Para emparejar su arma con un controlador: entre en modo de programación (página 10, 18, 26, 34), luego apriete el gatillo 6 veces, mantenga presionado el último durante 3 segundos, [PITIDO] continuo significa que ahora está en el modo de emparejamiento, luego presione la tecla [Reinicio] en el controlador, espere el [PITIDO] dos veces para confirmar el emparejamiento con éxito.

NOTA: La tecla [Reiniciar] debe presionarse antes de los 15 segundos en el modo de emparejamiento, o se saldrá del modo emparejamiento automáticamente.

[CONFIGURACION PREDETERMINADA]



Presione la tecla [Función] y luego [Reiniciar], tres [PITIDOS] indicaran se ha programado con éxito a la configuración predeterminada de fábrica.



Esta imagen muestra la posición correcta del engranaje de sector después del reinicio.





⚠ PRECAUTION

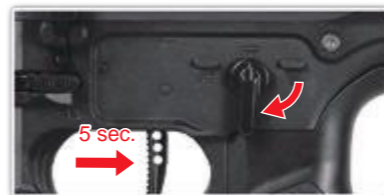
- Il est fortement recommandé d'utiliser uniquement des billes de précision G&G.
- L'utilisation de billes de mauvaise qualité peut entraîner un bourrage, un dysfonctionnement ou l'endommagement des pièces internes.
- Pour l'entretien, appliquez de l'huile de silicone sur le nozzle et n'utilisez pas d'autres types d'huile corrosive.
- Ne réglez pas le moteur sans autorisation ou sans l'aide d'un technicien certifié.
- Portez toujours des protections oculaires adaptées lorsque vous utilisez ce produit.
- Ce produit est réservé aux utilisateurs de 18 ans et plus.
- Lisez attentivement le mode d'emploi avant d'utiliser ce produit.
- Peut être dangereux jusqu'à 50 mètres.
- Arrêtez de tirer lorsque la batterie est faible.

[REGLAGE MOSFET]



1. Avant de programmer le MOSFET, le chargeur doit être rempli de billes et installé dans la réplique.
2. Après être entré dans le mode programme, le réglage doit être terminé dans les 5 secondes, sinon le système lancera le programme.
3. Si vous entrez une mauvaise commande, le programme existera.
4. S'il n'est pas utilisé et que le pré-chargeur est activé, réinitialisez le MOSFET au réglage par défaut pour libérer le ressort principal.

ENTER PROGRAM MODE



Passez en mode semi-auto, maintenez la queue de détente enfoncée pendant 5 secondes (REMARQUE : cela tirera un coup), signal sonore [BIP] 3 fois puis relâchez la queue de détente pour entrer dans le mode programme.

Après être entré en mode programme :

[Paramètres par défaut]

Maintenez la queue de détente enfoncée pendant 3 secondes, signal sonore [BIP] en continu jusqu'à ce que la queue de détente soit relâchée pour terminer le programme.

[Pré-chargeur]

Appuyez deux fois sur la queue de détente et maintenez enfoncé au deuxième coup pendant 3 secondes, signal sonore [BIP] en continu jusqu'à ce que la queue de détente soit relâchée pour terminer le programme.

[Rafale 3 coups]

Appuyez sur la queue de détente trois fois et maintenez enfoncé au troisième coup pendant 3 secondes, signal sonore [BIP] en continu jusqu'à ce que la queue de détente soit relâchée pour terminer le programme. Maintenant, le mode full-auto a été programmé en mode rafale 3 coups.

[Rafale 5 coups]

Appuyez sur la queue de détente cinq fois et maintenez enfoncé au cinquième coup pendant 3 secondes, signal sonore [BIP] en continu jusqu'à ce que la queue de détente soit relâchée pour terminer le programme. Maintenant, le mode full-auto a été programmé en mode rafale 5 coups.



[MODE DE TIR ET SECURITE]

⚠️ Toujours garder la sécurité active si vous n'êtes pas prêt à tirer.



Sécurité - Ne tire pas.



Semi Auto - Tir coup par coup.



Full Auto - Tir en rafale.

[INSTALLATION BATTERIE ET REGLAGE CROSSE]

⚠️ N'utilisez pas de batterie avec un taux de décharge supérieur à 25°C.



Appuyez sur les arrêtoirs de chaque côté pour retirer le talon de crosse.



Branchez la batterie.



Appuyez sur le levier d'ajustement de la crosse pour déverrouiller.

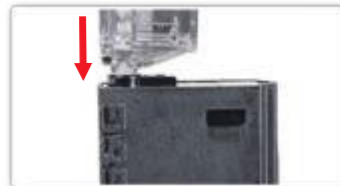


Réglez la crosse (6 positions).

[UTILISATION CHARGEUR]



Appuyez sur l'arrêtoir de chargeur pour libérer le chargeur.



Versez les billes dans le chargeur.



Insérez le chargeur dans la réplique jusqu'à ce qu'il s'enclenche.

⚠️ Il est fortement recommandé d'utiliser uniquement des billes G&G. L'utilisation de billes de mauvaise qualité peut raccourcir la durée de vie du produit et annuler la garantie.

[REGLAGE GUIDON]



Appuyez sur le bouton pour plier le guidon.



Élévation (réglage haut/bas)

[REGLAGE HAUSSE]



Abaissez ou relevez.



Dérive (réglage gauche/droite)

[LEVIER DE CHARGEMENT ET FENETRE D'EJECTION]



Tirer sur le levier de chargement va tirer la culasse en arrière et ouvrir le capot latéral.



Appuyez sur l'arrêtoir pour libérer la culasse.

[REGLAGE HOP-UP]



Réglez le hop-up en tournant la molette de réglage.

⊗ Trop de hop-up. (Tournez la molette vers Normal) ⚠️ Ne jamais tenir la réplique inclinée sinon la trajectoire des billes partira vers la droite ou la gauche.

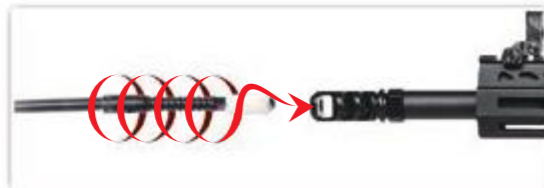
Position optimale.

⊗ Pas assez de hop-up. (tournez la molette vers Hop)

[NETTOYAGE CANON]



1. Versez quelques gouttes d'huile de silicone ou de téflon sur un morceau de tissu que vous accrocherez sur la tige de débouillage.



2. Insérez la tige de débouillage dans le canon et tournez en même temps. Répétez la même opération jusqu'à ce que le canon soit propre.

[DEBOURRAGE]



Retirez le chargeur.



Réglez la molette du hop-up à zéro sur la position Normal et insérez la tige de débouillage dans le canon.



Assurez-vous que l'extrémité de la tige soit orientée vers le bas et touche bien le fond du canon pour retirer toutes les billes.

[EN CAS DE PANNE]



Les gears sont trop bruyants

Utilisez un tournevis pour régler la vis située sur le talon de la poignée lorsque les gears sont trop bruyants.



Ne fonctionne pas

Vérifiez le branchement du moteur.



Ne fonctionne pas

Assurez-vous que la batterie soit chargée au maximum.

[ENTRETIEN]



- ▶ Assurez-vous qu'il n'y ait pas d'impuretés dans la chambre hop-up pour éviter un bourrage.
- ▶ Le hop-up peut être instable pendant 200 ou 300 coups après avoir utilisé l'huile de silicone. Ceci fait parti du fonctionnement normal de la réplique.
- ▶ Ne jamais utiliser les produits CRC-556, WD40 ou autres lubrifiants corrosifs.

[EN CAS DE PANNE]

SYMPTOME	CAUSE	SOLUTION
Ne fonctionne pas	Le levier est en mode de sécurité.	Positionnez le sélecteur de tir sur le mode Semi-auto.
	La batterie est déchargée.	Rechargez la batterie.
	La batterie est débranchée.	Rebranchez la batterie.
Le moteur tourne mais impossible de tirer	Les bornes de la batterie sont inversés.	Branchez les bornes correctement (vérifiez le fusible).
	Moteur en fin de vie (entre 50000 et 60000 billes) ou mauvais branchement électrique.	Remplacer le moteur en fin de vie (disponible chez votre revendeur local ou G&G directement). Vérifiez et réparez les branchements.
	Des billes sont coincées dans le chargeur.	Retirez les billes coincées en utilisant la tige de débouillage.
Impossible d'utiliser le mode full auto	Gears défectueux.	Achetez de nouveaux Gears chez votre revendeur local ou G&G directement.
	Batterie trop faible.	Rechargez la batterie.
	Billes défectueuses dans le chargeur.	Retirez les billes coincées dans le chargeur.
La portée de tir diminue	Mauvais branchement électrique.	Consultez votre revendeur local ou G&G directement pour un entretien complet ou une réparation.
	Chambre endommagée ou usée.	Remplacez les pièces (disponible chez votre revendeur local ou G&G directement).
	Ensemble piston endommagé ou usé (O-ring, ressort de piston).	Utilisez la tige de débouillage pour nettoyer le canon interne.
Fonctionnement trop bruyant	Quelque chose est coincé dans le canon interne.	Utilisez les billes de qualité supérieure G&G.
	Billes défectueuses (trop petites ou trop lourdes).	Vaporisez de l'huile de silicone sur la chambre.
	Pas assez d'huile de silicone.	
Les billes s'échappent par la bouche du canon	Problème de Gear à cause de tirs à blanc trop fréquent.	Contactez votre revendeur local ou G&G pour effectuer un entretien complet, une réparation ou un changement de pièces.
	Gears endommagés ou usés.	
	Problème de Gear à cause de tirs à blanc trop fréquent.	
Si la réplique est mouillée.	Ensemble de la chambre endommagé ou usé.	Réglez la molette du Hop-Up dans le sens horaire vers plus d'effet.
	Aucun réglage du Hop-Up effectué au préalable.	Utilisez les billes de qualité supérieure G&G.
	Billes défectueuses (trop petites ou trop lourdes).	
		Arrêtez immédiatement d'utiliser votre réplique, débranchez la batterie, essuyez l'eau restée dans le corps ainsi que la batterie. Après séchage complet, faites un essai de tir. Si la réplique ne fonctionne toujours pas, veuillez contacter votre revendeur pour réparation.

SYMPTOME	CAUSE	MÉTHODE D'AFFICHAGE
Liste des indications MOSFET LED / Buzzer	Batterie faible.	Un signal sonore et un flash toutes les 1,5 secondes.
	Dysfonctionnement. (moteur ou engrenage bloqué, batterie faible, piston bloqué)	Avertissement sonore en continu et clignotement pendant 3 secondes lorsque la queue de détente est enfoncée.
	Mauvaise position de l'engrenage.	Avertissement sonore et clignotement deux fois lorsque la queue de détente est enfoncée.

[RECLAMATION]

- ▶ Les accessoires sur les photos ne sont pas toujours inclus avec la réplique.
- ▶ La surveillance d'un adulte est obligatoire pour les utilisateurs de moins de 18 ans.
- ▶ L'acheteur et l'utilisateur doivent se conformer aux lois du pays concernant la possession d'une réplique airsoft
- ▶ Tous les produits dans ce mode d'emploi sont des imitations d'armes à feu et ne sont en aucun cas destinées ou représentées à être comparées par la conception, par l'apparence ou par le fonctionnement à toutes armes à feu produites par d'autres fabricants.
- ▶ Le nom des produits et les marques déposées G&G n'ont aucune affiliation et ne sont pas associés ou sponsorisés par aucun fabricant d'armes à feu ou d'imitations d'armes à feu.



[TÉLÉCOMMANDE]

Full Auto	TRI 1	Réinitialiser	Fonction de coupure de l'alimentation
Semi-Auto	TRI 2	Page vers le haut	Auto-diagnostic
Rafale 3 coups	TRI 3	Page vers le bas	Pré-chargement
Rafale 5 coups	Fn		

[RÉGLAGE DE DÉTENTE]

Modifier le réglage de la détente,

Réglage du la détente - Avant : appuyez sur "TRI 1" et attendez qu'un [bip] retentisse pour terminer le réglage.

Réglage du la détente - Central : appuyez sur "TRI 2" et attendez deux sons [Bip, Bip] pour terminer le réglage.

Réglage du la détente - Arrière : appuyez sur "TRI 3" et attendez trois sons [Bip, Bip, Bip] pour terminer le réglage.

[RÉGLAGE RAFALE]

Basculez Full Auto sur rafale 3 coups :

♦ Passez en sécurité puis appuyez sur la touche [Rafale 3 coups], attendez 3 bips et le réglage est maintenant terminé.

Basculez Full Auto sur rafale 5 coups :

♦ Passez en sécurité puis appuyez sur la touche [Rafale 5 coups], attendez 5 bips et le réglage est maintenant terminé.

****Si le réglage n'a pas réussi (aucun bip ne retentit), placez le sélecteur sur Semi-Auto et répétez les étapes ci-dessus.**

[RÉGLAGE RAFALE - MODE AUG]

En mode AUG, la détente courte tire un seul coup et la détente longue tire en rafale 3 coups / 5 coups / Full Auto.

Passer en mode AUG :

♦ Appuyez sur le bouton "FONCTION" sur la télécommande, puis appuyez sur le bouton "rafale 3 coups, 5 coups ou Full Auto" pour choisir le mode rafale, et attendez [0,5 seconde bip long] pour terminer le réglage.

♦ Pour réinitialiser le mode rafale par défaut, appuyez sur la touche [rafale 3 coups], [rafale 5 coups] ou [Full Auto], mais cela ne changera pas le réglage de détente précédent.

[RÉGLAGE DE COUPURE DE L'ALIMENTATION]

Appuyez sur la touche [Coupure de l'alimentation] pour allumer ou éteindre, un bip signifie que cette fonction a été désactivée et deux bips signifie que cette fonction a été activée.

1. Appuyez sur l'arrêteur de culasse pour reprendre le tir lorsque la fonction de coupure de l'alimentation est activée.
2. Appuyez sur l'arrêteur de culasse pour reprendre le tir ne peut tirer qu'un seul coup s'il n'y a plus de billes dans le chargeur ou dans la chambre.



1. Rangez soigneusement la télécommande et tenez-la à l'écart de l'eau.
2. Changez la pile si la distance de télécommande est inférieure à 10 cm ou si l'appareil ne fonctionne pas.
3. La sécurité doit être activée avant d'utiliser la télécommande.
4. Le module sans fil s'activera automatiquement lorsque le sélecteur est mis en position ON.
5. Le module sans fil passera en mode veille après 1 minute sans aucune opération.



Affichage des paramètres de détente.



Ce réglage ne peut pas être sélectionné en mode [Pré-chargement].

[RÉGLAGE DE PRÉ-CHARGEMENT]



Appuyez sur la touche [Fonction] puis sur la touche [Pré-chargement] pour activer la fonction de pré-chargement. Un bip signifie que cette fonction a été activée et deux bips signifie que cette fonction a été désactivée.

[RÉINITIALISER LE SECTOR GEAR]

****Le corps supérieur doit être séparé du corps inférieur et le chargeur doit être retiré avant de réinitialiser le sector gear. La garantie ne couvrira pas les dommages causés par une opération incorrecte.**

Une fois que le corps supérieur a pivoté et séparé du corps inférieur, mettez le sélecteur sur semi-automatique, puis maintenez la détente et l'arrêteur de culasse enfoncés pendant 5 secondes. Si cela est fait correctement, le sector gear terminera un cycle puis s'arrêtera. Attendez encore 5 secondes et le MOSFET émettra un son d'avertissement, puis l'engrenage du secteur se mettra lentement en position pour terminer la réinitialisation. Ne relâchez pas la détente ni l'arrêteur de culasse avant la réinitialisation terminée.



This picture shows the correct position of sector gear after rest.

[AUTO-DIAGNOSTIC]



Pour entrer dans le mode auto-diagnostic : appuyez sur la touche [Auto-diagnostic] de la télécommande et attendez le [BIP] le programme est validé.

REMARQUE : Si la réplique ne peut pas être programmé en autodiagnostic, cela signifie que la télécommande ou la sécurité de la réplique est défectueuse, veuillez la retourner à votre revendeur ou à un technicien certifié pour réparation.

Pour sortir du mode auto-diagnostic :

- ♦ Mettez le sélecteur de tir en position de sécurité, puis appuyez sur la touche [Auto-diagnostic] de la télécommande, attendez 2x [BIP] la sortie du mode auto-diagnostic est validée.
- ♦ Retirer la batterie de la réplique sortira également du mode auto-diagnostic.

En mode auto-diagnostic, chaque capteur émettra un son différent pour signaler un fonctionnement normal.

1. **Détente :** appuyez sur la détente émettra un son différent pour différentes courses de détente, avec un total de 3 réglages.
2. **Sélecteur de tir :** placez le sélecteur de tir sur le mode semi-automatique [BIP] une fois et passez sur le mode full auto [BIP] 3 fois.
3. Appuyez une fois sur l'arrêteur de culasse [BIP] une fois.
4. Le fait de tourner le sector gear émet un [BIP] lorsque les dents sur le pignon ont été détectées. Si aucun son [BIP] n'est émis après avoir tourné le sector gear sur un cycle complet, retournez chez votre revendeur ou un technicien certifié pour réparer ou remplacer le module ETU.

****Avant d'entrer en mode de diagnostic rapide, assurez-vous qu'aucune bille dans la chambre et le chargeur n'a été retiré, sinon le diagnostic échouera.**

Avec la télécommande, appuyez sur [Fonction] puis appuyez sur la touche [Auto-diagnostic] pour entrer. Basculez le sélecteur de tir sur Semi-Auto, puis appuyez une fois sur la détente pour exécuter un diagnostic complet. [BIP] 3 fois après le diagnostic terminé.

Liste des sons d'avertissement :

Dysfonctionnement du capteur de tappet plate : après avoir appuyé sur la détente, un [BIP] long et un court.

Dysfonctionnement du capteur de billes : après avoir appuyé sur la détente, un [BIP] long et deux courts.

[APPAIRER LA TÉLÉCOMMANDE]

Pour appairer votre réplique à la télécommande, entrez dans le mode de programmation (page.26), puis appuyez sur la détente 6 fois, maintenez la dernière pression pendant 3 secondes, un [BIP] continu signifie qu'il est maintenant en mode d'appairage. Appuyez sur la touche [Réinitialiser] de la télécommande et attendez que le [BIP] sonne deux fois pour valider l'appairage.

REMARQUE : La touche [Réinitialiser] doit être enfoncée dans les 15 secondes en mode d'appairage, après un certain temps, le programme existera.

[RÉGLAGES PAR DÉFAUT]



Appuyez sur [Fonction] puis sur la touche [Réinitialiser], vous entendrez 3 [BIP] pour indiquer que le programme est revenu au réglage d'usine par défaut.



【構成要素】



⚠ 警告

- 不完全なBB弾の使用は、銃の弾詰まり、故障、内部部品の損傷を引き起こす原因になる場合があります。
- オイルによっては腐食性成分を含んでいる為、プラスチックとゴム製品に損傷を引き起こす可能性がありますので、メンテナンスの際は、100%シリコンオイルのみをお使いください。
- すべてのG&Gエアソフトガンには、G&Gの高精度BB弾を推奨します。
- この製品をご使用になるときは、常時安全なゴーグルを装着してください。
- この製品は、18才以上のユーザーを対象とします。
- この製品をご使用になる前に、取扱説明書を全部お読みください。
- 本製品はBB弾を50m以上先まで到達させる能力がありますので、ご注意ください。
- バッテリーのパワーが低いときは、撃つのを止めてください。

【MOSFET バーストの設定】

1. 設定時は、リモコンにてパワーカット機能オフ（空撃ちモード）状態にする必要があります。
2. プログラムモードに入ったら5秒以内に設定を開始してください。
3. トリガー入力为正しく行われない場合、設定は完了されません。
4. 完了後は通常モードに戻り、再設定する際は、その都度プログラムモードに入る必要があります。

ENTER PROGRAM MODE



セレクターをセーフティに入れ、リモコンの[パワーカット機能オフ(空撃ちモード)]ボタンを押し空撃ちモードに切り替えます「ピッ」その後、セミオートでトリガーを5秒間引き、音が鳴ったらプログラムモードに入ります「ピッピッピッ」。

プログラムモード（設定中本体は作動せず、空撃ちも出来ません）

【デフォルト設定：トリガー1回】

トリガーを3秒間引き続け、音が鳴ったら設定完了「ピー」。

プリコック設定は解除されますが、ピストンは後退したままです。
ピストンを前進させるには解除後、1発発射する必要があります。

【プリコッキング：トリガー2回】

2回目で3秒間引き続け、音が鳴ったら設定完了「ピー」。

【3連バースト：トリガー3回】

3回目で3秒間引き続け、音がなったら設定完了「ピー」。

【5連バースト：トリガー5回】

5回目で3秒間引き続け、音がなったら設定完了「ピー」。



[発射モード & セーフティ] ⚠️ 撃たないときは、常にセーフティにしてください。



セーフティオン - 発射できません



セミオート - 単発



フルオート - 連発

[バッテリー挿入 & ストック調整] ⚠️ 25C を上回る放電率のバッテリーを使わないでください。



プレートロックを引いてください。



バッテリー端子をカチンというまで差し込んでください。



ストックリリースボタンを押して解除してください。



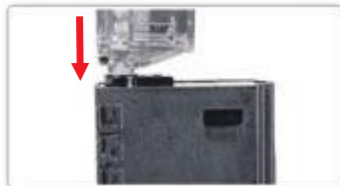
位置を調整してください。(6段階)

[マガジン装着]

⚠️ G&G BB弾だけを使うことを強くお勧めします。低品質のBB弾を使うと、製品寿命を短くし、製品保証も無効になります。



マガジンをリリースするために、レシーバーの両側にあるマガジンキャッチボタンを押してください。



別売りのBBローダーに、G&G BB弾を入れます。



マガジンをエアソフトガンにカチンというまで、装入してください。

! マガジン装着後は、その都度ボルトリリースレバーを押すことで、発射可能となります。
 ** マガジンを抜いた状態でもボルトリリースレバーを1回押すことで、1発発射可能となりますのでご注意ください。
 ** マガジンを抜いた状態でもボルトリリースレバーを押し続けることで、セミ・フル発射可能となりますので、ご注意ください。

[フロントサイト調整]



サイドボタンを押し、フロントサイトをたたくみます。

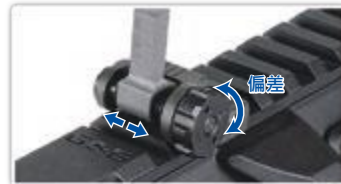


仰角つまみ(上/下調整)

[リアサイト調整]



リアサイトを上下に動かしてください。



偏差つまみ(左/右調整)

[チャージングハンドル & エジェクションポートカバーを閉める方法]



チャージングハンドルを引いて、ポートカバーを開きます。



ボルトリリースレバーを押して、ボルトキャッチを解放します。

[ホップアップ調整]



ホップアップ調整ノブを回してホップアップを調整します。

⊗ ホップアップのかけ過ぎ。(ノーマル方向に回してください)

ベストポジション

⊗ ホップアップの不足。(ホップ方向に回してください)

⚠️ BB弾が左右に曲がらないようにエアソフトガンを横向きに保持しないでください。



[バレルクリーニング]



1. 数滴のシリコンオイルまたは、テフロンオイルを布に付けて、ロッドに巻きつけてください。



2. クリーニングロッドをインナーバレルに挿入して、ロッドを回してください。バレルがきれいになるまで、同じことを繰り返してください。

[弾詰まり]



マガジンを外してください。



ホップアップダイヤルをノーマルの位置に戻して、インナーバレル先端部から、クリーニングロッドを挿入してください。



必ずロッドを下方方向に向けて、奥まで延ばしてください。詰まったBB弾を取り除いてください。

[トラブルシューティング]



モーター音が気になる際は、グリップ底部のネジで、モーター位置調整を行います。



動かなくなった場合は、モーターピンが正しく接続されているか、チェックしてください。



動かなくなった場合は、バッテリーが完全に接続されているか確認してください。

[メンテナンス]



- ▶ 弾詰まりが起きないようにチャンバーにほこりなどが入らないように注意してください。
- ▶ シリコンオイルを使った後に、ホップアップは、200~300発不安定である場合があります。これは、エアソフトガンの通常の作動です。
- ▶ CRC-556、WD40または他の腐食性潤滑油を決して使わないでください。

[トラブルシューティング]

銃の状態	可能性	対処方法
全く動かない	セレクターレバーがセーフティになっている。	セレクターレバーをセミアウトかフルアウトにする。
	バッテリーが充電されていない。	バッテリーを充電する。
	バッテリーのコネクターが外れている。	コネクターをつなぐ。
	バッテリーのコネクターが ⊕ と ⊖ が逆になっている。	バッテリーを正しい位置に切り替える。
モーターが回転しているが、BB弾が発射できない	モーターの寿命 (50,000~60,000発)、または、接点不良。	古くなったモーターを交換する。(購入した販売店かG&Gサポートで購入) チェックして修理する。
	マガジン内にBB弾が引っかかっている。	チャージング・ロッドをマガジンに挿入して、数回上下に動かしてつまったBB弾を除去する。
	チャンバー内にBB弾が詰まっている。	クリーニング・ロッドを使って、つまったBB弾を除去する。
フルオート射撃ができない(連射)	ギアトラブル。	交換するギアを購入した販売店かG&Gサポートから購入して、修理する。
	バッテリーのパワー不足。	バッテリーを充電する。
飛距離が短くなった	マガジンの供給不良。	マガジンのつまりを直す。
	電気接続不良。	オーバーホール・メンテナンスが修理のために購入した販売店かG&Gサポートに相談する。
	チャンバーの損傷が摩耗。	交換部品を購入する。(購入した販売店かG&Gサポートから購入)
	ピストンの損傷が摩耗。(O-リング、ピストン・スプリング)	交換部品を購入する。(購入した販売店かG&Gサポートから購入)
作動音が異常になった	インナーバレルに何かがつまんだ。	クリーニング・ロッドを使って、インナーバレルをきれいにする。
	BB弾の不良。(小さいか重い)	精密度のG&GBB弾を使う。
	シリコンオイルの不足。	チャンバーの上部に数滴のシリコンオイルを塗布する。
	空撃ちのしすぎによるギアトラブル。	
銃口からBB弾がこぼれる	ギアの損傷が摩耗。	オーバーホール、メンテナンス、部品交換(ギアなど)または修理のために購入した販売店またはG&Gに相談してください。
	空撃ちのしすぎによるギアトラブル。	
	チャンバーの損傷が摩耗。	
銃を濡らした	ホップがかかっている。	ホップ調整レバーをホップ方向に廻す。
	BB弾の不良。(小さいか重い)	G&GBB弾を使う。
		すぐに作動を止めて、バッテリーを外して、本体内とバッテリーの中から、水分をふき取る。銃が完全に乾いたあとに試射をする。作動ができなければ、修理のために購入した販売店に連絡する。

状態	可能性	表示方法
警告灯(音)表示/ビープ機能	バッテリー残量が少ない。	1.5秒ごとに1回の警告音と点滅。
	誤作動。(モーターまたはギアの異常、ピストンの異常)	トリガーを引くと、警告音が鳴り続け、3秒間点滅します。
	セクターギアの位置ずれ。	トリガーを引くと警告音が鳴り、2回点滅します。

[免責]

- ▶ 写真の中のアクセサリが製品に必ずしも含まれるわけではありません。
- ▶ 18才未満のユーザーには、大人の監督下での利用を要求します。
- ▶ 購入者と使用者は、エアソフトガンの所有を定めているすべての法律に従わなければなりません。

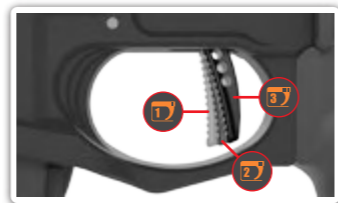
- ▶ このマニュアルの中のすべての製品は、イミテーション銃で、他メーカーの銃にも、実際の銃にもデザイン、外見、機能面で意図もなく相当するものではありません。
- ▶ 製品名はG&Gの商標であり、実銃であるか模造銃であるかを含め、あらゆるメーカーとの関係はありません。
- ▶ 実際の製品は、画像と異なる場合があります。



【リモコンの説明】

フルオート	トリガー第1段階	リセット	パワーカット機能オフ (空撃ちモード)
セミオート	トリガー第2段階	プラス	診断
3点バースト	トリガー第3段階	マイナス	プリコッキング設定
5点バースト	ファンクション		

- ▲** 1. リモコンの保管にご注意ください、水から遠ざけるようにしてください。
2. リモコンを使用できる距離が10cm以下、または機能しない場合は電池を交換してください。
3. リモコン操作をする為には、毎回セレクターをセーフティに入れる必要があります。
4. セーフティ状態では、無線受信モジュールの電源は自動でONになります。
5. 1分以上操作しなかった場合は、無線受信モジュールの電源は自動でOFFになります。



トリガーの設定プレビュー

【トリガーの設定】

トリガー位置の変更(セレクターをセーフティに入れます)

トリガー設定 - 第1段階[TRI 1]を押し、音が1回鳴ったら設定完了「ビッ」。

トリガー設定 - 第2段階[TRI 2]を押し、音が2回鳴ったら設定完了「ビッビッ」。

トリガー設定 - 第3段階[TRI 3]を押し、音が3回鳴ったら設定完了「ビッビッビッ」。

【バーストの設定】

フルオート⇒3連バースト(セレクターをセーフティに入れます):リモコンの[3連バースト]ボタンを押し、音が3回鳴ったら設定完了[ビッビッビッ]。

フルオート⇒5連バースト(セレクターをセーフティに入れます):リモコンの[5連バースト]ボタンを押し、音が5回鳴ったら設定完了[ビッビッビッビッビッ]。

フルオート⇒セミオート(セレクターをセーフティに入れます):リモコンの[SEMI]ボタンを押し、音が1回鳴ったら設定完了[ビッ]。(フルオートポジションが単発発射となります)

フルオート⇒フルオート(セレクターをセーフティに入れます):リモコンの[AUTO]を押し、音が1回鳴ったら設定完了「ビッ」。

****設定が完了しない(ビープ音が鳴らない)場合は、単発連射選択ボタンを単発に切り替えてから上述の手順を繰り返して行ってください。**

【2段式トリガーの設定-(AUGモード)】

フルオート⇒AUGモードへ(セレクターをセーフティに入れます): (AUGモードでは、トリガー浅引きでセミオート、深引きで3連/5連/フルのいずれかを選択可能)

リモコンの[Fn]ボタンを押し「ビッ」、続けて3連/5連/フルのいずれかを押し「ピーツ」。

AUGモードの解除(セレクターをセーフティに入れます):
リモコンの[3連]/[5連]/[AUTO]のいずれかのボタンを選択し押し。

****AUGモードでは、トリガー設定が反映されません。**

【パワーカット機能オフ(空撃ちモード)】

残弾及びマガジン検知機能を解除する(セレクターをセーフティに入れます): リモコンの[パワーカット機能オフ(空撃ちモード)]ボタンを押し、音が1回鳴ったら設定完了「ビッ」。(残弾及びマガジン検知機能によるパワーカット機能がオフとなり、空撃ちが可能となります)

残弾及びマガジン検知機能を設定する(セレクターをセーフティに入れます): リモコンの[パワーカット機能オフ(空撃ちモード)]ボタンを押し、音が2回鳴ったら設定完了「ビッビッ」。(残弾及びマガジン検知機能によるパワーカット機能がオンとなり、空撃ちが出来なくなります)

【プリコッキング設定】

Fn +

ピストンを後退させてた状態で保持する(セレクターをセーフティに入れます): リモコンの[Fn]ボタンを押し「ビッ」、続けて[プリコッキング設定]ボタンを押す「ビッ」

ピストンを前進させ元の位置に戻す(セレクターをセーフティに入れます): リモコンの[Fn]ボタンを押し「ビッ」、続けて[プリコッキング設定]ボタンを押す「ビッビッ」

【セクターギアのリセット】

****この操作を行うには、マガジンを抜き、上下レシーバーを分解する必要があります。レシーバー分解時に発生する故障や不具合は製品保証対象外となりますので、ご注意ください。**

セレクターをセミに入れ、ボルトリリースレバーとトリガーを同時に押し続け、セクターギアが正常な位置に戻るまで待ち、完了後はレシーバーを閉じ、セレクターをセーフティに入れ終了です。



セクターギアが正常な位置

【診断モード】

自己診断モード(セレクターをセーフティに入れます): リモコンの[診断]ボタンを押し、音が1回鳴ったら診断モードに入ります「ビッ」。

注意: 設定を検査メンテナンスモードに切り替えられない場合は、「リモコン」または「セーフティポジション」でエラーが検出されたことを表し、修理のために返却が必要となります。

検査メンテナンスモードの終了:

- ◆ セーフティポジションに切り替え、リモコンの「検査メンテナンス」ボタンを押して、検査メンテナンスモードを直接終了します。ビープ音が[ビッ]と1回鳴れば、終了が成功したことを表します。
 - ◆ または銃身から電池を外せば検査メンテナンスは終了します。
- 検査メンテナンスモードで、正常に作動している場合はそれぞれのセンサーがビープ音を発します。
1. **トリガーセンサー**: 正常な場合、各トリガー位置で異なるビープ音が鳴ります。
 2. **セレクターセンサー**: 正常な場合、セミで1回「ビッ」、フルオート3回「ビッビッビッ」音が鳴ります。
 3. **ボルトリリースレバー**: 正常な場合、音が1回鳴ります「ピーツ」。
 4. **セクターギアセンサー**: センサー遮断時、ブザーから継続したビープ音が発せられます。センサーはブザーを遮断しなければ反応しません。遮断時にブザーがビープ音を発しない場合は、当該センサーが故障していることを表します。

****判断エラー発生防止のため、クイック検査モードに切り替える前に、必ず弾がなくマガジンのない状態であることを確認してください。**

クイック診断モード(セレクターをセーフティに入れます):

リモコンの[Fu]ボタンを押した後、[診断]ボタンを押し、セレクターをセミに入れトリガーを1回引きます。音が2回鳴ったらクイック診断が開始され「ビッビッ」、正常な場合、音が3回鳴ります「ビッビッビッ」。セレクターをセーフティに戻して終了となります。

主な警告音:

タレットプレート異常: 発射時に「ピー・ビッ」

BB弾異常: 発射後に「ピー・ビッビッ」

【新しいリモコンと本体の同期】

セレクターをセミに入れトリガーを5秒間引きプログラムモードに入り「ビッビッビッ」(P-34参照)、トリガーを6回引き、6回目で音が鳴るまで引き続けます「ピーツ」。その後15秒以内にリモコンの[REST]ボタンを押し、音が2回鳴ったら同期完了「ビッビッ」。

注意: 15秒以内にリモコンの「リセット」ボタンを押さないと、今回の設定は無効となり、ビープ音が[ビッ]と1回鳴り終了します。

【設定の初期化】

本体設定を工場出荷状態に戻すには、リモコンの[Fu]ボタンを押し「ビッ」、[REST]ボタンを押して初期化完了「ビッビッビッ」。



SGR556

SGR556 GNS-A01-01 槍托、彈匣 & 配件 / Stock, magazine & Accessories / Culata, cargador & Accesorios / Crosse, chargeur et Accessoires / ストック、マガジン & アクセサリー

SGR556 GNS-A02-02 前段總成 / Front End set / Cañón exterior y rieles / Ens. avant / フロントエンドセット

SGR556 GNS-A03-01 下槍身總成 / Lower Receiver Set / Conjunto Recibidor Inferior / Ens. corps inférieur / ロアレシーバーセット

SGR556 GNS-A04-01 後托桿模組 / Buffer Tube Set / Conjunto Tubo Amortiguador de Culata / Ens. tube de crosse / バッファチューブセット

TW ▶細部分解圖中的所有零件都可向怪怪貿易股份有限公司訂購。

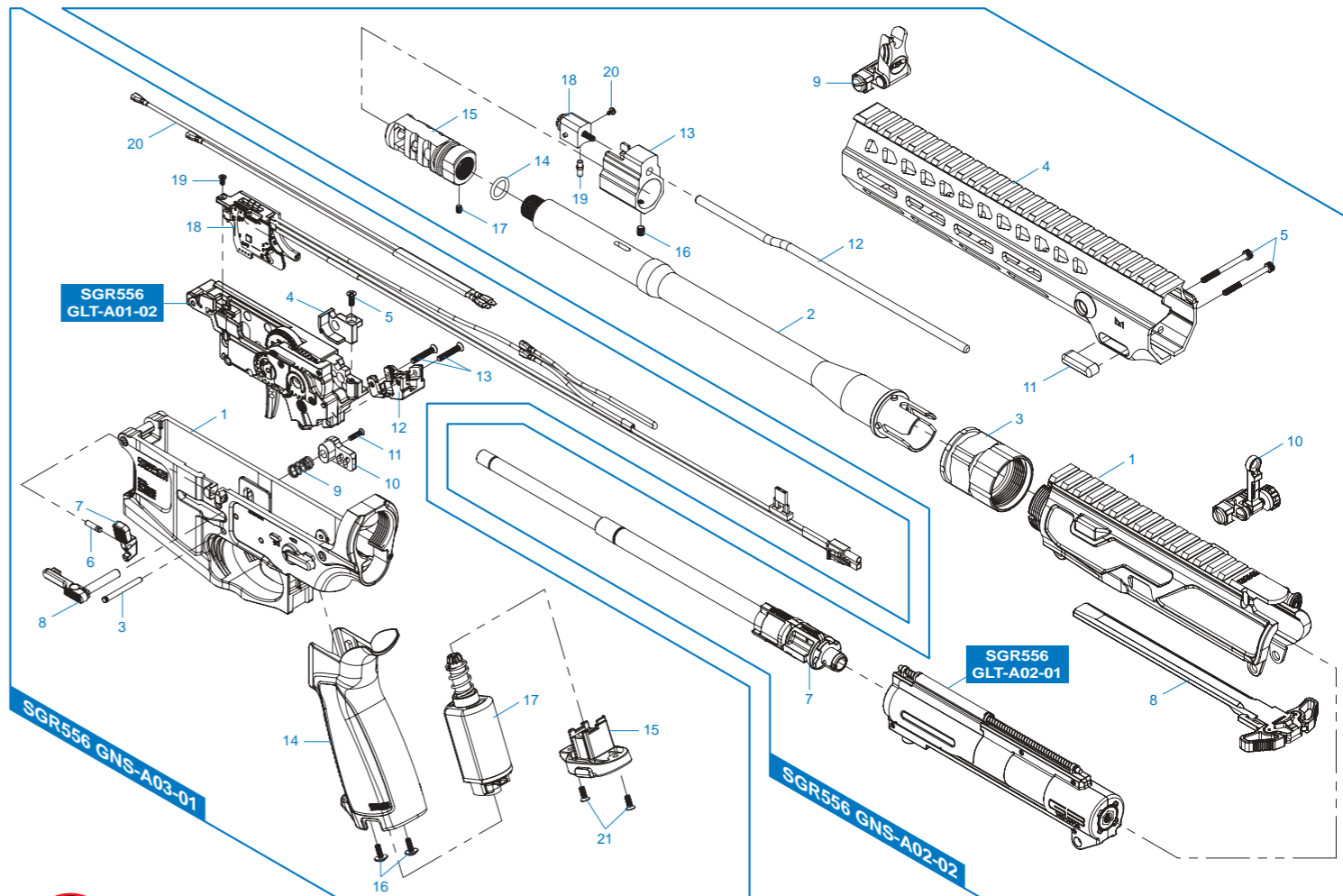
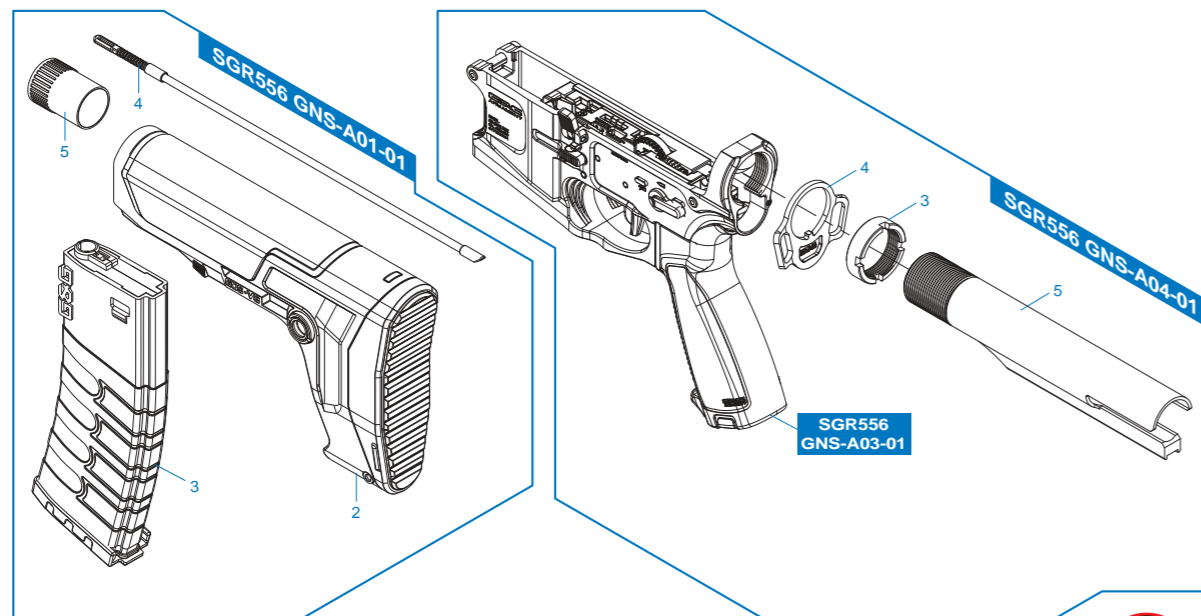
EN ▶The grouped parts may all be purchased from the G&G Support Department.

ES ▶Todas las partes pueden ser compradas en el departamento de Soporte de G&G.

FR ▶Vous pouvez acheter ces pièces en contactant le service après-vente G&G.

JP ▶グループパーツのすべては、G&Gサポートから購入できます。

▶E-Mail: support@guay2com

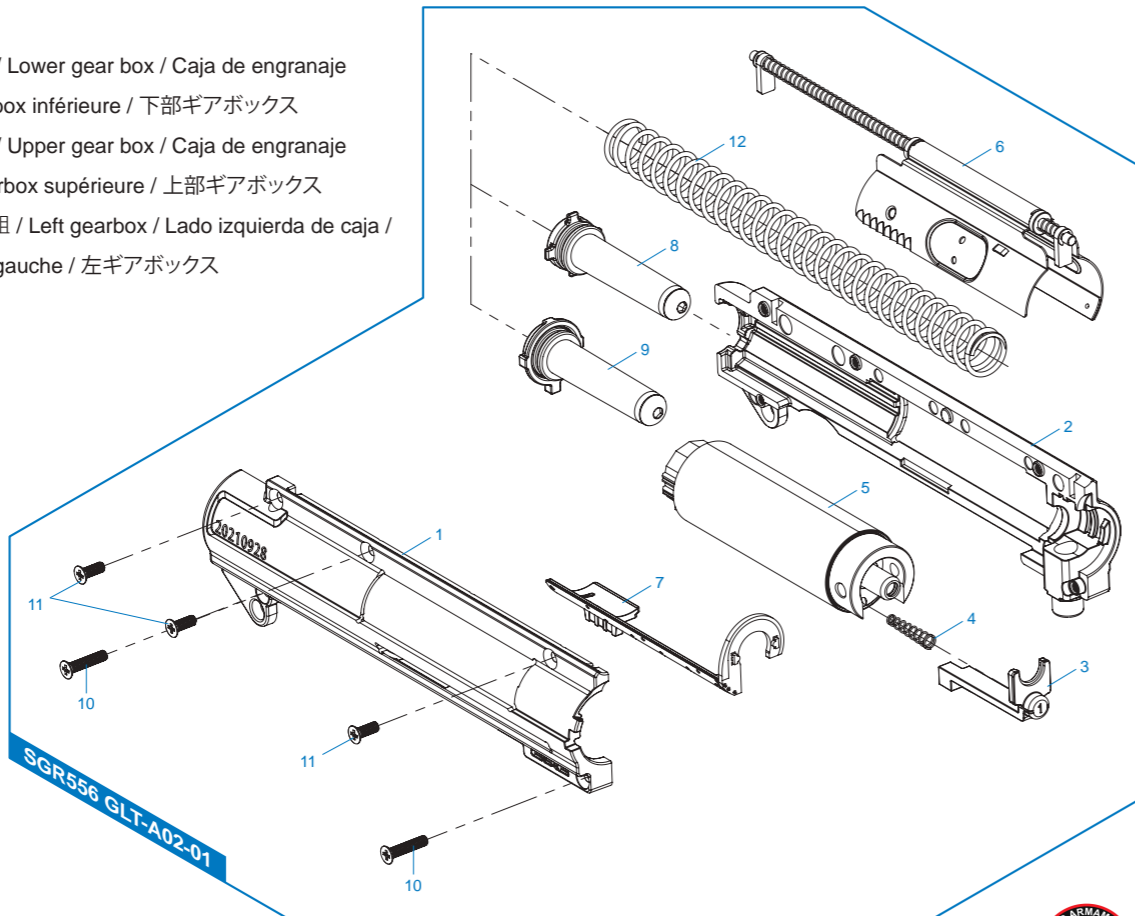


SGR556

SGR556 GLT-A01-02 下齒輪箱模組 / Lower gear box / Caja de engranaje inferior / Gearbox inférieure / 下部ギアボックス

SGR556 GLT-A02-01 上齒輪箱模組 / Upper gear box / Caja de engranaje superior / Gearbox supérieure / 上部ギアボックス

SGR556 GLT-A04-01 齒輪箱左側模組 / Left gearbox / Lado izquierda de caja / Ens. gearbox gauche / 左ギアボックス



TW ▶ 細部分解圖中的所有零件都可向怪怪貿易股份有限公司訂購。

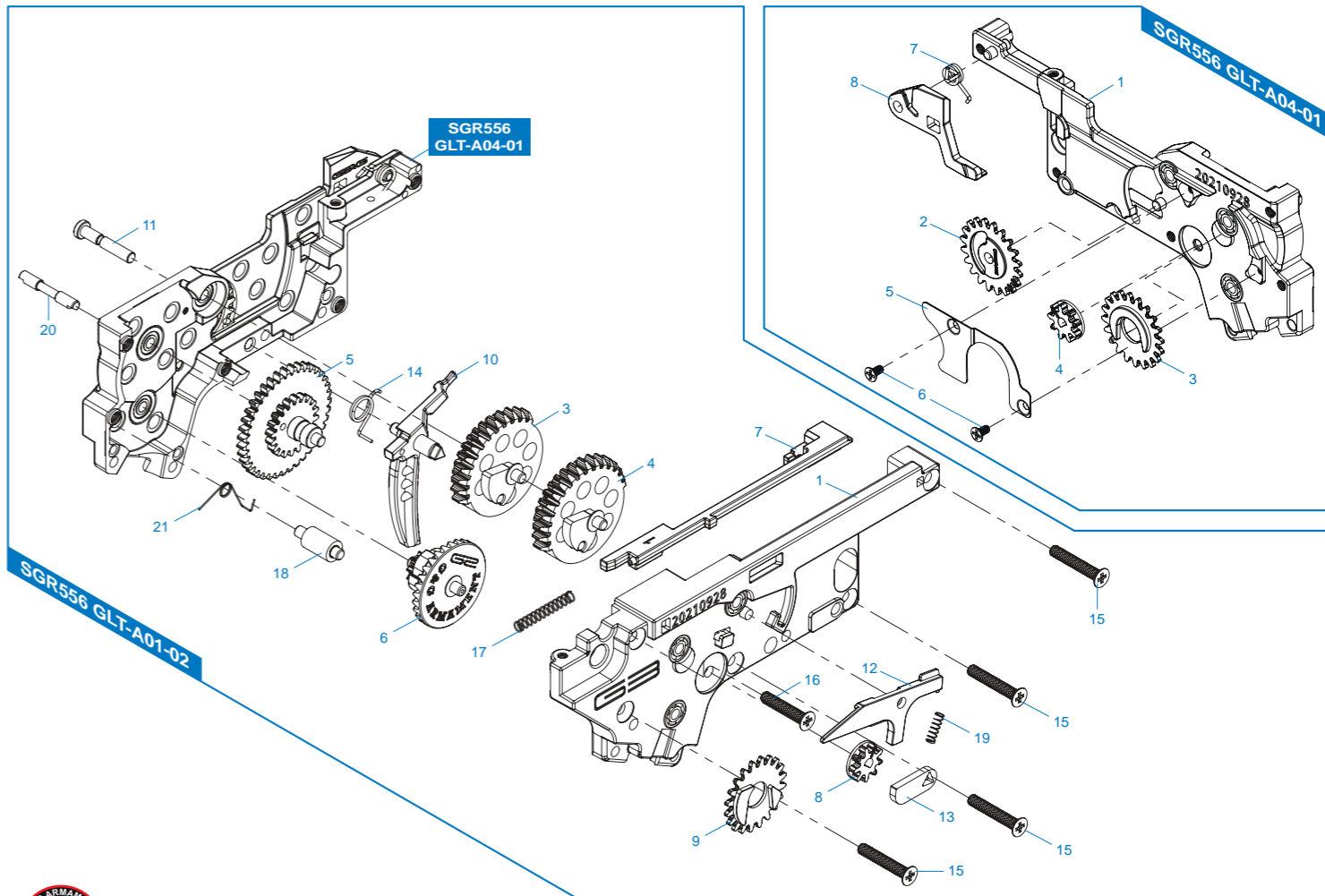
EN ▶ The grouped parts may all be purchased from the G&G Support Department.

ES ▶ Todas las partes pueden ser compradas en el departamento de Soporte de G&G.

FR ▶ Vous pouvez acheter ces pièces en contactant le service après-vente G&G.

JP ▶ グループパーツのすべては、G&Gサポートから購入できます。

▶ E-Mail: support@guay2com



- ▶ 即使你只是開玩笑對他人射擊，你也必須為他人與公物受到的傷害負完全的責任。請在法規的範圍內玩射擊遊戲。
- ▶ 攜帶槍枝時，請將槍口套上安全套，關上保險位置，並把槍放入槍盒或槍袋中。
- ▶ 安全規範：1. 在槍口套上安全套 2. 將選擇鈕設於安全位置 3. 移除彈匣 4.將電池拆下。
- ▶ 請選擇一個周邊沒有人和車的安全地點玩軟氣槍。
- ▶ 當在玩射擊遊戲或練習射擊時，請佩戴護目鏡，並注意彈跳物。最重要的不要傷害到周邊其他的人。
- ▶ 將槍口套上安全套，放入槍袋或槍盒中，並且放在孩童取不到的地方。
- ▶ 不要將槍口指向人、動物或者造成第三人的傷害、危險。
- ▶ 射擊以外的時間，為避免BB彈造成意外危險及防止灰塵掉入槍管，請確實將槍口套上安全套。當槍管套上安全套時，不要扳板機。
- ▶ 看槍口確認是否有BB彈滯留於槍管中是十分危險的。你的眼睛可能會被BB彈打傷，有失明的可能性。
- ▶ 射擊時不留意是十分危險的。不要將手指放在扳機上，除非你已取下安全套，準備開始射擊。
- ▶ 有些情況是在取下彈匣後發現還有BB彈滯留在槍身內，所以取下彈匣後請對空中或安全的地方射擊，無殘留後再套上安全套。
- ▶ 私自拆解或改裝軟氣槍會造成危險，甚至會有違法的可能性。

TW

- ▶ You may be liable for damaging public or personal property or for injuring a person or an animal even if you only meant to shoot as a "practical joke". Always observe good manners and enjoy fun sport shooting.
- ▶ When you carry the air gun, attach the safety cap, set the selector lever to the safety position and always put the air gun in a case or bag.
- ▶ Safety procedures: 1.Attach the safety cap to the muzzle. 2.Set the selector lever to the safety position. 3.Remove the magazine.4.Remove the battery
- ▶ Select a safe place for operating the air gun, avoid places where people and cars are around.
- ▶ When shooting the air guns for target practice or in a game situation, You and all participants must wear safety goggles or other eye protective gear. Also pay attention to ricochet. It is very important to pay attention to third parties other than the participants.
- ▶ Always attach the safety cap to the muzzle, remove the battery and store the air gun in a case or bag and at a place that is out of reach by children.
- ▶ Never direct the muzzle towards a person, animal or in any direction. That may cause harm or damage to the third party.
- ▶ Make sure to put the barrel and safety cap on the muzzle, except when you are shooting. Do this to prevent accident, discharge of BB's and also for dust protection purpose. Never pull the trigger while the barrel and the safety cap is attached.
- ▶ Looking into the muzzle is extremely dangerous regardless of BB's having been loaded or not. If you get hit in the eye by a BB pellet, you may in worst case, lose your eye sight.
- ▶ Activating the trigger carelessly is extremely dangerous. Never put your finger on the trigger unless the safety cap is removed and you are ready to shoot a target.
- ▶ There may be cases where some BB's remain in the gun after the magazine has been removed. After removal of the magazine, direct the muzzle towards a safe direction and pull the trigger to confirm that there are no BB's remain in the gun, then attach the safety cap.
- ▶ Disassembling or modifying the gun may adversely affect the performance and make it dangerous. "It may be against the Law."

EN

- ▶ Usted puede ser responsable por daño de propiedad pública o privada al herir a una persona o animal incluso sin que fuese intencional o como una "broma pesada". Siempre tenga buenos modales y disfrute de la diversión de tiro deportivo.
- ▶ Cuando transporte la pistola, utilice una cobertura de cañón, coloque la pistola en modo seguro y siempre ponga la pistola en una bolsa o una caja.
- ▶ Procedimientos de Seguridad:
 - 1.Utilice una cobertura de cañón. 2. Coloque el selector en modo seguro. 3.Quite los cargadores. 4.Quite la batería.
- ▶ Seleccione un lugar seguro para usar el rifle de aire, evite lugares donde se encuentren personas y coches alrededor.
- ▶ Al disparar los rifles de aire en prácticas de tiro o en juegos, usted y todos los participantes deberán llevar gafas de seguridad u otras gafas protectoras. También preste atención al rebote. Es muy importante prestar atención no solo a los participantes sino también a terceros.
- ▶ Siempre utilice una cobertura de cañón, retire la batería y almacene el rifle de aire en una caja o bolsa. Fuera del alcance de los niños.
- ▶ Nunca dirija el cañón hacia una persona, un animal o en cualquier dirección. Puede causar daño o perjuicio a la terceros.
- ▶ Asegúrese de colocar siempre la cobertura de cañón en la bocacha, a excepción de cuando esté disparando. Para evitar accidentes por disparo de balines accidentales y proteger el rifle contra el polvo. Nunca tire del gatillo mientras la cobertura del cañón este en el barril.
- ▶ Mirar dentro el cañón es extremadamente peligroso a pesar de que los balines no hayan sido cargados. Si recibe un golpe directo en el ojo por un balín puede perder su vista permanentemente.
- ▶ Activar el gatillo sin cuidado es extremadamente peligroso. Nunca ponga el dedo en el gatillo a menos que la cobertura del cañón haya sido retirada y esté preparado para disparar al objetivo.
- ▶ Puede haber casos en los balines se queden dentro del rifle después de que el cargador haya sido retirado. Después de la extracción del cargador, dirija la boca del cañón hacia una dirección segura y apriete el gatillo para confirmar no haya quedado ningún balín dentro del rifle, por último coloque la cobertura del cañón.
- ▶ Al modificar o desmontar el rifle puede afectar el rendimiento de la réplica y convertirlo en algo peligroso. "Puede estar en contra de la ley".


ES


- ▶ Vous pouvez être tenu responsable pour tout dommage de propriété publique ou personnelle, ou blessure sur une personne ou un animal. Faites preuve de fair-play pour profiter pleinement de l'Airsoft.
- ▶ Mettre le capuchon de sécurité sur le cache-flamme, le sélecteur de tir sur la position sécurité et la réplique dans un sac lors de son transport.
- ▶ Procédure de sécurité:1. Mettre le capuchon de sécurité sur le cache-flamme. 2. Mettre le sélecteur de tir sur la position sécurité. 3. Retirer le chargeur. 4. Retirer la batterie.
- ▶ Choisissez un endroit sûr pour utiliser la réplique, et évitez tout endroit entouré d'automobile ou de personne.
- ▶ Lors de l'utilisation de la réplique, tout participant se doit de porter des lunettes de protection. Faites attention au ricochet des projectiles et aux passants.
- ▶ Toujours mettre le capuchon de sécurité sur le cache-flamme, retirer la batterie et garder la réplique dans un sac à l'abri des enfants.
- ▶ Ne jamais pointer le canon de la réplique sur quelqu'un ou quelque chose pour causer des blessures ou des dommages.
- ▶ Assurez-vous de mettre le bouchon de sécurité sur le cache-flamme. sauf si vous tirez évidemment. Procédez ainsi pour éviter tout accident et protéger la réplique de la poussière.
- ▶ Regarder dans le canon est extrêmement dangereux même s'il ne reste plus de billes dans la réplique. Si vous êtes touché par une bille, vous risquez de perdre l'usage de votre oeil.
- ▶ Presser la queue de détente sans aucune précaution est extrêmement dangereux. Ne déposez jamais votre doigt sur la queue de détente si vous n'avez pas au préalable retiré le capuchon de sécurité et si vous n'êtes pas prêt à tirer.
- ▶ Dans certains cas il est possible que des billes soient restées dans la réplique après avoir retiré le chargeur. Lorsque le chargeur est retiré, pointez votre réplique vers une direction sans danger pour autrui et tirez pour vous assurer qu'il ne reste pas de billes à l'intérieur, puis mettez capuchon de sécurité sur le cache-flamme.
- ▶ Démontez ou modifiez la réplique vous même peut affecter défavorablement ses performances, la rendre dangereuse et vous mettre hors la loi.


FR


- ▶ たとえイタズラのもりでも、共有物や他人の財産を撃って破損させたり、人や生き物を撃って怪我をさせたりすると、器物破損罪や傷害罪などで処罰される場合があります。
- ▶ エアガンを持ち歩く場合は、銃口に保護キャップをして、セレクターレバーをセーフティーの位置にし、必ずケースやバッグに入れて運んでください。
- ▶ 安全手順 1.銃口に保護キャップを装着する。2.切り替えレバー（セレクターレバー）をセーフティーの位置にする。3.マガジンを取り外す。4.バッテリーをエアガンから取りはずす。
- ▶ エアガンを撃つ際は、安全に配慮し、人や動物又は危険な場所には向けないでください。また、周囲に人がいるような場所での射撃は絶対にしないでください。
- ▶ 弾を発射する時やゲームなどの場合は、跳弾にも注意し、ゴーグルなどの眼の保護具を本人と参加者全員が必ず装着して行ってください。（参加者以外の第三者に弾が当たらないように十分ご注意ください。）
- ▶ 対象年齢以外の子供がイタズラをして怪我などを起こさないように、必ず銃口に保護キャップをしてケースやバックに入れて子供が手の届かない所に保管してください。
- ▶ エアガンで人や動物を狙ったり、撃つたりしないでください。標的を撃つ時以外は銃口に保護キャップを必ず装着してください。
- ▶ 万が一の暴発を防ぐと共に防塵のために、発射時以外は必ず銃口に保護キャップを装着してください。
- ▶ 銃口は、弾が入っている入っていないにかかわらず、絶対にのぞかないでください。BB弾が眼に当たった場所、最悪失明の恐れがあり大変危険です。
- ▶ 標的に向けて発射する時以外は、引き金に指をかけないでください。引き金に指をかけた状態では、何らかのはずみで引き金を引いてしまう恐れがあり大変危険です。
- ▶ マガジンを抜いてもガン内部に弾が残っている場合があります。不用意に引き金を引くと弾が発射され大変危険です。マガジンを抜いた後、銃口を安全な方向に向けて撃ち、弾が残っていない事を確認してから、銃口に保護キャップをして保管してください。
- ▶ このエアガンは、最適な性能、操作性を考慮して製造されています。むやみな分解、改造は、危険性を誘発したり性能を著しく損なう場合がありますので、絶対にお止めください。

JP

	TW 請選擇有合格認證(CE)的電池，避免損害產品。	EN Please select quality battery with the CE approval, to avoid any unnecessary damage on the product.
	ES Por favor seleccione la batería de calidad con la aprobación del CE, para evitar daños innecesarios en el producto.	
	FR Utilisez des batteries certifiées CE afin d'éviter tout dommage sur le produit.	
	JP 品質の良いバッテリーを選択してください。(C認証) アンペア数の異なる高い製品や粗悪なバッテリーなどはメカBOXが破損しますので絶対使用しないでください。アンペア数の異なる高い製品や粗悪なバッテリーなどはメカBOXが破損しますので絶対使用しないでください。	

	TW 請使用說明書上建議的電池伏特數，使用錯誤的伏特數將損害產品。	EN Please use suggested battery in the manual, if di ferent voltage used, it might damage the product.
	ES Por favor utilice la batería que se sugiere en el manual si utiliza un voltaje diferente, podría dañar el producto.	
	FR Utilisez les batteries recommandées dans le manuel. Une différence de voltage peut endommager le produit.	
	JP 指定以外のバッテリーの使用による事故、故障などについて、当社は一切の責任を負いません。	

	TW 不使用產品時請將電池拔除。	EN Remove the battery from the product when it is not in use.
	ES Retire la batería del producto cuando no esté en uso.	
	FR Retirez la batterie du produit lorsque vous ne l'utilisez pas.	
	JP バッテリーをコネクターから取り外してください。	

	TW 電池請遠離潮濕和火源，請勿破壞電池。	EN Do not wet nor incinerate the battery, nor to deform terminal.
	ES No moje ni incinere la batería. Tampoco deforme el terminal.	
	FR Ne mouillez pas ou ne chauffez pas la batterie sinon vous risquez de déformer le connecteur.	
	JP バッテリーを濡らしたり、火の周りに近づけたりしないでください。また、バッテリーの外観を損傷しないでください。	

