

**B BERGARA**



OWNER'S MANUAL  
MANUAL DE USUARIO  
BENUTZERHANDBUCH  
MANUEL D'USAGE  
MANUALE UTENTE

**BA13 TAKE DOWN**

---

BAIS

# CONTENTS

---

EN

1.- Introduction	4
2.- General safety	5-7
3.- Introduction to your BERGARA BA13 TAKE DOWN rifle	8
4.- Loading and firing the BERGARA BA13 TAKE DOWN rifle	9
5.- Use of military ammunition	10
6.- Rifle barrel disassembly	10
7.- Barrel adjustment to rifle handguard	11
8.- Adjusting the open sights	12
9.- Scope mounting	12
10.- Cleaning and maintenance	13
11.- Storage	13
12.- Warranty	14

# 1. OVERVIEW AND SAFETY WARNINGS

Thank you for buying a Bergara BA13 TAKE DOWN rifle.

We hope that this firearm is up to your expectations, serves you as intended and gives you years of satisfaction.

Please read this manual. There are many features that the user must familiarize with to safely use this firearm.

*The future of shooting sports depends on you.*

Accidents, misuse of firearms etc. are portrayed as reasons to ban shooting sports in general and firearms in particular. Please be responsible, promote safety and listen to safety advices from other fellow shooters.

If after reading the instructions, warnings and risks detailed in this manual you are not ready to accept the responsibility involved in handling and shooting a firearm safely, return the gun to where you bought it.

*All security measures should be taken into account for the safe use of the firearm.*

## 2. GENERAL SAFETY

### 10 safety rules for handling your firearm

---

1. Always keep the muzzle pointed in a safe direction, even when the rifle is unloaded.
2. Be sure of your target and of what is behind it before aiming at anything.
3. Never trust the mechanical safety catch of a firearm.
4. The firearm must be unloaded until the moment of use.
5. Always use eye and ear protection.
6. The barrel must be free from any obstruction before loading and firing.
7. Handle every firearm as if it were loaded.
8. Store firearms and ammunition separately and in an enclosed, locked area.
9. Avoid the consumption of alcohol and drugs before and while using a firearm.
10. Do not alter or modify your firearm. Make sure your firearm is serviced regularly by a competent gunsmith. Make sure all the parts are working properly before each use.

#### **Health Warning:**

*Discharging firearms in a poorly ventilated area and/or handling ammunition may cause exposure to lead or lead compounds. Make sure that you have proper ventilations at all times.*

*Be sure to wash your hands thoroughly after shooting, handling ammunition, or cleaning your firearm.*

*Do not eat or smoke during these activities.*

## 2. SAFETY CONSIDERATIONS FOR ALL FIREARMS

- Never smoke while you are shooting or handling a firearm or related material. The ashes or sparks can ignite the gunpowder or cartridges, causing personal injury or death.
- Always use eye protection. It is possible that sparks fly from the breech or the muzzle when we use a rifle.
- Always check the rifle before using it to ensure it is in good working order. Test the trigger and the release system carefully before loading. Make sure that the barrel is not obstructed. Any obstruction can cause the barrel to rupture, resulting in serious injury or death.
- Never load a firearm until you are ready to shoot. You must remove the cartridge when walking, climbing trees or fences, passing the firearm from one person to another, jumping a wall or fence, etc.
- Never lean a firearm against a wall, a tree, a vehicle or any other surface. If a loaded firearm falls it may cause the weapon to accidentally fire, causing serious injury or death.
- Never transport a loaded firearm in any type of vehicle. The firearm is considered to be loaded all the while that the cartridge remains in the chamber.
- Never store a loaded firearm. The firearm must be unloaded and cleaned before any type of storage.
- Never load a firearm without first ensuring that the barrel is clean and unobstructed. If the firearm falls to the floor by accident, check that the barrel has not become obstructed.
- Be very careful when hunting from a position in a tree. If a loaded firearm accidentally falls it may cause the weapon to fire, causing serious injury or death. Make sure the firearm is unloaded before climbing up or down from a tree.
- Never trust the mechanical safety catch! Mechanical devices can and do fail. Firearms must always be handled as if they were ready for shooting, regardless of the position or the mechanical condition of the safety catch.
- Always follow the proper cleaning procedures. Shooting a firearm that is poorly maintained or corroded can lead to dangerous pressure and/or cause the barrel to explode, causing serious injury or death.
- Never point the barrel at anything you do not wish to see damaged. When carrying the firearm on your shoulder, make sure that the barrel is pointing upwards.
- Never try to modify the inner parts of your firearm. Doing so may cause a dangerous situation, provoking an accidental discharge of the weapon and causing serious injury or death. These alterations will generally void the warranty.
- Never leave the firearm unattended or in the reach of children. In some countries it is punishable by law.

## 2. SAFETY CONSIDERATIONS FOR ALL FIREARMS

### You are responsible for your firearm safety!

---

*As a gun owner, you must accept a set of demanding responsibilities.*

*At all times you must handle your rifle with intense respect for its potential dangers.*

*Read and understand the functions and terminology explained in this book before attempting to use your BERGARA rifle.*

EN

### For your safety and the safety of others!

---

*BERGARA encourages that you take a certified hunter's safety course before using any firearm. Consult your local Game & Fish authorities for information on the courses available.*

*Even if you do not intend to hunt game animals, the information gained from taking a hunter's safety course can help in preventing dangerous or fatal accidents from occurring.*

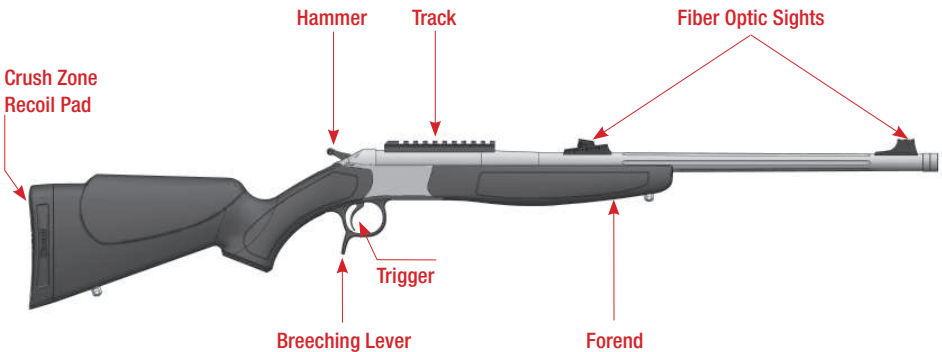
### 3. INTRODUCTION TO YOUR BERGARA BA13 TAKE DOWN RIFLE

The BERGARA BA13 TAKE DOWN rifle is available only as a single caliber gun. It does not feature interchangeable barrels like some other versions of BERGARA centerfire rifles.

The barrel is fitted to a specific frame and is thus not interchangeable with other BA13 models.

Attempting to fit a barrel from another rifle or rifle model could result in an unsafe condition.

If you have reason to believe that your barrel is not original to your frame, please call BERGARA for verification.





## 4. LOADING AND FIRING THE BERGARA BA13 TAKE DOWN RIFLE

- Remove any oil remains from the barrel before using the rifle barrel to avoid over-pressure.
- Before loading the rifle make sure the barrel is not obstructed by opening the breech and looking through the barrel. The breech is opened by pulling the breeching lever, located in front of the trigger guard, to the rear. This will allow the barrel to pivot forward for inspection, cleaning or loading.
- Make sure the ammunition you select is the same as the cartridge designation as printed on the side of the barrel.
- With the muzzle pointing in a safe direction, insert the cartridge into the barrel and close the action. It is recommended that you “snap” the gun closed to insure the most positive and consistent locking of the breech.
- With the gun pointed in a safe direction, cock the hammer, aim and gently pull the trigger to fire. If firing with the firearm supported, ensure you do not rest it on the trigger guard, as it is used to operate the opening mechanism and could be opened by accident.
- To remove the fired case, or to unload an unfired cartridge, open the breech by pulling on the breeching lever in front of the trigger guard. The extractor will lift the case from the chamber and allow removal by grasping the rear of the case with the fingers. Note that the extractor only partially pulls the case from the chamber, it does not eject it.
- If a cartridge fails to fire, wait at least 1 minute with the muzzle pointing in a safe direction before removing or trying again.

### IMPORTANT!

#### ***Return a cocked and loaded rifle to the resting position***

*If the rifle has been loaded and cocked and you decide not to fire, proceed as follows to uncock and remove the ammunition from the chamber.*

- 1. Point the firearm in a safe direction.*
- 2. Hold the hammer firmly.*
- 3. Press the trigger softly whilst firmly holding the hammer so that it does not drop.*
- 4. Carefully move the hammer to the resting position.*
- 5. Release the trigger.*
- 6. Release the hammer.*
- 7. Open the firearm and remove the ammunition.*

## 5. USE OF MILITARY AMMUNITION

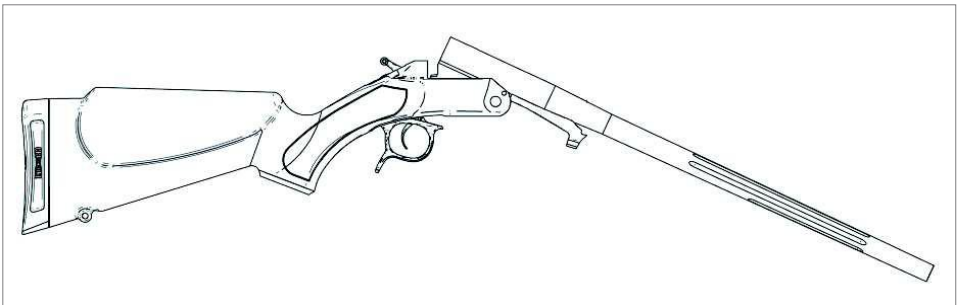
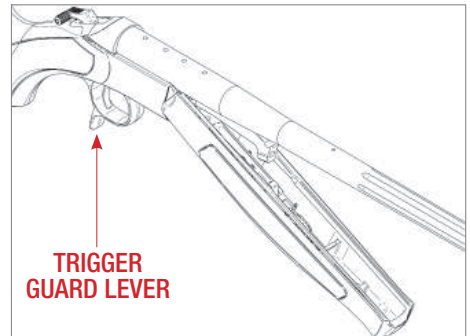
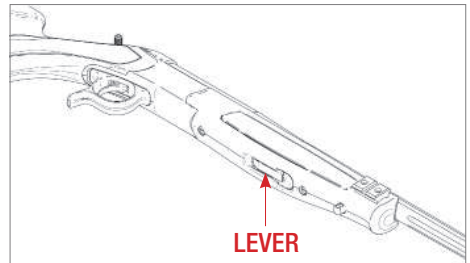
Military ammunition, such as the 5.56 NATO and 7.62 NATO, is not completely interchangeable with commercial ammunition, such as the .223 Remington and .308 Winchester. There are other differences in the dimensions

of the chamber and the pressure with which the ammunition is usually loaded.

Therefore BERGARA and the SAAMI do not recommend using military ammunition in civilian firearms.

## 6. RIFLE BARREL DISASSEMBLY

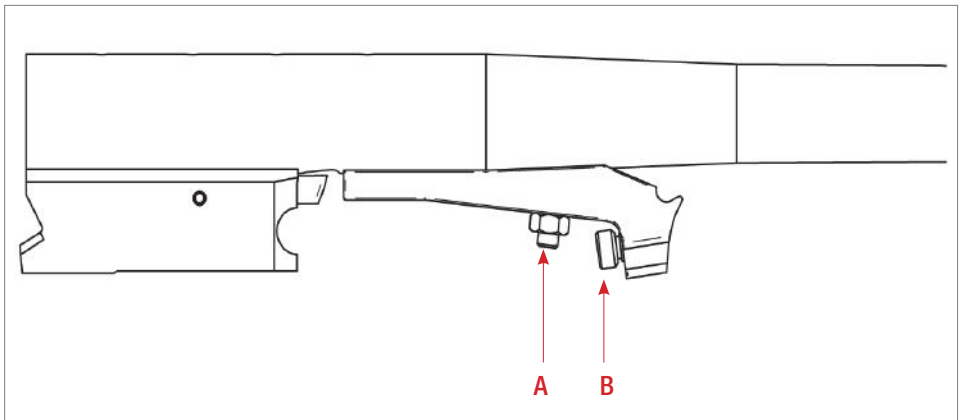
- Remove the handguard by pulling on the lever located underneath. First rotate the handguard then pull it towards the front of the rifle.
- Having removed the handguard, pull on the trigger guard lever to release the barrel from the boxlock. Rotate the barrel as if loading the rifle.
- To install the barrel again, position it in the reloading position and rotate until it becomes attached to the boxlock.
- Place the handguard in an inclined position and rotate until it is anchored to the barrel.



## 7. BARREL ADJUSTMENT TO RIFLE HANDGUARD

The handguard is factory adjusted. Should it become misadjusted proceed as follows:

- The handguard has lengthwise play after installation. Adjust screw B on the barrel until there is no play.
- The handguard cannot be installed because it bottoms out before the anchor point and tightens when pressed. Loosen screws A and B until the handguard is anchored and there is lengthwise and vertical play. Adjust screw B on the barrel to remove lengthwise play. Then adjust screw A so that it bottoms out with the handguard anchored.
- The handguard cannot be installed because it bottoms out before the anchor point but does not tighten when pressed. Adjust screw A on the barrel until it correctly anchors.
- The handguard is anchored, but if pressure is applied it tightens up and is difficult to remove. Adjust screw A until the handguard bottoms out when anchored.



## 8. ADJUSTING THE OPEN SIGHTS

In case you have chosen a BA13 TAKE DOWN equipped with fiber-optic sights, follow these guidelines to adjust them correctly:

- To adjust the sights to the bullet's point of impact you should fire at least 2 shots at the target before making adjustments.
- Adjust your sights to the center of the group. The “rule of thumb” to remember is that you move the rear sight the same direction that your bullet hit must move. In other words, if you need your group to go to the right, move the rear sight to the right. If you need your group to go up, move the rear sight up.
- Loosen the screw on the sight to allow for movement and retighten securely afterwards.

## 9. SCOPE MOUNTING

- BERGARA rifles come drilled and tapped for easy installation of a scope and mounts. Do not drill additional holes in your barrel as this can weaken the barrel and cause it to burst, resulting in severe injury or death.
- Without a doubt, the most common cause of unacceptable accuracy is inferior scope mounts and rings. Follow the scope mount manufacturer's recommended instructions when installing the mounts and rings.
- The use of Loctite™ thread-locking compound is optional but certainly not required. If you decide to use this material, use a low-strength grade and use it sparingly.
- Take care to assure that the front bell on the scope is not contacting the barrel. Make sure that the rear bell of the scope is an appropriate distance from your eye so that you are not struck by the scope during recoil.

## 10. CLEANING AND MAINTENANCE

It is recommended that you clean with quality products such as BERGARA Barrel Blaster brand of cleaning products. Use a quality cleaning rod and jag. We recommend that you clean from the breech end of the barrel to protect the muzzle crown.

Using a properly fitting bore brush that is wet with solvent, brush the barrel with several full-length strokes. Allow the solvent to sit in the bore for a few minutes (follow the solvent manufacturers recommendations). Push clean, dry patches through the barrel to remove fouling and solvent. Repeat the solvent and patching process until the dry patches come out clean.

The firing pin can be cleaned and lubricated by following these steps:

- Verify the gun is unloaded
- Cock the hammer to expose the rear of the firing pin
- Remove the screw above the firing pin
- The firing pin and spring will follow. Reassemble in reverse order.

This step is needed only occasionally or if the mechanism is soaked with water.

Oil the bore, pivot pin and exterior of the gun to prevent corrosion.

## 11. STORAGE

- Store your gun in a safe including a method for reducing the relative humidity.
- From time to time, remove the rifle from its storage location and clean it.
- Follow the legal regulations regarding storage of firearms.
- If you are going to keep the rifle in the gun rack for an extended time, store it uncocked, with the firing pin spring in the resting position, i.e. not compressed.

## 12. WARRANTY

Please address your warranty concerns electronically to: [Info@bergararifles.com](mailto:Info@bergararifles.com)

Or by mail to:

**DIKAR S. Coop**  
Ugarte, 26  
20570 Bergara - Gipuzkoa (Spain)

The Bergara BA13 TAKE DOWN rifle is warranted to be free from manufacturers defects for the life of the gun. This warranty is to the original purchaser and is not transferable. This warranty does not cover normal wear and tear, finish of metal or wood, abuse or misuse, damage to property, cost of inconvenience or loss of use.

This warranty gives you certain legal rights and you may have other rights which vary from state to state or country to country. Apart from the assumptions of cancellation of warranty mentioned in the different sections of this manual, below will also void the warranty:

- Unauthorized modifications and/or repairs.
- Rifle returned in neglected conditions (dirty, corroded, etc.).
- Use of improper ammunition (e.g. military ammunition, reloaded ammunition, ammunition un authorized by CIP or SAAMI).
- Damages which result from not following the instructions given in this manual.

The rifle is identified by its serial number on the side of the receiver.

***IMPORTANT: In case of return, make sure that the rifle is unloaded!!***



CUSTOMER SERVICE:

BERGARA

**DIKAR S. Coop**

Ugarte, 26  
20570 Bergara - Gipuzkoa (Spain)

Tel.: +34 943 769 893

[info@bergararifles.com](mailto:info@bergararifles.com)

[www.bergararifles.com](http://www.bergararifles.com)

Facebook: Bergara Rifles Europe

Youtube: bergarainternational



EN

---

BA13



# ÍNDICE

---

ES

1.- Introducción	18
2.- Seguridad en general	19-21
3.- Introducción a su rifle BERGARA BA13 TAKE DOWN	22
4.- Carga y disparo del rifle BERGARA BA13 TAKE DOWN	23
5.- Uso de munición militar	24
6.- Desmontaje del cañón del rifle	24
7.- Ajuste del cañón al guardamano del rifle	25
8.- Ajustando el alza y la mira	26
9.- Montaje de la mira telescópica	26
10.- Limpieza y mantenimiento	27
11.- Almacenamiento	27
12.- Garantía	28

# 1. ADVERTENCIAS DE CUIDADO Y SEGURIDAD

Gracias por comprar un rifle Bergara BA13 TAKE DOWN.

Esperamos que este rifle cumpla sus expectativas, le sirva para sus fines y le proporcione años de satisfacción.

Lea este manual. Hay muchas características a las que se debe familiarizar el usuario para utilizar el arma de manera segura.

## ***El futuro de los deportes de tiro depende de usted.***

Los accidentes, el mal uso de las armas de fuego, etcétera, se consideran razones para prohibir los deportes de tiro en general y de armas en particular.

Sea responsable, busque la seguridad y preste atención a los consejos sobre seguridad de otros compañeros tiradores.

Si después de leer las instrucciones, advertencias y riesgos detallados en este manual usted no está dispuesto a aceptar la responsabilidad que supone manipular y disparar un arma de forma segura, devuelva el arma al lugar donde la compró.

***¡Deben tenerse en cuenta todas las medidas de seguridad para que la utilización del arma sea segura!***

## 2. SEGURIDAD EN GENERAL

### 10 reglas de seguridad para el manejo de su arma

---

1. Mantener siempre la boca del rifle apuntando en una dirección segura, aunque el rifle esté descargado.
2. Esté seguro de su objetivo y de lo que hay detrás de él antes de apuntar a ningún sitio.
3. Nunca se fíe de la seguridad mecánica de un arma.
4. El arma debe estar descargada hasta el momento de su uso.
5. Use siempre protección ocular y auditiva.
6. El cañón debe estar libre de cualquier tipo de obstrucción antes de la carga y el disparo.
7. Maneje cada arma como si estuviera cargada.
8. Almacene las armas y la munición por separado y en un área cerrada con llave.
9. Evite el consumo de bebidas alcohólicas y drogas, antes y durante el uso de un arma.
10. No altere ni modifique su arma. Mantenga su arma revisada con regularidad por un armero competente. Asegúrese de que cada pieza funciona correctamente antes de cada uso.

#### ***Advertencia sanitaria:***

*Disparar un arma en un área poco ventilada y/o manipular munición pueden causar la exposición al plomo o a compuestos de plomo. Asegúrese de que dispone de una ventilación adecuada en todo momento.*

*Asegúrese de lavarse bien las manos después de disparar, manipular la munición o limpiar su arma.*

*No coma ni fume durante estas actividades.*

## 2. CONSIDERACIONES DE SEGURIDAD PARA TODAS LAS ARMAS

- Nunca fume mientras dispara o maneja un arma o material relacionado. Las cenizas o las chispas pueden causar que la pólvora o los cartuchos prendan, provocando daños personales, incluso la muerte.
- Utilice siempre protección para los ojos. Es posible que salten partículas de la recámara o de la boca del arma cuando utilizamos cualquier rifle.
- Revise siempre el arma antes de usarla para asegurarse de que está en buen estado de funcionamiento. Pruebe el gatillo y el sistema de apertura cuidadosamente antes de la carga. Compruebe que el cañón no este obstruido. Cualquier obstrucción puede hacer que éste explote, causando graves lesiones o la muerte.
- Nunca cargue un arma hasta que esté listo para disparar. Hay que sacar el cartucho al caminar, al trepar árboles o cercas, al pasar el arma de una persona a otra, al saltar una pared o valla,...
- Nunca apoye un arma contra la pared, un árbol, un vehículo u otra superficie. La caída de un arma cargada puede provocar un disparo accidental del arma, causando graves lesiones o la muerte.
- Nunca transporte un arma cargada en ningún tipo de vehículo. Se considera que el arma está cargada mientras no se saque el cartucho de la recámara.
- Nunca guarde un arma cargada. El arma debe estar descargada y debemos limpiarla antes de cualquier almacenamiento.
- Nunca cargue un arma sin antes asegurarse de que el cañón está limpio y sin obstrucciones. Si el arma cae al suelo por accidente, comprobar que el cañón no ha quedado obstruido.
- Tenga mucho cuidado cuando cace desde un puesto de árbol. La caída accidental de un arma puede provocar un disparo, que puede causar graves lesiones o la muerte. Asegúrese de que el arma esta descargada antes de subir o bajar de un árbol.
- ¡Nunca se fie de la seguridad mecánica! Los aparatos mecánicos pueden fallar y de hecho lo hacen. Las armas siempre deben manipularse como si estuvieran listas para disparar, independientemente de la posición o la condición mecánica de la seguridad.
- Utilice siempre procedimientos de limpieza adecuados. Disparar un cañón con mal mantenimiento o con corrosión puede conducir a condiciones de presión peligrosas y/o hacer que el cañón explote causando lesiones graves o la muerte.
- Nunca apunte el cañón hacia algo que usted no quiera ver dañado. Al llevar el arma en el hombro asegúrese que la boca del cañón este mirando hacia arriba.
- No trate de modificar las partes internas de su arma. Si lo hace puede causar una situación peligrosa causando un disparo accidental del arma y causando graves lesiones o la muerte. Estas alteraciones, en general, anulan la garantía.
- No deje el arma sin vigilancia o al alcance de los niños. En algunos países está penado por la ley.

## 2. CONSIDERACIONES DE SEGURIDAD PARA TODAS LAS ARMAS

### ¡Usted es el responsable de la seguridad de su arma!

*Como propietario del arma, usted debe aceptar una serie de responsabilidades. En todo momento, usted debe manejar su rifle con mucho respeto por sus peligros potencial.*

*Lea y entienda las funciones y la terminología que se explican en este libro antes de intentar utilizar su rifle BERGARA.*

### ¡Por su seguridad y la de los demás!

*BERGARA le sugiere que participe en un curso certificado de seguridad del cazador antes de utilizar su arma.*

*Consulte a sus autoridades la información de los cursos disponibles.*

*Aunque no tenga intención de cazar animales, la información obtenida en un curso para la seguridad del cazador puede ayudarle a prevenir accidentes graves o mortales.*

ES

### 3. INTRODUCCIÓN AL RIFLE BERGARA BA13 TAKE DOWN

*El BA13 TAKE DOWN es un rifle concebido para ser desmontado de manera fácil, rápida y sin necesidad de utilizar ningún tipo de herramienta.*

*Intentar montar un cañón de otro modelo de rifle o un cañón modificado por el usuario puede*

*considerarse como una condición insegura. Estas alteraciones en general anulan la garantía.*

*Si tiene motivos para pensar que su cañón no es el original que corresponde a este modelo, por favor llame a BERGARA para verificarlo.*



## 4. CARGA Y DISPARO DEL RIFLE

- Antes de utilizar el rifle quite los restos de aceite de limpieza del cañón para evitar la sobrepresión.
- Antes de cargar el rifle, tire de la palanca del guardamonte para desbloquear el cañón de la báscula. El cañón girará hacia delante para permitir el acceso a la recámara. Asegúrese de que el cañón no este obstruido mirando a través de él. Esto le permitirá inspeccionar, limpiar o cargar.
- Asegúrese de que la munición que selecciona es del mismo calibre al que aparece marcado en el lateral del cañón.
- Con el cañón apuntando en una dirección segura, inserte la munición en la recámara y cierre la acción.
- Con el cañón apuntando en una dirección segura, baje el martillo, fije el objetivo y tire suavemente del gatillo para disparar. Si dispara con el arma apoyada, asegúrese de que no la apoya en el guardamonte, puesto que el mecanismo de apertura se acciona mediante ella y arma se podría abrir accidentalmente.
- Para quitar la vaina de la recámara, o para descargar la munición sin disparar, tire de la palanca del guardamonte para desbloquear el cañón de la báscula. El extractor sacará la vaina y podrá cogerla con los dedos. Tenga en cuenta que el extractor saca parcialmente la vaina de la recámara, no lo expulsa fuera del cañón
- Si un cartucho falla al disparar, espere al menos un minuto con el cañón apuntando en una dirección segura. Abra el arma con mucho cuidado y saque la bala de la recámara para su verificación.

ES

### ¡IMPORTANTE!

#### ***Volver a colocar en posición de descanso un rifle amartillado y cargado***

*Si tiene usted un arma cargada y amartillada y renuncia al disparo, proceda de la siguiente manera para desamartillar y sacar la munición de la recámara:*

1. *Apunte el arma a un lugar seguro.*
2. *Sujete el martillo firmemente.*
3. *Apriete el gatillo con suavidad mientras sujete con firmeza el martillo de modo que no caiga.*
4. *Lleve suavemente el martillo hasta la posición de descanso.*
5. *Suelte el gatillo.*
6. *Suelte el martillo.*
7. *Abra el arma y extraiga la munición.*

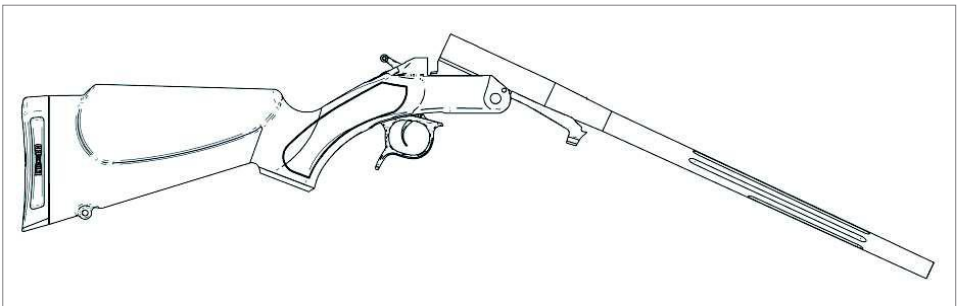
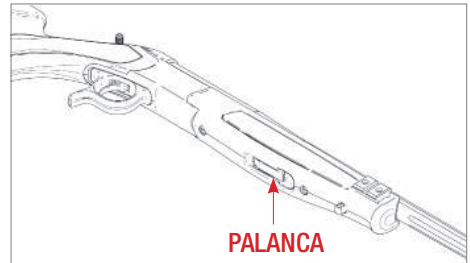
## 5. USO DE MUNICIÓN MILITAR

La munición militar, como puede ser el 5,56 NATO y el 7,62 NATO, generalmente tiene un espesor mayor que la munición civil, como pueden ser el .222 Remington y el .308 Winchester. Existen otras diferencias en la toma de

estrías de la recámara y la presión con la que se suele cargar la munición. Por lo tanto, BERGARA y el Instituto de fabricantes de Armas Pequeñas y Municiones (SAAMI) recomendamos no utilizar munición militar en armas civiles.

## 6. DESMONTAJE DEL CAÑÓN DEL RIFLE

- Retire el guardamano tirando de la palanca situada en la parte de debajo de la misma. Primero haga girar el guardamano y luego tire en dirección a la parte delantera del rifle de ella.
- Una vez retirado el guardamano, tire la palanca del guardamonte para desbloquear el cañón de la báscula. Gire el cañón como si fuera a recargar el rifle.
- Para posicionar de nuevo el cañón, se debe colocar el mismo en posición de recarga y girarlo hasta que quede fijado en la báscula.
- Colocar el guardamano en una posición inclinada y girar hasta que se ancle en el cañón.





## 7. AJUSTE DEL CAÑÓN AL GUARDAMANO DEL RIFLE

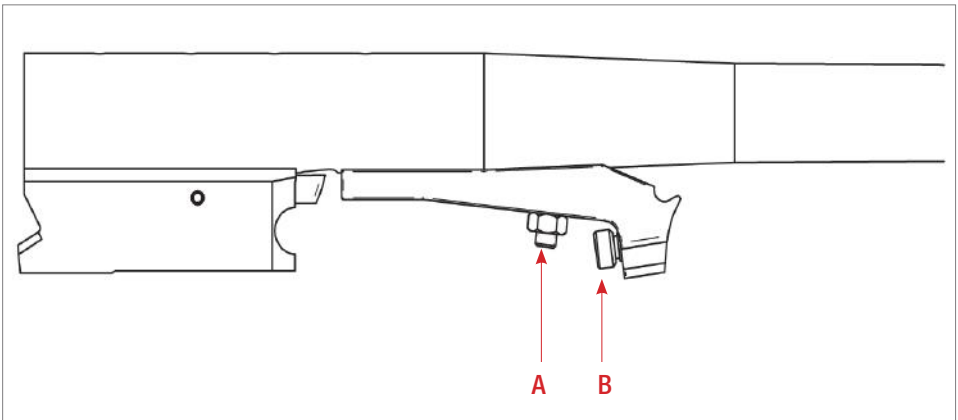
El guardamano viene regulado de fábrica. En el caso de que se produzca un desajuste debido al uso del arma, proceder de la siguiente forma:

- El guardamano tiene una holgura longitudinal después de colocarla. Ajuste el tornillo B del cañón hasta que la holgura desaparezca.
- El guardamano no se puede colocar porque hace tope antes del anclaje y se endurece al presionarlo. Afloje los tornillos A y B hasta que el guardamano se ancle y tenga holgura longitudinal y vertical. Ajuste el tornillo B del cañón hasta quitar

la holgura longitudinal. Después ajuste el tornillo A para que haga tope al anclarse el guardamano.

- El guardamano no se puede colocar porque hace tope antes del anclaje pero no se endurece al presionarlo. Ajuste el tornillo A del cañón hasta que se ancle correctamente.
- El guardamano se ancla, pero si se sigue presionando se endurece y es difícil de quitar. Regule el tornillo A hasta que el guardamano haga tope en ella en el momento de anclarse.

ES



## 8. AJUSTANDO EL ALZA Y LA MIRA

En el caso de que usted haya elegido un rifle BA13 TAKE DOWN equipado con alza y mira de fibra óptica, siga por favor estos consejos para ajustarlos correctamente:

- Afloje el tornillo de las miras para permitir el movimiento y vuelva a apretarlo firmemente.
- Para ajustarlos al punto de impacto de la bala debería disparar al menos 2 veces antes de ajustar.
- Ajuste las miras al centro. La "regla de oro" es mover el alza en la misma dirección que debe moverse el punto de impacto de la bala. En otras palabras, si necesita que el agrupamiento sea más a la derecha, mueva el alza hacia la derecha.
- Afloje el tornillo del alza para permitir el movimiento y vuelva a atarlo después del ajuste.

## 9. BASES PARA LA MIRA TELESCÓPICA

- Los rifles BERGARA vienen taladrados y roscados para facilitar la instalación de la mira telescópica. No perforo agujeros adicionales en el cañón debido a que puede debilitarlo y provocar que estalle, causando lesiones graves o la muerte. Si no utilizamos una base y unos anillos de buena calidad la precisión será insatisfactoria.
- Siga las instrucciones del fabricante de la base al montar las bases y los anillos.
- Utilizar un adhesivo para el ensamblado de las roscas es conveniente, pero no necesario. Si decide utilizar este material, que sea escaso y de baja dureza.
- Asegúrese de que la campana delantera de la mira telescópica no está en contacto con el cañón y de que la parte trasera queda a una distancia adecuada de su ojo para que no resulte herido durante el retroceso.

## 10. LIMPIEZA Y MANTENIMIENTO

Recomendamos que utilice productos de primera calidad específicos para la limpieza de armas. Le recomendamos que limpie desde el extremo trasero del cañón para proteger la punta.

Utilice un cepillo apropiado mojado con disolvente y limpie el cañón con varios movimientos en toda su longitud. Deje que el disolvente actúe durante varios minutos (siga las recomendaciones del fabricante del disolvente). A continuación límpielo con parches secos para eliminar las incrustaciones y el disolvente. Repita el proceso con el disolvente y los parches hasta que estos últimos salgan limpios.

El percutor se puede limpiar y lubricar siguiendo el siguiente proceso:

- Verifique que el arma está desarmada
- Aparte el martillo para dejar el percutor al descubierto
- Quite el tornillo que está encima del percutor
- El percutor y el muelle le seguirán. Reensamble en orden inverso

Este paso sólo es necesario ocasionalmente o si el mecanismo se empapa de agua.

Déle aceite al interior del cañón, al pasador de unión y al exterior del arma para evitar la corrosión.

ES

## 11. ALMACENAMIENTO

A continuación se citan algunos consejos prácticos que se pueden seguir para preservar el rifle de manera adecuada:

- Guarde el arma en una caja fuerte, incluyendo algún método para reducir la humedad relativa dentro de la misma.
- De vez en cuando, retire el arma de su lugar de almacenamiento y límpiela.
- Siga las normas legales de almacenamiento de armas.
- Si va a tener el arma durante un tiempo prolongado en el armero guárdelo sin amartillar, con el muelle del percutor en posición de descanso, que no esté comprimido.

## 12. GARANTÍA

Por favor, dirija sus dudas acerca de la garantía a:

**Info@bergararifles.com**

O por correo ordinario a:

**DIKAR S. Coop**

Ugarte, 26

20570 Bergara - Gipuzkoa (Spain)

El rifle BA13 TAKE DOWN está garantizado contra cualquier defecto de fabricación de por vida. Esta garantía se otorga al comprador original y no es transferible. Esta garantía no cubre el uso y desgaste normal, el acabado del metal o la madera, el abuso o mal uso, los daños materiales, el coste de los inconvenientes o la falta de uso.

Esta garantía le otorga ciertos derechos legales y usted puede tener otros derechos que varían de un estado a otro o de un país a otro. Aparte de los supuestos de anulación de garantía recogidos en los diferentes apartados de este manual, la garantía no tiene validez si:

- Terceras personas han realizado reparaciones no autorizadas en este manual.
- El arma es devuelta en condiciones descuidadas (sucia, con corrosión...).
- Se ha utilizado munición militar, munición recargada o no autorizada por el CIP o SAAMI.
- Daños como consecuencia de no haber respetado las instrucciones dadas en este manual.

El arma viene identificada con su número de serie en el lateral de la carcasa o acción.

***IMPORTANTE: ¡En caso de devolución, asegúrese de que el arma esté descargada!***



Servicio de Asistencia Técnica (SAT):

BERGARA

**DIKAR S. Coop**

Ugarte, 26

20570 Bergara - Gipuzkoa (Spain)

Tel.: +34 943 769 893

[info@bergararifles.com](mailto:info@bergararifles.com)

[www.bergararifles.com](http://www.bergararifles.com)

Facebook: Bergara Rifles Europe

Youtube: bergarainternational



ES

---

BA13

# INHALTSVERZEICHNIS

---

1.- Einleitung	32
2.- Allgemeine Sicherheitshinweise	33-35
3.- Hinweise zu Ihrer Büchse BERGARA BA13 TAKE DOWN	36
4.- Laden und Abfeuern der Büchse BERGARA BA13 TAKE DOWN	37
5.- Verwendung von Militärmunition	38
6.- Demontage des Büchsenlaufs	38
7.- Passen Sie den Lauf an den Vorderschaft der Büchse an	39
8.- Einstellen der Visierung und des Zielfernrohrs	40
9.- Schienen für das Zielfernrohr	40
10.- Reinigung und Wartung	41
11.- Lagerung	41
12.- Garantie	42

DE

# 1. HINWEISE ZUR PFLEGE UND SICHERHEIT

Vielen Dank für den Kauf einer Büchse Bergara BA13 TAKE DOWN.

Wir hoffen, dass diese Büchse Ihren Erwartungen entspricht, Ihren Zwecken dient und Ihnen Jahre lang Freude bereiten wird.

Lesen Sie dieses Handbuch. Der Bediener muss sich mit vielen Eigenschaften vertraut machen, um die Waffe auf sicher benutzen zu können.

*Die Zukunft der Schießsportarten liegt in Ihrer Hand.*

Die Unfälle, die missbräuchliche Verwendung von Schusswaffen usw. werden als Gründe für ein Verbot der Schießsportarten im Allgemeinen und von Waffen im Speziellen betrachtet.

Seien Sie verantwortungsvoll, erhöhen Sie die Sicherheit und achten Sie auf Sicherheitshinweise anderer Schützen.

Sollten Sie nach dem Lesen der in diesem Handbuch beschriebenen Anweisungen und Risiken nicht dazu bereit sein, die Verantwortung zu akzeptieren, die es erfordert, eine Waffe auf sichere Art und Weise zu handhaben und abzufeuern, bringen Sie die Waffe bitte zu Ihrem Händler zurück.

*Um eine sichere Benutzung der Waffe zu gewährleisten, müssen alle Sicherheitsmaßnahmen berücksichtigt werden!*



## 2. ALLGEMEINE SICHERHEITSHINWEISE

### 10 Sicherheitsbestimmungen für die Handhabung Ihrer Waffe

1. Die Mündung der Büchse stets in eine sichere Richtung halten, auch wenn die Büchse entladen ist.
2. Seien Sie sich Ihres Ziels und dem, was dahinter liegt, sicher, bevor Sie auf etwas zielen.
3. Verlassen Sie sich nie auf die mechanischen Sicherheit einer Waffe.
4. Die Waffe muss bis zum Zeitpunkt deren Benutzung entladen sein.
5. Verwenden Sie stets Augen- und Gehörschutz.
6. Der Lauf muss vor dem Laden und dem Schuss frei von jeglicher Blockierung sein.
7. Behandeln Sie jede Waffe so, als wäre sie geladen.
8. Lagern Sie die Waffen und die Munition voneinander getrennt und in einem mit Schlüssel verschlossenem Bereich.
9. Vermeiden Sie vor und während der Benutzung einer Waffe den Konsum von alkoholischen Getränken und Drogen.
10. Verändern oder modifizieren Sie Ihre Waffe nicht. Lassen Sie Ihre Waffe regelmäßig von einem kompetenten Büchsenmacher überprüfen. Versichern Sie sich vor jedem Gebrauch, dass jedes Teil ordnungsgemäß funktioniert.

#### **Gesundheitswarnung:**

*Das Abfeuern einer Waffe und/ oder die Handhabung von Munition in einem wenig belüfteten Bereich kann Bleiexpositionen oder Bleiverbindungen verursachen. Stellen Sie sicher, dass Sie zu jedem Zeitpunkt über eine angemessene Belüftung verfügen.*

*Achten Sie darauf, dass Sie sich nach dem Abfeuern, der Handhabung von Munition oder der Reinigung Ihrer Waffe sorgfältig die Hände waschen.*

*Essen und rauchen Sie während dieser Aktivitäten nicht*

## 2. SICHERHEITSERWÄGUNGEN FÜR ALLE WAFFEN

- Rauchen Sie niemals während des Schießens oder der Handhabung einer Waffe oder damit verbundener Materialien. Die Asche oder die Funken können ein Entzünden des Schießpulvers oder der Patronen verursachen, das zu Verletzungen oder zum Tod führen kann.
- Verwenden Sie stets eine Schutzbrille. Es ist möglich, dass bei der Benutzung der Büchse Partikel aus dem Patronenlager oder der Mündung der Waffe überspringen.
- Überprüfen Sie die Waffe stets vor dem Gebrauch, um sich zu vergewissern, dass sich diese in einem guten Betriebszustand befindet. Prüfen Sie vor dem Laden sorgfältig den Abzug und das Öffnungssystem. Überprüfen Sie, dass der Lauf nicht blockiert ist. Jede Blockierung kann zur Explosion führen und schwere Verletzungen oder den Tod verursachen.
- Laden Sie niemals eine Waffe, bevor Sie nicht schussbereit sind. Die Patrone muss beim Gehen, beim Klettern auf Bäume oder Umzäunungen, bei der Übergabe der Waffe von einer Person zur anderen, beim Überspringen einer Wand oder eines Zauns usw. entfernt werden.
- Lehnen Sie eine Waffe niemals gegen die Wand, einen Baum, ein Fahrzeug oder eine andere Oberfläche. Der Sturz einer geladenen Waffe kann das unbeabsichtigte Auslösen der Waffe verursachen und zu schweren Verletzungen oder zum Tod führen.
- Transportieren Sie niemals eine geladene Waffe in einem Fahrzeug. Die Waffe wird als geladen betrachtet, solange sich die Patrone in dem Patronenlager befindet.
- Bewahren Sie niemals eine geladene Waffe auf. Die Waffe muss entladen sein und vor einer jeden Lagerung gereinigt werden.
- Laden Sie niemals eine Waffe, ohne sich zuvor zu vergewissern, dass der Lauf sauber und frei von Blockierungen ist. Fällt die Waffe versehentlich zu Boden, überprüfen Sie, dass der Lauf nicht blockiert wurde.
- Seien Sie bei der Jagd von einem Hochstand aus sehr vorsichtig. Das versehentliche Herunterfallen einer Waffe kann einen Schuss auslösen, der zu schweren Verletzungen oder zum Tod führen kann. Versichern Sie sich, dass die Waffe vor dem Hoch- oder Herunterklettern eines Baumes entladen ist.
- Verlassen Sie sich nie auf die mechanischen Sicherheit einer Waffe! Die mechanischen Geräte können versagen und tun dies auch. Die Waffen müssen unabhängig von der Stellung oder dem mechanischen Zustand der Sicherung stets wie eine schussbereite Waffe gehandhabt werden.
- Wenden Sie stets geeignete Reinigungsverfahren an. Das Abfeuern eines Laufs mit schlechtem Wartungszustand oder mit Korrosion kann gefährliche Druckbedingungen bzw. eine Explosion des Laufs verursachen und zu schweren Verletzungen oder zum Tod führen.
- Richten Sie den Lauf niemals gegen etwas, das Sie nicht beschädigen möchten. Stellen Sie beim Tragen der Waffe über der Schulter sicher, dass die Mündung des Laufs nach oben zeigt.

## 2. SICHERHEITSERWÄGUNGEN FÜR ALLE WAFFEN

- Versuchen Sie nicht, die Innenteile Ihrer Waffe zu verändern. Sollten Sie dies tun, kann es zu einer gefährlichen Situation kommen, die ein versehentliches Auslösen der Waffe hervorruft und zu schweren Verletzungen oder zum Tod führen kann. Diese Änderungen führen im Allgemeinen zum Erlöschen der Garantie.
- Lassen Sie die Waffe nicht unbeaufsichtigt oder in Reichweite von Kindern. In einigen Ländern steht dies per Gesetz unter Strafe.

### Sie sind für die Sicherheit Ihrer Waffe verantwortlich!

*Als Eigentümer der Waffe müssen Sie eine Reihe von Pflichten akzeptieren. Sie sollten Ihre Büchse aufgrund derer potenziellen Gefahren zu jedem Zeitpunkt mit größtem Respekt bedienen.*

*Lesen und verstehen Sie die Funktionen und die Terminologie, die in diesem Buch erläutert werden, bevor Sie versuchen, Ihre Büchse BEFIGARA zu benutzen.*

DE

### Zu Ihrer Sicherheit und die der Anderen!

*BERGARA empfiehlt Ihnen, an einem zertifizierten Sicherheitskurs für Jäger teilzunehmen, bevor Sie Ihre Waffe benutzen.*

*Erfragen Sie bei Ihren Behörden die Informationen zu den verfügbaren Kurse.*

*Auch wenn es nicht Ihre Absicht ist, auf die Jagd zu gehen, können die in einem Sicherheitskurs für Jäger erhaltenen Informationen Ihnen dabei helfen, schwere oder tödliche Unfällen zu vermeiden.*

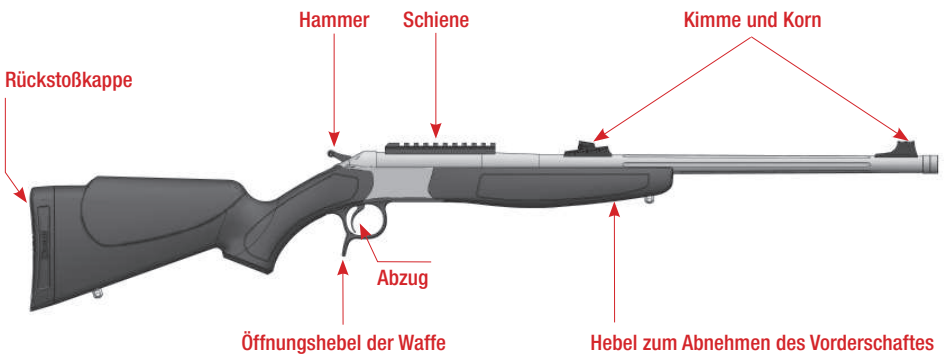
### 3. HINWEISE ZUR BÜCHSE BERGARA BA13TAKE DOWN

Die BA13 TAKE DOWN ist eine Büchse, die darauf ausgelegt ist, einfach, schnell und ohne den Einsatz von jeglichen Werkzeugen demontiert zu werden.

Der Versuch, einen Lauf eines anderen Büchsenmodells oder einen von dem Bediener veränderten Lauf zu montieren, kann als Unsicherheitsfaktor betrachtet werden. Diese Änderungen

führen im Allgemeinen zum Erlöschen der Garantie.

Sollten Sie Anlass zu der Annahme haben, dass Ihr Lauf nicht dem diesen Modell entsprechenden Original entspricht, setzen Sie sich bitte telefonisch mit BERGARA in Kontakt, um dies zu überprüfen



## 4. LADEN UND ABFEUERN DER BÜCHSE

- Entfernen Sie vor der Benutzung der Büchse die Reste des Reinigungsöls des Laufs, um einen Überdruck zu vermeiden.
- Ziehen vor dem Laden der Büchse den Hebel des Abzugsschlusses, um den Lauf zu entriegeln. Der Lauf wird nach vorne gerichtet, um den Zugriff auf das Patronenlager zu ermöglichen. Stellen Sie sicher, dass der Lauf nicht verstopft ist, indem Sie diesen durchblicken. Dies ermöglicht Ihnen die Inspektion, Reinigung oder das Laden.
- Stellen Sie sicher, dass die Munition, die Sie auswählen, vom selben Kaliber ist, wie auf der Seite des Laufs gekennzeichnet.
- Geben Sie die Munition mit dem Lauf in eine sichere Richtung zeigend in das Patronenlager ein und schließen Sie das System.
- Senken Sie den Hammer mit dem Lauf in eine sichere Richtung zeigend, visieren Sie das Ziel an und ziehen Sie sanft den Abzug, um abzufeuern. Schießen Sie mit abgestützter Waffe, versichern Sie sich, dass Sie diese nicht auf dem Abzugsschloss abstützen, da der Öffnungsmechanismus mittels dieser ausgelöst wird und die Waffe sich unbeabsichtigt öffnen könnte.
- Um die Hülse aus dem Patronenlager zu entfernen oder die Munition zu entladen ohne abzufeuern, ziehen Sie den Hebel des Abzugsschlusses, um den Lauf der Waage zu entriegeln. Der Auszieher wirft die Hülse aus und Sie können diese mit den Fingern greifen. Beachten Sie, dass der Auszieher die Hülse teilweise aus dem Patronenlager auswirft und nicht aus dem Lauf ausstößt
- Feuere eine Patrone nicht ab, warten Sie mindestens eine Minute mit dem Lauf in eine sichere Richtung zeigend. Öffnen Sie die Waffe sehr vorsichtig und entfernen Sie das Geschoss zu deren Überprüfung aus dem Patronenlager.

### WICHTIG!

#### ***Eine gespannte und geladene Büchse wieder in Ruhestellung bringen***

*Haben Sie eine geladene und gespannte Waffe, die nicht abfeuert, verfahren Sie wie folgt, um diese zu entspannen und die Munition aus dem Patronenlager zu entfernen:*

- 1. Richten Sie die Waffe auf einen sicheren Ort.*
- 2. Greifen Sie den Hammer fest.*
- 3. Drücken Sie leicht den Abzug während Sie den Hammer fest greifen, sodass dieser nicht herunterfällt.*
- 4. Bewegen Sie den Hammer sanft auf die Ruhestellung.*
- 5. Ziehen Sie den Abzug.*
- 6. Lösen Sie den Hammer.*
- 7. Öffnen Sie die Waffe und entnehmen Sie die Munition*

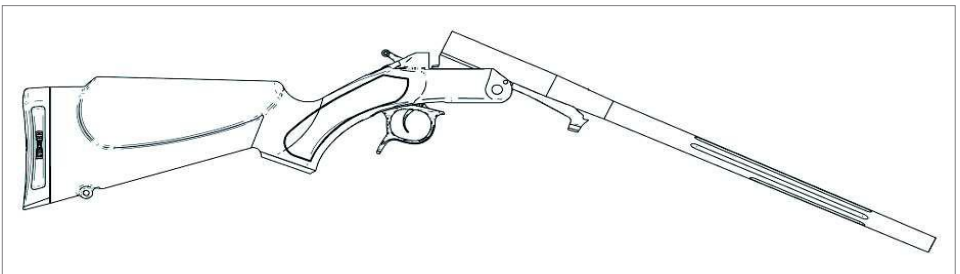
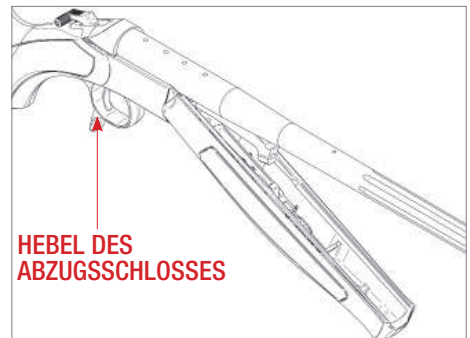
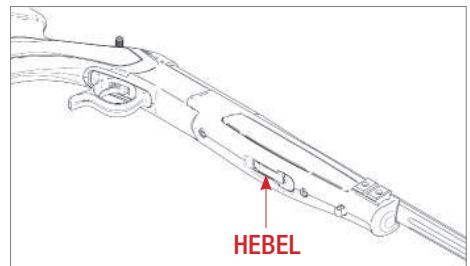
## 5. VERWENDUNG VON MILITÄRMUNITION

Die Militärmunition, wobei es sich um die 5,56 NATO und die 7,62 NATO handeln kann, hat im Allgemeinen eine größere Dicke als die Zivilmunition, wobei es sich um die .222 Remington und die .308 Winchester handeln kann. Es gibt weitere Unterschiede in den Abmessungen

des Patronenlagers und dem Druck, mit dem die Munition für gewöhnlich geladen wird. Aus diesem Grund empfehlen BERGARA und das Sporting Arms and Ammunition Manufacturers' Institute (SAAMI), keine Militärmunition in Zivilwaffen zu verwenden.

## 6. DEMONTAGE DES BÜCHSENLAUFS

- Entfernen Sie den Vorderschaft durch Ziehen des Hebels, der sich im unteren Teil desselben befindet. Drehen Sie zunächst den Vorderschaft und ziehen Sie diesen dann in Richtung des vorderen Teils der Büchse.
- Ziehen Sie sobald der Vorderschaft entfernt worden ist den Hebel des Abzugsschlusses, um den Lauf zu entriegeln. Drehen Sie den Lauf so, als ob Sie die Büchse nachladen würden.
- Um den Lauf erneut zu positionieren, muss dieser in Ladestellung gebracht und gedreht werden, bis dieser am System befestigt ist.
- Den Vorderschaft in eine Schräglage bringen und drehen, bis dieser sich in dem Lauf verankert.



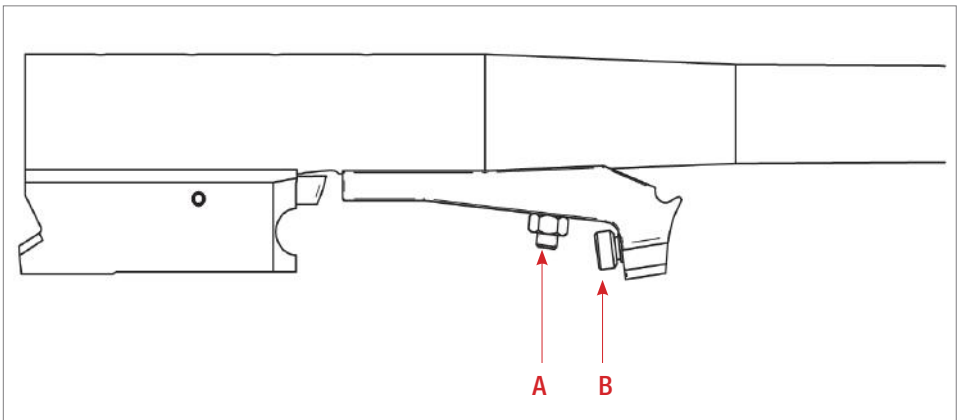
## 7. PASSEN SIE DEN LAUF AN DEN VORDERSCHAFT AN

Der Vorderschaft wird ab Werk reguliert geliefert. Für den Fall, dass aufgrund der Verwendung der Waffe eine Dejustierung auftritt, verfahren Sie wie folgt:

- Der Vorderschaft hat nach dessen Befestigung ein Längsspiel. Stellen Sie die Schraube B des Laufs ein, bis das Spiel verschwindet.
- Der Vorderschaft kann nicht befestigt werden, da dieser vor der Verankerung anschlägt und erhärtet sich bei dessen Zusammendrücken. Lockern Sie die Schrauben A und B, bis sich der Vorderschaft verankert und Längs- und Vertikalspiel hat. Stellen Sie die Schraube B des Laufs ein, bis das Längsspiel verschwin-

det. Stellen Sie danach die Schraube A ein, damit diese bei der Verankerung des Vorderschaftes anschlägt.

- Der Vorderschaft kann nicht befestigt werden, da dieser vor der Verankerung anschlägt, erhärtet sich aber bei dessen Zusammendrücken nicht. Stellen Sie die Schraube A des Laufs ein, bis dieser korrekt verankert ist.
- Der Vorderschaft verankert sich, erhärtet sich aber bei fortwährendem Drücken und ist schwer zu entfernen. Regulieren Sie die Schraube A, bis der Vorderschaft zum Zeitpunkt der Verankerung an diese anschlägt.



## 8. EINSTELLEN VON KIMME UND KORN

Für den Fall, dass Sie sich für eine Büchse BA13 TAKE DOWN entschieden haben, die mit Kimme und Korn aus Glasfasern ausgestattet ist, folgen Sie zu deren korrekter Einstellung bitte diesen Empfehlungen:

- Lockern Sie die Schraube, um die Bewegung zu ermöglichen und ziehen Sie diese wieder fest an.
- Um den Treffpunkt des Geschosses einzusetellen, sollten Sie mindestens 2 Mal vor der Einstellung abfeuern.
- Stellen Sie die Kimme zentral ein. Die "goldene Regel" lautet, die Kimme in dieselbe Richtung zu bewegen, in die der Treffpunkt des Geschosses bewegt werden muss. Sollte es mit anderen Worten erforderlich sein, dass sich die Gruppierung weiter rechts befindet, bewegen Sie die Kimme nach rechts.
- Lockern Sie die Schraube der Kimme, um die Bewegung zu ermöglichen und ziehen Sie diese nach der Einstellung wieder fest.

## 9. SCHIENEN FÜR DAS ZIELFERNROHR

- Die Büchsen BERGARA werden gebohrt und geschraubt geliefert, um die Installation des Zielfernrohrs zu erleichtern. Bohren Sie keine zusätzlichen Löcher in den Lauf, da dieser dadurch geschwächt werden und explodieren kann, was zu schweren Verletzungen oder zum Tod führen kann. Verwenden wir keine qualitativ hochwertige Schiene und Ringe, wird die Präzision unbefriedigend sein.
- Folgen Sie bei der Montage der Schienen und der Ringe den Anweisungen des Herstellers der Schienen und Ringe.
- Die Verwendung eines Klebstoffes zur Montage der Gewinde ist sinnvoll, aber nicht notwendig. Sollten Sie sich dazu entscheiden, verwenden Sie wenig und einen nicht zu harten Klebstoff.
- Stellen Sie sicher, dass der vordere Teil des Zielfernrohrs keinen Kontakt mit dem Lauf hat und dass der hintere Teil einen angemessenen Abstand von Ihrem Auge hat, damit dieses während des Rückstoßes nicht verletzt wird.



## 10. REINIGUNG UND WARTUNG

Wir empfehlen Ihnen, hochwertige Produkte zu verwenden, die speziell auf die Reinigung von Waffen ausgerichtet sind. Wir empfehlen Ihnen, vom hinteren Ende des Laufs aus zu reinigen, um die Mündung zu schützen.

Verwenden Sie eine geeignete, mit Lösungsmittel befeuchtete Bürste und reinigen Sie den Lauf mit verschiedenen Bewegungen in deren gesamten Länge. Lassen Sie das Lösungsmittel einige Minuten einwirken (folgen Sie den Empfehlungen des Herstellers des Lösungsmittels). Reinigen Sie im Anschluss mit trockenen Patches, um die Verkrustungen und das Lösungsmittel zu entfernen. Wiederholen Sie den Vorgang mit dem Lösungsmittel und den Patches, bis diese letztgenannten keinen Schmutz mehr aufnehmen.

Der Schlagbolzen kann gemäß des folgenden Vorgangs gereinigt und geschmiert werden:

- Stellen Sie sicher, dass die Waffe demontiert ist
- Trennen Sie den Hammer, um den Schlagbolzen freizulegen
- Entfernen Sie die Schraube, die sich über dem Schlagbolzen befindet
- Die Schlagbolzen und die Feder folgen dieser. Demontage in umgekehrter Reihenfolge

Dieser Schritt ist nur gelegentlich erforderlich oder falls der Mechanismus mit Wasser durchtränkt wird.

Geben Sie Öl in das Innere des Laufs, auf die Verbindungsbolzen und das Äußere der Waffe, um die Korrosion zu vermeiden.

DE

## 11. LAGERUNG

Im Anschluss werden einige praktische Ratschläge genannt, denen Folge geleistet werden kann, um die Büchse auf angemessene Art und Weise aufzubewahren:

- Bewahren Sie die Waffe in einem Safe einschließlich einer Methode zur Reduktion der relativen Luftfeuchtigkeit innerhalb desselben auf.
- Entnehmen Sie die Waffe gelegentlich ihrem Lagerort und reinigen Sie diese.
- Befolgen Sie die rechtlichen Vorschriften bezüglich der Waffenlagerung.
- Sollten Sie die Waffe längere Zeit aufbewahren, immer mit entriegeltem Schlagbolzen lagern, damit die Federn durch das Spannen nicht Ihre Funktion vermindern.

## 12. GARANTIE

Bitte richten Sie Ihre Fragen bezüglich der Garantie an: [info@bergararifles.com](mailto:info@bergararifles.com)

Oder per Post an: **DIKAR S. Coop**  
Ugarte, 26  
20570 Bergara - Guipúzcoa (Spanien)

Die Büchse BA13 TAKE DOWN ist auf Lebenszeit gegen alle Herstellungsfehler versichert. Diese Garantie gilt ausschließlich für den Erstkäufer und ist nicht übertragbar. Diese Garantie deckt keine Abnutzung und üblichen Verschleiß, die Verarbeitung des Metalls oder des Holzes, den unsachgemäßen oder zweckentfremdeten Gebrauch, Sachschäden, die Kosten für entstandene Benachteiligungen oder die Nichtbenutzung ab.

Diese Garantie verleiht Ihnen bestimmte gesetzliche Rechte, und Sie können möglicherweise auch andere Rechte haben, die von Staat zu Staat oder von Land zu Land variieren. Neben den in den verschiedenen Abschnitten dieses Handbuchs genannten Fällen der Garantierücknahme entfällt der Anspruch auf Garantie auch, wenn:

- Dritte Personen Reparaturen vorgenommen haben, die in diesem Handbuch nicht autorisiert werden.
- Die Waffe in ungepflegtem Zustand zurückgegeben wird (schmutzig, mit Korrosion...).
- Militärmunition, wiederverwendete Munition oder durch CIP oder SAAMI nicht autorisierte Munition verwendet wurde.
- Schäden als Folge der Nichtbeachtung der in diesem Handbuch gegebenen Anweisungen auftreten.

Die Waffe wird mit Identifikation durch deren Seriennummer an der Seite des Gehäuses oder Kammer geliefert.

***WICHTIG: Achten Sie im Falle der Rückgabe darauf, dass die Waffe entladen ist!***



Technischer Kundendienst (SAT):

BERGARA

**DIKAR S. Coop**

Ugarte, 26

20570 Bergara - Guipúzcoa (Spanien)

Tel.: +34 943 769 893

[info@bergararifles.com](mailto:info@bergararifles.com)

[www.bergararifles.com](http://www.bergararifles.com)

Facebook: Bergara Rifles Europe

Youtube: bergarainternational



DE

---

BA13

# SOMMAIRE

---

1.- Introduction	46
2.- Sécurité en general	47-49
3.- Introduction de votre carabine BERGARA BA13 TAKE DOWN	50
4.- Chargement et tir avec la BERGARA BA13 TAKE DOWN	51
5.- Usage de munitions militaires	52
6.- Démontage du canon de la carabine	52
7.- Réglage du canon sur le garde main	53
8.- Régler la hausse et la dérive	54
9.- Montage d'une lunette de tir	54
10.- Nettoyage et entretien	55
11.- Stockage	55
12.- Garantie	56

FR

# 1. AVERTISSEMENTS DE PRUDENCE ET SÉCURITÉ

Merci d'avoir acheté une carabine BA 13 TAKE DOWN

Nous espérons que cette carabine comblera toutes vos attentes, et qu'elle vous serve durant plusieurs années toujours avec la même satisfaction.

Lisez ce manuel. Il y a beaucoup de caractéristiques auxquelles vous devez vous familiariser pour pouvoir utiliser l'arme de façon la plus sûre et sécuritaire.

*L'avenir du tir sportif dépend de vous...*

Les accidents, et le mauvais usage des armes à feu, sont des raisons pour interdire le tir en général et les armes en particulier.

Vous serez responsable, recherchez la sécurité et prêtez attention aux conseils de sécurité des autres camarades de tir.

Si après avoir lu les instructions, avertissements et risques détaillés dans ce manuel, vous n'êtes pas capable d'accepter les responsabilités de la manipulation et du tir avec une arme de façon sécuritaire, retournez l'arme dans le lieu où vous l'avez acheté.

*Vous devez prendre en compte toutes les mesures de sécurité pour que l'utilisation de l'arme soit sécuritaire.*

## 2. SÉCURITÉ EN GÉNÉRAL

### 10 règles de sécurité pour le maniement de votre arme

1. Maintenez toujours la bouche de l'arme pointée vers une direction sûre, même si l'arme est déchargée.
2. Soyez sûr de votre cible et de ce qu'il y a derrière, avant de viser à n'importe quel endroit.
3. Ne jamais se fier à la sécurité mécanique d'une arme.
4. L'arme doit être déchargée tant qu'elle n'est pas utilisée.
5. Utilisez toujours des protections auditives et oculaires.
6. Le canon ne doit pas être obstrué avant le chargement ou le tir
7. Manier toutes armes comme si elle était chargée
8. Stockez les armes et les munitions séparément et dans un endroit fermé à clé
9. Evitez de consommer de l'alcool ou de la drogue avant et pendant l'usage d'une arme.
10. Ne modifiez pas votre arme, révisez votre arme régulièrement chez un armurier compétent. Assurez-vous que toutes les pièces fonctionnent avant tout usage.

#### **Avertissements sanitaires :**

*Tirer avec une arme dans une pièce peu ventilée ou manipuler des munitions pourrait causer une exposition au plomb. Assurez-vous de disposer d'une bonne ventilation à tous moments.*

*Lavez vous bien les mains après avoir tiré, manipulé des munitions ou après avoir nettoyé votre arme.*

*Ne pas manger ou fumer durant ces opérations.*

## 2. ÉLÉMENTS DE SÉCURITÉ POUR TOUTES LES ARMES

- Ne jamais fumer durant le tir ou le maniement d'une arme ou matériel en relations avec les armes. Les étincelles ou les cendres pourraient faire enflammer la poudre ou les cartouches, provoquant des blessures graves ou la mort.
- Utilisez toujours des protections pour les yeux. Il est possible qu'il sorte des particules de la chambre ou de la bouche de l'arme quand on utilise n'importe quelle carabine.
- Toujours réviser son arme avant de l'utiliser pour s'assurer qu'elle est en bon état de fonctionnement, testez la détente et le système d'ouverture avec précaution avant de charger. Vérifiez que le canon n'est pas obstrué. Toute obstruction pourrait faire exploser le canon causant de graves blessures ou la mort.
- Ne jamais charger une arme avant d'être prêt à tirer. Vous devez retirer les munitions avant de marcher, monter dans un arbre, passer l'arme à une autre personne, sauter un fossé ...
- Ne jamais appuyer une arme contre un mur, un arbre, un véhicule ... une arme chargée qui tombe peut provoquer un tir accidentel de l'arme, pouvant causer de graves blessures ou la mort.
- Ne jamais transporter d'armes chargées dans n'importe quel type de véhicule. Une arme est considérée chargée si une munition est chargée.
- Ne jamais ranger ou stocker une arme chargée. Une arme doit être déchargée et nettoyée avant tout stockage.
- Ne jamais charger une arme sans être sûr que le canon est propre et sans obstructions. Si vous faites tomber votre arme par accident, assurez-vous que rien n'est venu obstruer votre canon.
- Soyez très prudent quand vous chassez depuis un arbre. La chute accidentelle d'une arme pourrait provoquer un tir qui pourrait causer de graves blessures ou la mort. Assurez-vous que l'arme est déchargée avant de descendre de l'arbre.
- Ne jamais se fier à la sécurité mécanique de l'arme ! Les éléments mécaniques pourraient ne pas fonctionner. Considérez toujours une arme comme si elle était chargée, manipulez-la comme si elle était prête à faire feu.
- Utilisez toujours des procédés de nettoyages de l'arme adaptée. Tirer avec un canon mal entretenu ou avec de la corrosion pourrait conduire à des conditions de pressions dangereuses et faire exploser le canon, causant de graves blessures ou la mort.
- Ne jamais diriger la bouche du canon en direction d'une personne. Lorsque vous portez la carabine en bandoulière dirigez toujours le canon vers le haut.
- N'essayez pas de modifier les parties internes de votre arme. Si vous le faites, vous pouvez causer une situation dangereuse causant un tir accidentel avec risque de graves blessures ou la mort. Ce genre de modifications entraîne en général l'annulation de la garantie.
- Ne laissez pas d'armes sans vigilance ou à la portée des enfants. Dans certains pays c'est puni par la loi.



## 2. ELÉMENTS DE SÉCURITÉ POUR TOUTES LES ARMES

### Vous êtes le responsable de la sécurité de votre arme!

*En tant que propriétaire d'armes, vous devez accepter une série de responsabilités.*

*A n'importe quel moment, vous devrez manœuvrer votre carabine en prenant en*

*considération le danger potentiel qu'elle représente.*

*Lisez tous les conseils expliqués dans ce livre avant d'utiliser votre carabine Bergara.*

### Pour votre sécurité et celle des autres!

*BERGARA vous suggère de participer à un cours certifié sur la sécurité des chasseurs, avant de commencer à utiliser votre arme.*

*Renseignez-vous auprès des autorités compétentes de la disponibilité de cours sur la sécurité.*

*Même si vous n'avez pas l'intention de chasser des animaux, les conseils donnés dans un cours pour la sécurité du chasseur pourraient vous aider à prévenir des accidents graves ou mortels.*

FR

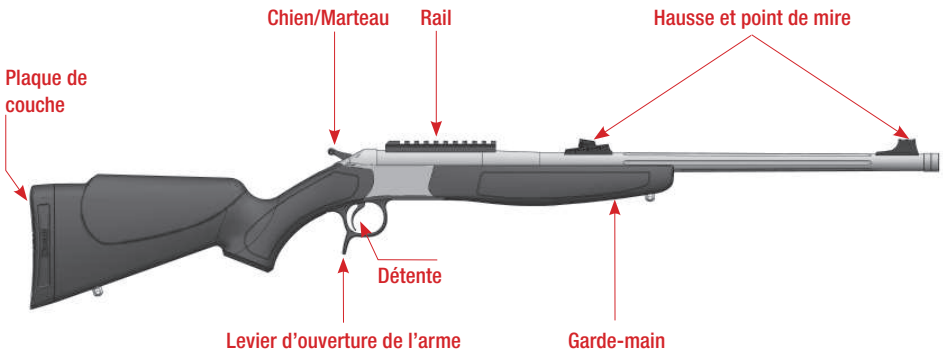
### 3. INTRODUCTION DE VOTRE CARABINE BA13 TAKE DOWN

La BA13 TAKE DOWN est une carabine conçue pour être démontée facilement, rapidement et sans aucun outil.

Monter un canon d'un autre modèle de carabine ou un canon modifié par l'utilisateur pourrait être considéré comme une condition pas sécu-

ritaire. Ces modifications entraînent en général l'annulation de la garantie.

Si vous pensez que votre canon n'est pas le canon d'origine de ce modèle vous pouvez appeler BERGARA pour le vérifier.



## 4. CHARGEMENT ET TIR AVEC LA BA13 TAKE DOWN

- Avant d'utiliser la carabine nettoyez les restes d'huile dans le canon pour éviter une surpression.
- Avant de charger la carabine, tirez le levier du garde main pour débloquer le canon de la bascule. Regardez dans le canon pour vous assurer qu'il n'y a rien dans la chambre ou dans le canon. Ceci vous permettra de d'inspecter, nettoyer ou charger la carabine.
- Assurez-vous que la munition est du même calibre que le marquage sur le canon.
- Dirigez le canon dans une direction sûre puis insérez la munition dans la chambre, ensuite fermez la bascule
- Dirigez le canon vers une direction sûre puis armez le chien. Regardez votre cible et tirez délicatement sur la détente pour effectuer le tir. si vous tirez sur appuis, assurez-vous que le pontet n'est pas appuyé sinon le mécanisme d'ouverture pourrait se déverrouiller et l'arme pourrait s'ouvrir accidentellement.
- Pour retirer la douille de la chambre, ou pour décharger la munition sans tirer, ouvrez le levier du pontet pour débloquer la bascule du canon. L'extracteur sortira la douille et vous pourrez la récupérer avec les doigts. Prenez en considération que l'extracteur sort partiellement la douille du canon et ne l'éjecte pas directement du canon.
- Si une cartouche est défectueuse au tir, attendez environ une minute avec le canon dirigé vers une direction sûre. Ouvrez le canon avec beaucoup de prudence et sortez la balle pour la vérifier.

FR

### IMPORTANT!

#### ***Remettre en position de repos une carabine chargée avec le chien actionné***

*Si vous utilisez une arme chargée et avec le chien actionné et que vous renoncer au tir, procédez de la manière suivante pour désarmer la carabine et sortir la munition de la chambre :*

- 1. Dirigez l'arme vers un lieu sûr*
- 2. Tenez le chien fermement*
- 3. Appuyez sur la détente doucement tout en tenant le chien fermement de façon à ce qu'il ne frappe pas le percuteur.*
- 4. Descendez doucement le chien jusqu'à sa position de repos.*
- 5. Relâchez la détente.*
- 6. Relâchez le chien.*
- 7. Ouvrez l'arme et sortez la munition.*

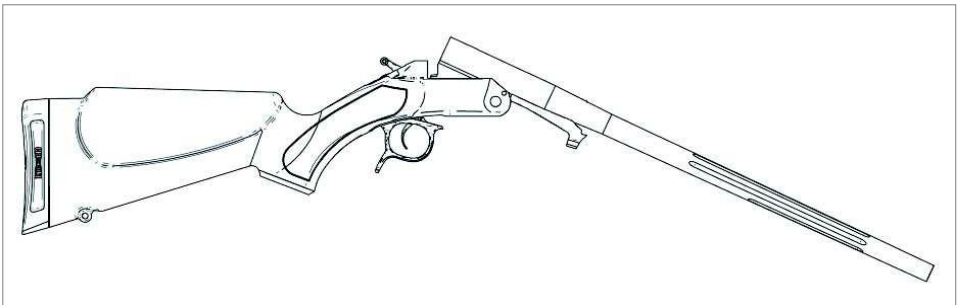
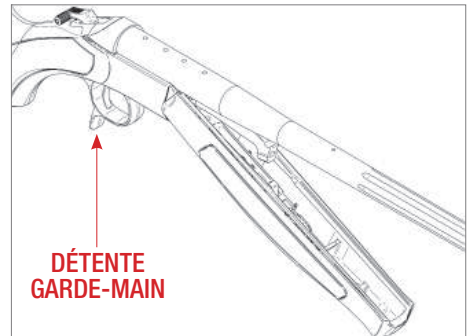
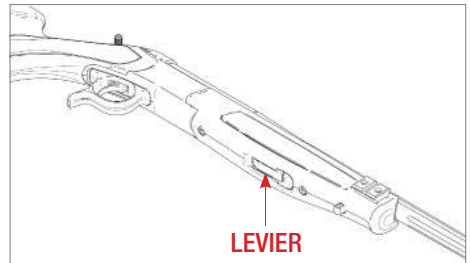
## 5. USAGE DE MUNITIONS MILITAIRES

La munition militaire comme le 5.56 NATO ou le 7.62 NATO sont généralement différentes des munitions civiles comme le 222 Remington ou le 308 Winchester. Il y a aussi des différences sur la prise de rayure de la chambre

et les pressions de chargement de ces munitions. Ainsi Bergara et l'institut de fabrications d'armes et de munitions recommandent de ne pas utiliser de munitions militaires dans les armes civiles.

## 6. DÉMONTAGE DU CANON DE LA CARABINE

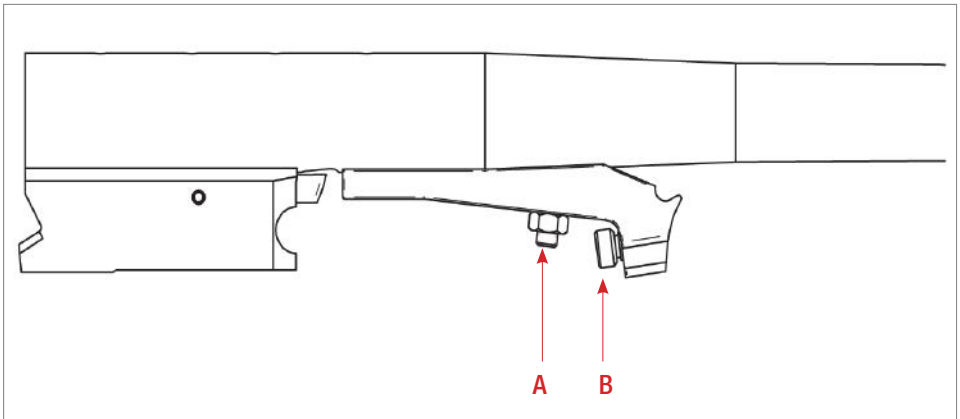
- Retirez le garde main en tirant sur le levier situé sur le dessous du garde main et en tirant sur la partie avant du garde main
- Une fois retiré le garde main, tirez le levier du pontet pour démonter le canon. Enlevez le canon comme si vous ouvriez le canon pour recharger la carabine.
- Pour remettre le canon vous devez le remettre en position comme quand vous rechargez votre carabine et ensuite fermer le canon de façon à ce qu'il soit bloqué dans la bascule.
- Remplacez le garde main dans sa position, sous le canon et enfoncez le jusqu'à ce qu'il s'enclenche.



## 7. AJUSTAGE DU CANON AU GARDE MAIN DE LA CARABINE

Le garde main est réglé d'usine. Au cas où il se produirait un dérèglement vous devrez procéder de la façon suivante :

- Le garde main a du jeu sur la longueur, ajustez la vis B du canon jusqu'à ce que le jeu entre le canon et le garde main disparaisse.
- Le garde main ne peut pas s'enclencher parce qu'il est à fond avant de s'enclencher dans son logement. Vissez les vis A et B jusqu'à ce que le garde main s'enclenche. Ensuite ajustez la vis B pour perdre le jeu en longueur et ajustez la vis A pour perdre le jeu vertical et que le garde main s'enclenche parfaitement.
- Le garde main ne peut pas se clipser sur le point d'ancrage lorsque vous le pressez, dans ce cas, ajustez la vis A sur le canon jusqu'à ce que le garde main s'enclenche correctement.
- Le garde main s'enclenche mais il est difficile à retirer. Réglez la vis A jusqu'à ce que le garde main soit enclenché à fond dans son logement.



## 8. RÉGLER LA HAUSSE ET LA DÉRIVE

Si vous avez choisi une carabine BA13 TAKE DOWN équipé d'une hausse et d'une mire en fibre optique, veuillez suivre les conseils suivants pour les régler correctement :

- Desserrez la vis de la mire pour permettre de la déplacer, à la fin serrez-la fermement.
- Pour régler en fonction du point d'impact de vos balles vous devrez tirer minimum 2 fois avant de régler.
- Ajustez la mire au centre. Puis déplacez la hausse dans la même direction que vous devez bouger le point d'impact de vos balles. En outre si votre groupement doit être plus à droite, déplacez la hausse vers la droite.
- Desserrez la vis de la hausse pour pouvoir la déplacer et penser à la serrer fermement une fois les réglages effectués.

## 9. BASES DE MONTAGE DE LA LUNETTE DE TIR

- Les carabines BERGARA sont livrées taraudées et filetées pour le montage facile d'une lunette de tir. ne taraudez pas d'autres trous dans le canon qui pourraient le fragiliser et le faire éclater, causants de graves blessures ou la mort. Si vous n'utilisez pas un bon rail et des vis de bonne qualité, la précision sera insatisfaisante.
- Suivez les instructions du fabricant pour monter votre embase.
- Utilisez une colle pour coller votre embase et vos vis est intéressant, mais pas nécessaire. Si vous décidez de les coller utilisez une colle pas trop forte et mettez en très peu.
- Assurez-vous que l'objectif de votre lunette n'est pas en contact avec le canon et que la distance oculaire est assez importante entre votre œil et la lunette lors du tir, pour éviter de recevoir la lunette dans le visage avec le recul.

## 10. NETTOYAGE ET ENTRETIEN

Nous recommandons d'utiliser un produit de bonne qualité spécifique pour le nettoyage des armes. Nous vous recommandons de nettoyer le canon depuis la chambre pour protéger la bouche du canon. Utilisez une brosse appropriée humidifiée avec un dissolvant et nettoyez le canon sur toute sa longueur. Laissez le dissolvant agir quelques minutes (en fonction des indications du fabricant). Ensuite nettoyez-le avec un tampon sec pour éliminer les incrustations et le reste de dissolvant. Répétez l'opération avec le dissolvant et les tampons jusqu'à ce que les tampons sortent propres.

Le percuteur peut être nettoyé et lubrifié selon le processus suivant :

- Vérifiez que l'arme est déchargée
- Armez le chien pour laisser le percuteur libre.
- Dévissez la vis qui est au-dessus du percuteur.
- Le percuteur et le ressort peut ainsi sortir. Réassemblez les éléments dans l'ordre inverse.

Ce nettoyage est nécessaire seulement occasionnellement ou si le mécanisme a pris l'eau. Mettez de l'huile dans le canon, sur la bascule et à l'extérieur de l'arme pour éviter la corrosion.

FR

## 11. STOCKAGE

Quelques conseils pratiques que vous pourriez suivre pour conserver votre carabine de manière adéquate :

- Stockez votre arme dans une chambre forte, et mettez un dispositif pour réduire l'humidité.
- De temps en temps, retirez l'arme de son lieu de stockage et nettoyez là.
- Suivez les normes de stockage des armes.
- Si vous stockez l'arme pendant longtemps sans l'utiliser, gardez-la avec le percuteur abaissé pour éviter de fatiguer les ressorts de percuteurs.

## 12. GARANTIE

Si vous avez des questions à propos de la garantie, vous pouvez contacter :

**info@bergararifles.com**

Ou par courrier postal au :

**DIKAR S. Coop**

Ugarte, 26

20570 Bergara - Guipúzcoa (Espagne)

La carabine BA13 TAKE DOWN est garantie à vie pour tous types de défauts de fabrication. Cette garantie est applicable seulement pour l'acheteur original et n'est pas transférable. Cette garantie ne couvre pas l'usure normale et les dommages normaux, les finitions du métal ou du bois, un usage abusif ou une mauvaise utilisation, les dommages matériels, le cout des désagréments subis ou le fait de ne pas utiliser l'arme.

Cette garantie est octroyée pour certains droits en fonction de la loi, et vous pourriez bénéficier d'autres droits qui varient d'un état à un autre, et d'un pays à l'autre. A part dans certains cas d'annulation de garantie mentionnés dans ce manuel, la garantie n'est pas valable si:

- Si des personnes non autorisées dans ce manuel on effectuée des réparations.
- Si l'arme a mal été entretenue (sale, oxydée, avec de la corrosion...)
- Si vous avez utilisé des munitions militaires, munitions rechargée, non autorisée par les normes CIP ou SAAMI.
- Dommage par la suite du non-respect des instructions données dans ce manuel.

L'arme est vendue identifiée avec ses numéros de série sur le côté de l'action.

***IMPORTANT: En cas de renvois, assurez-vous que l'arme est déchargée!***





Service après-vente (SAV):

BERGARA

**DIKAR S. Coop**

Ugarte, 26

20570 Bergara - Guipúzcoa (Espagne)

Tel.: +34 943 769 893

[info@bergararifles.com](mailto:info@bergararifles.com)

[www.bergararifles.com](http://www.bergararifles.com)

Facebook: Bergara Rifles Europe

Youtube: bergarainternational



FR

---

BA13

# INDICE

---

1.- Introduzione	60
2.- Sicurezza in generale	61-63
3.- Introduzione al fucile BERGARA BA13 TAKE DOWN	64
4.- Carica e sparo del fucile BERGARA BA13 TAKE DOWN	65
5.- Uso di munizioni militari	66
6.- Smontaggio della canna del fucile	66
7.- Regolazione della canna del fucile sul guardamano	67
8.- Regolazione tacca di mira	68
9.- Montaggio del mirino telescopico	68
10.- Pulizia e manutenzione	69
11.- Conservazione	69
12.- Garanzia	70

IT

# 1. AVVISI DI CAUTELE E SICUREZZA

Grazie per aver acquistato un fucile Bergara BA13 TAKE DOWN.

Speriamo che questo fucile risponda alle sue aspettative, sia idoneo ai suoi scopi e le offra anni di soddisfazione.

La preghiamo di leggere il presente manuale. Ci sono molte caratteristiche con cui l'utente deve acquisire familiarità per utilizzare l'arma in sicurezza.

## ***Il futuro degli sport di tiro dipende da lei.***

Gli incidenti, l'uso scorretto delle armi da fuoco, eccetera, sono considerate ragioni per proibire gli sport di tiro in generale e delle armi nello specifico.

Sia responsabile, cerchi la sicurezza e presti attenzione alle raccomandazioni di sicurezza degli altri compagni tiratori.

Se dopo aver letto le istruzioni, gli avvisi e i rischi indicati in dettaglio nel presente manuale non è disposto a farsi carico della responsabilità implicata dal maneggiare e far sparare un'arma in modo sicuro, restituisca l'arma al negozio in cui l'ha acquistata.

***Occorre tenere in considerazione tutte le misure di sicurezza perché l'uso dell'arma sia sicuro!***

## 2. SICUREZZA GENERICA

### 10 regole di sicurezza per maneggiare la sua arma

---

1. Mantenere sempre la bocca del fucile puntata in una direzione sicura, anche se il fucile è scarico.
2. Sia sicuro del suo obiettivo e di quello che c'è dietro prima di puntare contro un luogo specifico.
3. Non si fidi mai della sicura meccanica di un'arma.
4. L'arma deve essere scarica fino al momento in cui viene utilizzata.
5. Utilizzare sempre la protezione oculare e dell'udito.
6. La canna deve essere libera da qualsiasi tipo di ostruzione prima di caricare e sparare.
7. Maneggi ogni arma come se fosse carica.
8. Conservi le armi e le munizioni in luoghi separati in un'area chiusa a chiave.
9. Eviti di consumare bevande alcoliche e sostanze stupefacenti prima e durante l'uso di un'arma.
10. Non alteri né modifichi la sua arma. Faccia revisionare l'arma con regolarità da un armaiolo competente. Si assicuri che ogni parte funzioni correttamente prima di ogni utilizzo.

#### **Avviso sanitario:**

*Far sparare un'arma in un'area poco ventilata e/o maneggiare munizioni possono determinare l'esposizione a piombo o composti del piombo. Si assicuri di disporre di una ventilazione adeguata in ogni momento.*

*Si assicuri di lavarsi bene le mani dopo aver sparato, maneggiato le munizioni o pulito la sua arma.*

*Non mangi e non fumi durante tali attività.*

## 2. CONSIDERAZIONI DI SICUREZZA RELATIVE A TUTTE LE ARMI

- Non fumi mai mentre spara o maneggia un'arma o materiale relativo. La cenere o le scintille possono far sì che la polvere o le cartucce si accendano, causando lesioni personali, compresa la morte.
- Utilizzi sempre protezioni oculari. E' possibile che saltino delle particelle della camera o della bocca dell'arma quando si utilizza qualsiasi fucile.
- Controlli sempre l'arma prima di utilizzarla per garantirsi che sia in buone condizioni di funzionamento. Provi il grilletto e il sistema di apertura con attenzione prima di caricare. Controlli che la canna non sia ostruita. Le ostruzioni possono far sì che essa esploda, causando gravi lesioni o la morte.
- Non carichi mai un'arma fino a quando non è pronta per sparare. Occorre estrarre la cartuccia quando si cammina, quando ci si arrampica su alberi o recinti, quando si passa l'arma da una persona all'altra, quando si oltrepassano un muro o un fossato, ...
- Non appoggi mai un'arma contro il muro, un albero, un veicolo o un'altra superficie. La caduta di un'arma carica può causare uno sparo accidentale dell'arma, causando gravi lesioni o la morte.
- Non trasporti mai un'arma carica in nessun genere di veicolo. Si ritiene che l'arma sia carica quando non si estrae la cartuccia dalla camera.
- Non mantenga mai un'arma carica. L'arma deve essere scaricata e occorre pulirla prima di qualsiasi operazione di stoccaggio.
- Non carichi un'arma senza prima essersi assicurato che la canna sia pulita e priva di ostruzioni. Se l'arma cade a terra per errore, assicurarsi che la canna non si sia ostruita.
- Ponga molta attenzione quando caccia da una postazione su un albero. La caduta accidentale di un'arma può provocare uno sparo che può causare gravi lesioni o la morte. Si assicuri che l'arma sia scarica prima di salire o scendere da un albero.
- Non si fidi mai della sicura meccanica! I dispositivi meccanici possono guastarsi e di fatto lo fanno davvero. Le armi devono sempre essere maneggiate come se fossero pronte a sparare, indipendentemente dalla posizione o condizione meccanica della sicura.
- Utilizzi sempre procedure di pulizia adeguate. Far sparare una canna in cattivo stato di manutenzione o con tracce di ruggine può portare a condizioni di pressione pericolose e/o fare sì che la canna esploda causando lesioni gravi o la morte.
- Non punti mai la canna contro qualcosa che non desidera danneggiare. Sollevando l'arma all'altezza della spalla, si assicuri che la bocca della canna sia rivolta in avanti.
- Non cerchi di modificare le componenti interne della sua arma. Farlo può causare una situazione pericolosa, determinando uno sparo accidentale dell'arma e causando gravi lesioni o la morte. Tali modifiche, in generale, annullano la garanzia.
- Non lasci l'arma incustodita o alla portata dei bambini. In alcuni paesi questo è punito dalla legge.

## 2. CONSIDERAZIONI DI SICUREZZA RELATIVE A TUTTE LE ARMI

### Lei è responsabile della sicurezza della sua arma!

---

*Come proprietario dell'arma, deve accettare una serie di responsabilità. In qualsiasi momento, deve maneggiare il suo fucile con grande attenzione rivolta ai suoi potenziali pericoli.*

*Legga e comprenda a fondo le funzioni e la terminologia utilizzate nel presente manuale prima di cercare di utilizzare il suo fucile BERGARA.*

### Per la sua sicurezza e quella degli altri!

---

*BERGARA le consiglia di partecipare a un corso certificato sulla sicurezza del cacciatore prima di utilizzare l'arma.*

*Chieda presso le autorità le informazioni sui corsi disponibili.*

*Anche se non ha intenzione di andare a caccia di animali, le informazioni ottenute in un corso di sicurezza del cacciatore possono aiutarla a prevenire incidenti gravi o mortali.*

IT

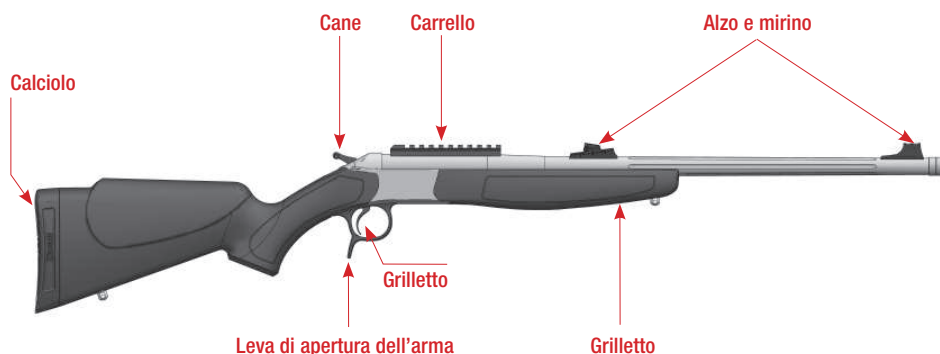
### 3. INTRODUZIONE AL FUCILE BERGARA BA13 TAKE DOWN

*Il BA13 TAKE DOWN è un fucile concepito per essere smontato facilmente, rapidamente e senza bisogno di utilizzare alcun tipo di attrezzo.*

*Cercare di montare una canna di modello diverso o una canna modificata dall'utente può essere considerata una condizione insicura.*

*Tali modifiche, in generale, annullano la garanzia.*

*Se ha delle ragioni per credere che la sua canna non sia quella originale che corrisponde al modello, la preghiamo di contattare BERGARA per verificarlo.*





## 4. CARICA E SPARO DEL FUCILE

- Prima di utilizzare il fucile ripulisca i residui di olio per la pulizia dalla canna per evitare che vada in sovrappressione.
- Prima di caricare il fucile, tiri la leva del paragrilletto per sganciare la canna dalla bascula. La canna ruoterà in avanti per consentire l'accesso alla camera. Si assicuri che la canna non sia ostruita guardandoci dentro. Questo le permetterà di ispezionare, pulire o caricare.
- Si assicuri che la munizione scelta sia dello stesso calibro che è indicato sul lato della canna.
- Puntando la canna in una direzione sicura, inserisca la munizione nella camera e completi l'operazione.
- Puntando la canna in una direzione sicura, abbassi il cane, fissi l'obiettivo e tiri con delicatezza il grilletto per sparare. Se spara tenendo l'arma appoggiata, si assicuri di non poggiarla sul paragrilletto, dal momento che il meccanismo di apertura si aziona tramite questo e l'arma potrebbe accidentalmente aprirsi.
- Per estrarre la capsula dalla camera o per scaricare la munizione senza sparare, tiri la leva del paragrilletto per sganciare la canna dalla bascula. L'estrattore farà uscire la capsula e la potrà prendere con le dita. Tenga conto che l'estrattore fa uscire parzialmente la capsula dalla camera, non la espelle dalla canna
- Se una cartuccia non spara, attenda almeno un minuto con la canna puntata in una direzione sicura. Apra l'arma con molta attenzione ed estraiga la palla dalla camera per verificarla.

### IMPORTANTE!

#### ***Rimettere in posizione di riposo un fucile armato e carico***

*Se ha un'arma carica e armata e decide di non sparare, proceda nel modo seguente per disarmare ed estrarre la munizione dalla camera:*

- 1. Punti l'arma verso un luogo sicuro.*
- 2. Tenga saldamente il cane.*
- 3. Prema con delicatezza il grilletto mentre tiene saldamente il cane in modo che non cada.*
- 4. Sollevi con delicatezza il cane fino alla posizione di riposo.*
- 5. Rilasci il grilletto.*
- 6. Rilasci il cane.*
- 7. Apra l'arma ed estraiga la munizione*

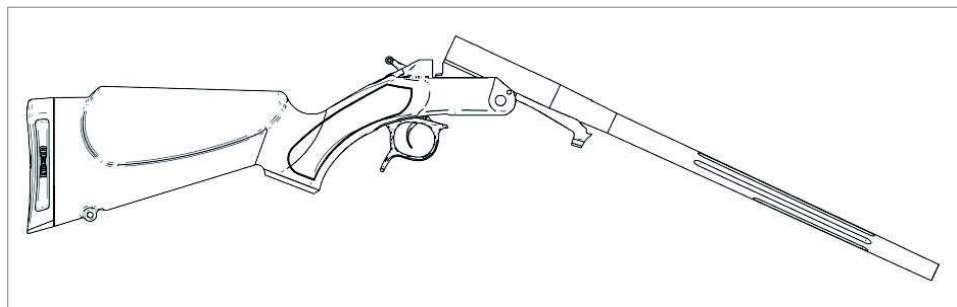
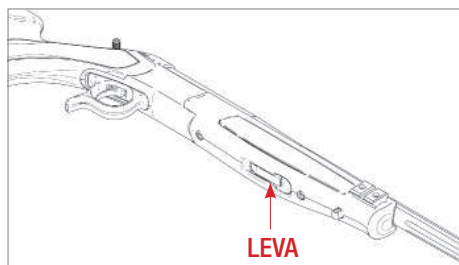
## 5. USO DI MUNIZIONI MILITARI

Le munizioni militari, come ad esempio la 5,56 NATO e la 7,62 NATO, di solito hanno uno spessore maggiore rispetto alle munizioni civili, come la .222 Remington e la .308 Winchester. Vi sono altre differenze nella filettatura

della camera e nella pressione con cui di solito si caricano le munizioni. Per questo, BERGARA e l'Istituto dei produttori di Armi di piccole dimensioni e Munizioni (SAAMI) consigliano di non utilizzare munizioni militari su armi civili.

## 6. SMONTAGGIO DELLA CANNA DEL FUCILE

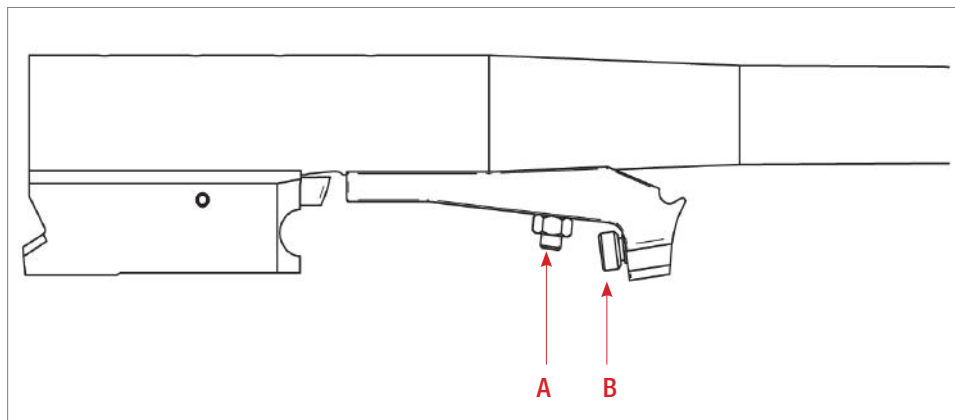
- Ritiri il guardamano tirando la leva situata nella parte inferiore dello stesso. Per prima cosa faccia ruotare il guardamano, quindi tiri verso la parte anteriore del fucile rispetto ad esso.
- Una volta ritirato il guardamano, tiri la leva del paragrilletto per sganciare la canna dalla bascula. Ruoti la canna come se dovesse ricaricare il fucile.
- Per riposizionare la canna occorre collocarla in posizione di ricarica e ruotarla fino a quando si fissa nella bascula.
- Mettere il guardamano in posizione inclinata e ruotare fino a quando si ancora alla canna.



## 7. REGOLAZIONE DELLA CANNA DEL FUCILE SUL GUARDAMANO

Il guardamano viene regolato in fabbrica. Nel caso in cui si determini un disallineamento dovuto all'uso dell'arma, procedere nel modo seguente:

- Il guardamano ha uno spazio longitudinale libero dopo che è stato posizionato. Regolare la vite B della canna fino a quando sparisce lo spazio libero.
  - Il guardamano non può essere posizionato perché si ferma prima dell'ancoraggio e si irrigidisce se sottoposto a pressione. Allentare le viti A e B fino a quando il guardamano si ancora e ha uno spazio libero longitudinale e verticale. Regolare
- la vite B della canna fino ad eliminare lo spazio libero longitudinale. Quindi regolare la vite A affinché faccia da limite all'ancoraggio del guardamano.
  - Il guardamano non può essere posizionato perché si scontra con l'ancoraggio, ma non si irrigidisce se sottoposto a pressione. Regolare la vite A della canna fino a quando si ancora correttamente.
  - Il guardamano si ancora, ma se si continua a premere si irrigidisce ed è difficile da rimuovere. Regoli la vite A fino a quando il guardamano arriva al limite al momento di ancorarsi.



## 8. REGOLAZIONE DI ALZO E MIRINO

Nel caso in cui lei abbia scelto un fucile BA13 TAKE DOWN dotato di alzo e mirino in fibra ottica, la preghiamo di seguire le raccomandazioni seguenti per regolarlo correttamente:

- Allenti la vite dei mirini per consentire il movimento e torni a stringerla saldamente.
- Per regolarli sul punto di Impatto della palla dovrebbe sparare almeno 2 volte prima di regolarlo.
- Regoli i mirini al centro. La “regola d’oro” è muovere l’alzo nella stessa direzione in cui si deve muovere il punto di impatto della palla. In altre parole, se ha bisogno che il foro sia più a destra, sposti l’alzo verso destra.
- Allenti la vite dell’alzo per consentire il movimento e torni a stringerla dopo la regolazione.

## 9. BASI PER IL MIRINO TELESCOPICO

- I fucili BERGARA vengono trapanati e filettati per facilitare l’installazione del mirino telescopico. Non pratici fori aggiuntivi nella canna, perché questo può indebolirla e farla esplodere, causando gravi lesioni o la morte. Se non si utilizza una base e degli anelli di buona qualità la precisione sarà insoddisfacente.
- Segua le istruzioni del produttore della base per montare le basi e gli anelli.
- Utilizzare una colla per l’assemblaggio dei filetti è consigliabile, ma non necessario. Se decide di utilizzare un materiale del genere, che sia poco e di bassa durezza.
- Si assicuri che la campana anteriore del mirino telescopico non sia in contatto con la canna e che la parte posteriore sia a una distanza adeguata dall’occhio affinché non ne venga ferito per il rinculo.

## 10. PULIZIA E MANUTENZIONE

Le consigliamo di utilizzare prodotti di prima qualità specifici per la pulizia delle armi. Le consigliamo di pulire dalla parte posteriore estrema della canna per proteggere la punta.

Utilizzi uno spazzolino adeguato, inumidito con solvente e pulisca la canna con vari movimenti per tutta la sua lunghezza. Lasci agire il solvente per qualche minuto (segua le raccomandazioni del produttore del solvente). Successivamente, la pulisca con stracci asciutti per eliminare le incrostazioni e il solvente. Ripeta la procedura col solvente e gli stracci fino a quando questi ultimi escono puliti.

Il percussore si può pulire e lubrificare secondo la procedura seguente:

- Verifichi che l'arma sia disarmata
- Sposti il cane per lasciare scoperto il percussore
- Estragga la vite che si trova sopra al percussore
- Il percussore e la molla la seguiranno. Riassambrli in ordine inverso.

Questo è necessario solo occasionalmente o se il meccanismo si inzuppa d'acqua.

Ingrassi la parte anteriore della canna, il perno di collegamento e l'esterno dell'arma per evitare la corrosione.

IT

## 11. CONSERVAZIONE

Di seguito vengono forniti alcuni consigli pratici che si possono seguire per conservare il fucile in modo adeguato:

- Tenga l'arma in cassaforte, inserendo all'interno della stessa anche qualche sistema per ridurre l'umidità relativa.
- Di quando in quando prenda l'arma dal luogo di stoccaggio e la pulisca.
- Rispetti le normative di legge relative alla conservazione di armi.
- Se deve tenere l'arma per molto tempo nel deposito la tenga non armata, con la molla del percussore in posizione di riposo, non compressa.

## 12. GARANZIA

La preghiamo di indirizzare le richieste relative alla garanzia a:

**Info@bergararifles.com**

O per posta ordinaria a:

**DIKAR S. Coop**

Ugarte, 26

20570 Bergara - GUipúzcoa (Spagna)

Il fucile BA13 TAKE DOWN è garantito contro qualsiasi difetto di fabbrica a vita. Tale garanzia è intestata all'acquirente originario e non è trasferibile. Tale garanzia non copre la normale usura, il logoramento del metallo o del materiale, l'abuso o l'uso improprio, i danni materiali, i costi degli incidenti o l'errore nell'utilizzo.

Tale garanzia le attribuisce alcuni diritti legali e lei può avere altri diritti che variano da uno stato all'altro e da un paese all'altro. Oltre alle ragioni di annullamento della garanzia indicate nei diversi capitoli del presente manuale, la garanzia non è valida se:

- Terzi hanno realizzato riparazioni non autorizzate nel presente manuale.
- L'arma viene restituita in condizioni trascurate (sporca, con ruggine...).
- Sono state utilizzate munizioni militari, munizioni ricaricate o non autorizzate dal CIP o dal SAAMI.
- Per danni conseguenti al mancato rispetto delle istruzioni fornite nel presente manuale.

L'arma si identifica col numero di serie sul lato della carcassa o fusto.

***IMPORTANTE: In caso di restituzione, si assicuri che l'arma sia scarica!***



Servizio di assistenza tecnica a (SAT):

BERGARA

**DIKAR S. Coop**

Ugarte, 26

20570 Bergara - Guipúzcoa (Spagna)

Tel.: +34 943 769 893

[info@bergararifles.com](mailto:info@bergararifles.com)

[www.bergararifles.com](http://www.bergararifles.com)

Facebook: Bergara Rifles Europe

Youtube: bergarainternational





**Dikar S. Coop**

Ugarte, 26 - 20570

Bergara - Gipuzkoa

(Spain)

[www.bergararifles.com](http://www.bergararifles.com)

[info@bergararifles.com](mailto:info@bergararifles.com)

Facebook: Bergara Rifles Europe

Youtube: bergarainternational

**Bergara North America**

BPI Outdoors

1270 Progress Center Ave. Suite 100

Lawrenceville, GA 30043

[www.bergarausa.com](http://www.bergarausa.com)

[contact@bergarausa.com](mailto:contact@bergarausa.com)

Facebook: Bergara USA

Youtube: Bergara US