

TIPPMANN®

M4 Carbine Low Energy Air Gun

Owner's Manual

Manuel d'utilisateur
Manual del Usuario



**READ ALL INSTRUCTIONS AND WARNINGS
IN THIS MANUAL BEFORE USING THIS
LOW ENERGY AIR GUN.**

**LISEZ TOUTES LES INSTRUCTIONS AINSI QUE
LES AVERTISSEMENTS DE CE MANUEL AVANT
D'UTILISER CETTE REPLIQUE.**

**LEA LAS INSTRUCCIONES Y LAS ADVERTENCIAS
QUE ENCUENTRA EN ESTE MANUAL ANTES DE
USAR ESTA PISTOLA DE AIRE CON BAJA ENERGIA**

**WARNNG**

This is not a toy. Misuse may cause serious injury or death. Eye, face, and ear protection designed for Low Energy Air Guns (LEAG) must be worn by the user and any person within range. We recommend you be at least 18 years old to purchase. Persons under 18 must have adult supervision when using this product. Read the Owner's Manual before using this product.

**AVERTISSEMENT**

Ceci n'est pas un jouet. Une mauvaise utilisation peut provoquer des blessures sérieuses ou la mort. Le port de la protection des yeux conçue pour les répliques LEAG (Low Energy Air Gun) est obligatoire pour l'utilisateur et toute personne à portée de tir. Nous recommandons d'avoir 18 ans pour acheter une réplique. Toute personne n'ayant pas 18 ans doit être accompagnée d'un adulte lors de l'utilisation de ce produit. Lisez le Manuel d'utilisateur avant d'utiliser ce produit.

**ADVERTENCIA**

Esto no es un juguete. Un uso inapropiado puede causar serias heridas o la muerte. Ojos, cara y oídos deben ser protegidos todo el tiempo, con la protección diseñada para LESG tanto por jugadores como por cualquier persona que este en el radio de alcance. Recomendamos al menos 18 años para la compra y uso. Las personas menores de 18 años deben usar este producto bajo la supervisión de un adulto. Lea el Manual del Usuario antes de usar este producto.

WARNING

Safety is Your Responsibility

Read and familiarize yourself and any other user of this Low Energy Air Gun with the safety instructions in this manual. Follow these instructions when using, working on, transporting, or storing this Low Energy Air Gun.

Always keep the Selector Switch in Safe mode unless firing as detailed in instructions on page 6.



AVERTISSEMENT

La sécurité est Votre responsabilité

Lisez et familiarisez-vous avec les instructions de sécurité qui se trouvent dans ce manuel. Suivez ces instructions lors de l'utilisation, l'entretien, le transport ou le rangement de votre réplique LEAG.

Maintenez toujours le sélecteur en mode Sécurité sauf quand vous tirez, comme indiqué dans les instructions en page FR-3.



ADVERTENCIA

La Seguridad es Su Responsabilidad

Lea y familiarícese usted y cualquier otro usuario de este marcador con las instrucciones de seguridad de este manual. Siga estas instrucciones cuando se utiliza, trabajando, transporte, o almacenar este marcador.

Mantenga siempre el seguro del gatillo activado a menos que sea necesario hacer disparos. Como se ve en las instrucciones de la página ES-3.



⚠ WARNING

This is not a toy. Misuse may cause serious injury, especially to the eye. Eye protection designed for Low Energy Air Guns (LEAG) must be worn by the user and any person within range. Read this owner's manual before using this product.

We recommend you be at least 18 years old to purchase. Persons under 18 must have adult supervision when using this product. You must follow all federal, state, and local laws governing the ownership and use of Low Energy Air Guns. Parents must not allow minors to take this product to school. Having this product at school may be a crime.

⚠ WARNING

Do not brandish or display this product in public as it may cause confusion and may be a crime. Police or others may mistake this product for a real firearm. Altering the coloration or markings required by state or federal law to make the product look more like a firearm is dangerous and may be a crime.

⚠ WARNING

Always make sure that the Selector Switch is in Safe mode (see instructions on page 6) to prevent damage to property, serious injury, or death.

M4 Carbine

Manufactured by **TIPPMANN®**

Tippmann Sports, LLC

2955 Adams Center Road, Fort Wayne, IN 46803 USA
P) 260-749-6022 • F) 260-749-6619 • www.Tippmann.com

Tippmann Sports Europe, SPRL

Rue du Mont D'Orcq 16, Z.I. Tournai Ouest, 7503 Froyennes, Belgium
Telephone +32 (0) 69 549 578 • europeservice@tippmann.com • www.Tippmann.com

CONGRATULATIONS on the purchase of your Tippmann M4 Carbine Low Energy Air Gun (LEAG). This M4 Carbine will provide many years of dependable service, if cared for properly. Please take time to read this manual thoroughly and become familiar with your M4 Carbine's parts, operation, and safety precautions before you attempt to load or fire this M4 Carbine. If you have a missing or broken part, or need assistance, please contact Tippmann Customer Service at 1-800-533-4831 for fast, friendly service.

Table of Contents

Warning/Liability Statement and Safety Instructions	6
Getting Started	8
1. Loading the Magazine	8
2. CO2 Cartridge (12 gram) Installation.....	9
3. Firing Your M4 Carbine.....	9
4. Unloading Your M4 Carbine.....	9
Velocity and Hop Up Adjustment	10
Rate of Fire Adjustment and Factory Settings.....	11
M4 Carbine Alternative Air Delivery	12
Converting from 12g CO2 Cartridge to Remote Line or ASA.....	12
Converting from Remote Line or ASA to 12g CO2 Cartridge.....	13
Installing the supplied Remote Line Connector	14
Installing the Remote Line System	14
Optional ASA Installation	15
HPA/CO2 Cylinder Installation.....	15
Air/CO2 Supply Cylinder Warnings.....	16
Air/CO2 Supply Cylinder Safety Tips.....	17
Air/CO2 Supply Cylinder Removal	17
Repairing Air/CO2 Supply Cylinder Leaks	18
Cleaning and Maintenance.....	18
Storage.....	19
M4 Carbine Disassembly and Assembly	19
Upper Receiver.....	20
Barrel Assembly.....	20
Hop Up Assembly.....	21
Rear Bolt.....	21
Front Bolt, Power Tube, and Valve	22
Lower Receiver.....	22
Puncture Valve Assembly	22
Puncture Valve Body Assembly.....	23
Trigger Group Assembly	23
Flow Control Assembly	25
Troubleshooting.....	25
M4 Carbine Low Energy Air Gun Assembly Diagrams	26-28
M4 Carbine Low Energy Air Gun Specifications.....	29
Warranty and Repair Information	30

Warning/Liability Statement

This Low Energy Air Gun (LEAG) is classified as a dangerous weapon and is surrendered by Tippmann Sports, LLC with the understanding that the purchaser assumes all liability resulting from unsafe handling or any action that constitutes a violation of any applicable laws or regulations. Tippmann Sports, LLC shall not be liable for personal injury, loss of property or life resulting from the use of this weapon under any circumstances, including intentional, reckless, negligent or accidental discharges.

All information contained in this manual is subject to change without notice. Tippmann Sports, LLC reserves the right to make changes and improvements to products without incurring any obligation to incorporate such improvements into products previously sold.

If you, as a user, do not accept liability, Tippmann Sports, LLC requests you do not use a Tippmann Sports, LLC Low Energy Air Gun. By using this LEAG you release Tippmann Sports, LLC of any and all liability associated with its use.

Safety Is Your Responsibility!

⚠ WARNING

Except when your M4 Carbine is in use, always make sure that the Selector Switch is in Safe mode.

To put in Safe mode: Move the Selector Switch so the indicator points to “SAFE” as shown.

To go to a Fire mode: Move the Selector Switch so the indicator points to either the “SEMI” or “AUTO” position.



The ownership of this M4 Carbine places upon you the total responsibility of its safe and lawful use. You must observe the same safety precautions as you would any firearm to assure the safety of not only yourself but everyone around you. Outlined here are some general precautions to be aware of. The user should at all times use caution and common sense when using this M4 Carbine and always remember that airsoft can only survive and grow if it remains safe!

- Always handle and operate the Low Energy Air Gun safely.
- Choose safe and proper targets.
- Backstops should be inspected for wear before and after each use. Discontinue use if the backstop surface shows signs of failure. Since backstop surfaces will eventually fail, be sure to position the backstop in a location that remains safe should the backstop fail. Stop using the backstop if an airsoft BB rebounds or ricochets.
- Do not load or fire this M4 Carbine until you have completely read this manual and are familiar with its safety features, mechanical operation, and handling characteristics.
- Handle this and any gun as if it were loaded at all times.
- Keep your finger off the trigger until you are ready to shoot.
- Do not look down the barrel of a Low Energy Air Gun. Accidental discharge into the eyes may cause permanent injury or death.

- Keep the M4 Carbine in Safe mode until ready to shoot (see Warning on page 6).
- Never point at anything you do not intend to shoot.
- Never fire air/CO2 at anything you do not intend to shoot because there may be airsoft BBs or foreign debris lodged in the chamber or barrel.
- Do not shoot at fragile objects such as windows.
- Avoid ricochets by never shooting at hard flat surfaces or water.
- Never fire at personal property of others. The airsoft BB impact can cause damage.
- Always keep the muzzle pointed down or in a safe direction. Even if you stumble or fall, keep the muzzle in a safe direction.
- Eye, face, and ear protection designed specifically to stop airsoft BBs in the form of goggles must be worn by the user and any person within range.
- Never shoot at a person who is not protected by eye, face, and ear protection designed for airsoft.
- Pressurize and load the M4 Carbine only when it will be immediately used.
- Store the M4 Carbine unloaded, degassed, and in Safe mode in a secure place. NOTE: Before storing or disassembling, be sure to remove airsoft BBs and air/CO2 supply (see unloading and air/CO2 removal instructions on pages 9 and 17).
- Store the unloaded M4 Carbine in a safe and proper manner. Always check that it is unloaded when removing from storage or when receiving it from another person.
- Do not field strip or otherwise disassemble this M4 Carbine while it is pressurized with the air/CO2 supply.
- Dress appropriately when playing the game of airsoft. Avoid exposing any skin when playing the game of airsoft. Even a light layer of cloth will absorb some of the impact and protect you from the airsoft BBs.
- Keep exposed skin away from escaping gas when installing or removing air/CO2 cylinder or if the M4 Carbine or air/CO2 supply is leaking. Compressed air, CO2, and nitrogen gasses are very cold and can cause frostbite under certain conditions.
- Use only appropriately sized airsoft BBs. Never load or fire any foreign objects.
- Avoid alcoholic beverages before and during the use of this air gun. Handling air guns while under the influence of drugs or alcohol is a criminal disregard for public safety.
- Avoid shooting an opponent at point blank, 6 feet (2m) or less.
- Familiarize yourself with instructions listed on air/CO2 cylinder or adapter. Contact the air/CO2 cylinder or adapter manufacturer with any questions.
- Read the Air/CO2 Cylinder Warnings and Safety Tips on pages 16-17 before beginning the cylinder installation or removal.
- Always measure your M4 Carbine's velocity with a chronograph before playing airsoft and never shoot at velocities in excess of rates established by the field (see instructions on page 10).
- Do not brandish or display this product in public as it may cause confusion and may be a crime. Police or others may mistake this product for a real firearm. Altering the coloration or markings required by state or federal law to make the product look more like a firearm is dangerous and may be a crime.

Getting Started

This Tippmann® M4 Carbine Low Energy Air Gun (LEAG) offers three options for propulsion of airsoft BBs:

- #1 - The Magazine holds a standard 12 gram CO2 cartridge to power the M4 Carbine.
- #2- A Remote Air Line connector (included, but requires an air line and air source) is installed into the Grip. Requires removal of the puncture valve (page 12). Connect the Remote Line to an 800 PSI regulated cylinder of High Pressure Air (HPA) or CO2. An aftermarket magazine can be used for this method.
- #3 - Purchase an Air Supply Adapter (ASA) kit from Tippmann and install it into the Lower Grip for use with a cylinder of HPA (regulated at 800 PSI or lower) or CO2 to connect directly to the LEAG. Requires removal of the puncture valve (page 12). An aftermarket magazine can be used for this method.

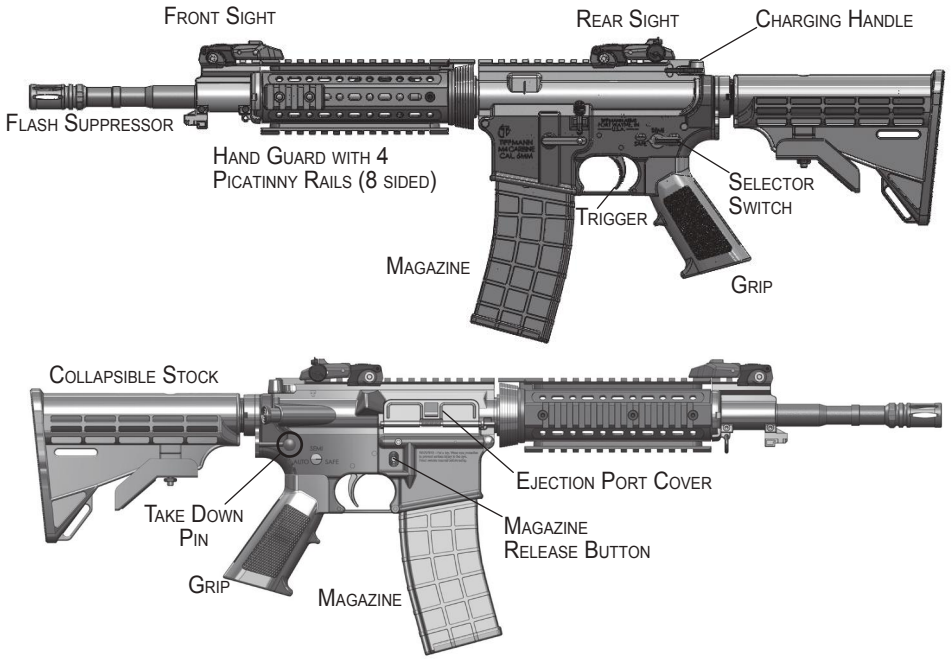
- Eye protection designed for airsoft use must be worn by the user and any person within range.
- Do not disassemble this M4 Carbine while it is pressurized with air/CO2.
- Do not pressurize a partially assembled M4 Carbine.
- Read each step completely before performing the step.

NOTE: Carefully hand start all threaded parts when assembling and do not overtighten, as this may potentially strip the threaded parts.

1. Loading the Magazine

The Selector Switch must be in Safe mode (see page 6).

- a. Press the Magazine Release Button to release the Magazine from the receiver.
- b. Orient the Magazine as shown on page 9.

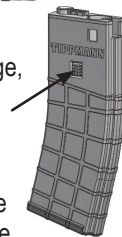


- c. Fill the Magazine with up to eighty 6mm precision airsoft BBs in the opening shown by the arrow. You may find it helpful to use a loader (sold separately by your airsoft dealer). Do not attempt to overfill the Magazine.



2. CO2 Cartridge (12 gram) Installation

- a. Press the Magazine Release button to remove the magazine from the receiver. Always hold onto the Magazine in case the current CO2 cartridge has leftover pressure.
- b. Insert a new 12 g CO2 cartridge into the magazine, oriented as shown (arrow).
- c. Press the CO2 Cartridge Release button. This allows the cartridge to drop fully into the Magazine. Whenever you are installing a new cartridge, push this button to release an empty cartridge.
- d. Cock the M4 Carbine by pulling the Charging Handle all the way back and allow it to return to the forward position.
- e. Slowly reinsert the magazine into the receiver until you hear a click. The CO2 cartridge is not punctured. To puncture the CO2 cartridge, push the Magazine fully into the magazine well or install completely with one fast motion.



For attaching an alternate air source (800 PSI regulated HPA or CO2 cylinder) to the M4 Carbine, refer to the *Alternative Air Delivery* instructions starting on page 12.

3. Firing Your M4 Carbine

- a. Go to a designated firing area. Eye protection designed for airsoft use must be worn by the user and any person within range. If you have an alternate air source, turn on the air supply.
- b. Move the Selector Switch to a fire mode. The M4 Carbine fires in SEMI or AUTO mode. In **SEMI** mode, you have to pull back the Trigger each time you want to fire a shot. In **AUTO** mode, firing continues as long as you hold the Trigger back.
- c. Point your M4 Carbine in a safe direction and pull the trigger to fire a shot.
- d. When finished firing, put the Selector Switch in Safe mode (page 6).



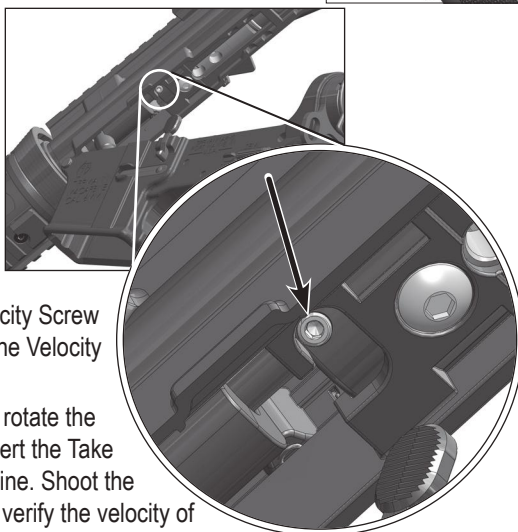
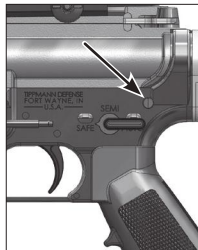
4. Unloading Your M4 Carbine

- a. Eye protection designed for airsoft use must be worn by the user and any person within range.
- b. Press the Magazine Release Button to release the magazine from the receiver.
- c. Any remaining CO2 in the 12 g cartridge will vent, and four to five airsoft BBs will fall from the receiver. If you have an alternate air source, turn off the air supply (see page 17 for cylinder removal).
- d. Uncock the M4 Carbine by pointing it in a safe direction and pull the Trigger. Never assume that because the LEAG magazine is removed, that a BB or foreign object is not present in the barrel. Always treat the LEAG as though it is loaded, and with the same respect you would any firearm.
- e. Return the Selector Switch to Safe mode.

Velocity Adjustment

Prior to each time you play airsoft, check the velocity of your M4 Carbine with a chronograph (an instrument for measuring velocity). Using a .2g airsoft BB, verify that the M4 Carbine's velocity is set below 400 feet per second (or less if required by the playing field).

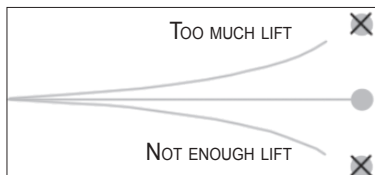
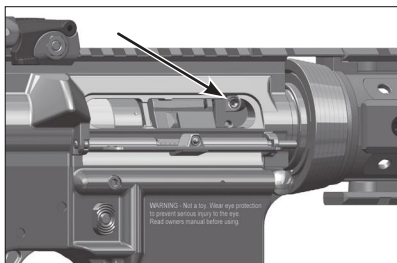
1. Remove the air supply. Press the Magazine Release Button to remove the Magazine from the receiver (refer to Step 4 on page 9), or turn off and vent the Remote Line. See page 17 for HPA/CO2 cylinder removal.
2. From the left side of the M4 Carbine, push the Take Down Pin (shown by the arrow at top right) until enough head is available on the right side to hold onto it. Pull the head of the Take Down Pin only until it stops, as it can not be completely removed.
3. Pivot the barrel muzzle downward as shown. Look for the set screw (circled) in the bottom of the Top Receiver.
4. Use the included 5/64" hex key in the Velocity Screw. Turn in 1/4 turn increments or less. Reduce the velocity by turning the Velocity Screw clockwise. To increase the velocity, turn the Velocity Screw counterclockwise. Never remove the Velocity Screw.
5. After adjusting the Velocity Screw, rotate the upper receiver back into place, insert the Take Down Pin, and reinstall the Magazine. Shoot the M4 over the chronograph again to verify the velocity of airsoft BBs.
6. Repeat as necessary to attain an airsoft field approved velocity.



Hop Up Adjustment

The M4 Carbine is manufactured with a hop up system. The purpose of this system is to change the spin on the airsoft BB as it leaves the muzzle, allowing you to tune your shot for different distances. If the M4 Carbine is shooting with too much lift, you have too much hop up. Open the Ejection Port Cover on the right side of the M4 Carbine. Rotate the set screw of the Hop Up (arrow) counterclockwise (CCW) to reduce the amount of hop up (6 turns maximum from the factory setting).

If the M4 Carbine is shooting with not enough lift, you don't have enough hop up. Rotate the set screw of the Hop Up (arrow) clockwise (CW) to increase the amount of hop up (6 turns maximum from the factory setting).

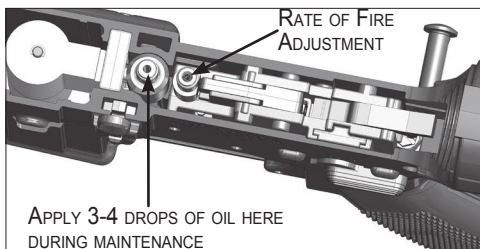


Rate of Fire Adjustment

The M4 Carbine utilizes air to control the Full Auto Trigger Reset and Bolt Release cycle. As the gun fires, a small amount of air enters the response cylinder to reset the trigger. The air flow out of the cylinder is controlled by the Rate of Fire Adjustment valve to time the bolt release for the chosen rate of fire. The Rate of Fire Adjustment range has extremes that are as follows:

Rate of Fire Adjustment Screw turned too far clockwise (CW, in)

Air will not be released from the cylinder and trigger not will release the sear. The trigger will feel spongy, will not fire the gun and the safety may not be moved from full auto position. Refer to page 25 *Troubleshooting - Pulling the Trigger does not release the bolt* for details on how to release the trigger. Once you have the receiver open, turn the Rate of Fire Adjustment screw CCW (out) until the trapped air is released. Note: Turn the adjustment screw CCW (out) until the trapped air is vented to begin Full Auto Adjustment.



Rate of Fire Adjustment Screw turned too far counterclockwise (CCW, out)

The trigger will reset and proceed with Bolt Release Cycle before the bolt is in the ready position. The gun will shoot a single shot or a short burst in Full Auto mode. The Full Auto trigger assembly is going faster than the rear bolt can cycle.

To adjust the Rate of Fire, open the M4 Carbine as described in *Velocity Adjustment* steps 1 through 3 on the previous page. Use a 1/16" hex key to turn the screw using only 1/8 turn increments each time. A recommended starting point for the adjustment screw is 1 turn out from fully turned clockwise (in).

Turning the adjustment screw CCW (out) increases the rate of fire. Turned too far, the gun will fire single shots or short bursts.

Turning the adjustment screw CW (in) decreases the rate of fire. Turned too far, the gun will not fire or will cycle very slowly

Factory Settings

Hop up factory setting is 5-6 turns CCW (out) from fully turned CW (in). This is slightly above flush of the receiver face around the screw. Essentially, this is zero hop-up on the ball. This position is also what we recommend prior to removing barrel assembly/hop-up bucking. We do this so the hop-up adjustment block clears the barrel inner liner slot when removed.

Rate of Fire factory setting has the adjustment screw set for maximum rate of fire. See *Rate of Fire Adjustment* above.

Tournament Lock (optional equipment)

Tippmann Sports offers a Tournament Lock kit. It consists of a replacement Take Down Pin that cannot be pushed out without using a tool. This prevents access to the velocity adjustment screw during play. If you want to install a Tournament Lock, contact Tippmann Sports, LLC. Follow the installation instructions that come with the Tournament Lock Pin.

M4 Carbine Alternative Air Delivery

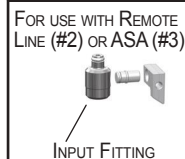
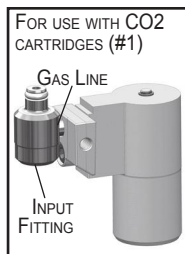
This M4 Carbine Low Energy Air Gun (LEAG) offers three options for propulsion of airsoft BBs from the air gun:

#1 - The Magazine holds a standard 12 gram CO2 cartridge to power the M4 Carbine. The Puncture Valve Assembly is used to pierce a 12 gram CO2 cartridge.

#2 - A Remote Air Line connector (included, but requires an air line and air source) is installed into the Grip. Requires removal of the puncture valve (page 12). Connect the Remote Line to an 800 PSI regulated cylinder of High Pressure Air (HPA) or CO2. Customers can use an aftermarket magazine for this method (most work well with this M4 Carbine).

#3 - An optional Air Supply Adapter (ASA) kit from Tippmann is installed into the Lower Grip for use with a cylinder of (regulated at 800 PSI or lower) HPA or a CO2 cylinder. Requires removal of the puncture valve (page 12). Customers can use an aftermarket magazine for this method (most work well with this M4 Carbine).

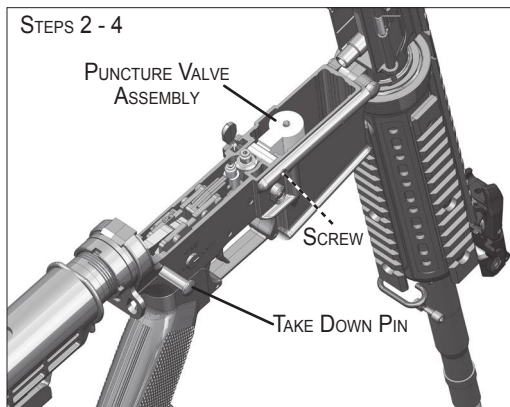
Review Air/CO2 Supply Cylinder Safety Tips (page 17).



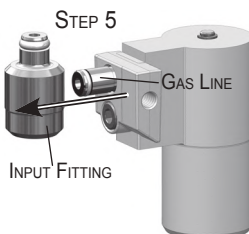
Converting from 12g CO2 Cartridge to Remote Line or ASA

If you are using a Remote Air Line, ASA air delivery system, or an aftermarket magazine, you need to remove the Puncture Valve Assembly:

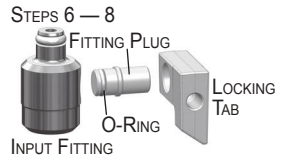
1. Remove the air supply. Press the Magazine Release Button to remove the Magazine from the receiver (see Step 4 on page 9).
2. From the left side of the M4 Carbine, push the Take Down Pin until enough head is available on the right side to hold onto it. Pull the head of the Take Down Pin only until it stops, as it can not be completely removed.
3. Pivot the barrel downward as shown. Remove and set aside the Screw.
4. Remove the Puncture Valve Assembly from the Lower Receiver.



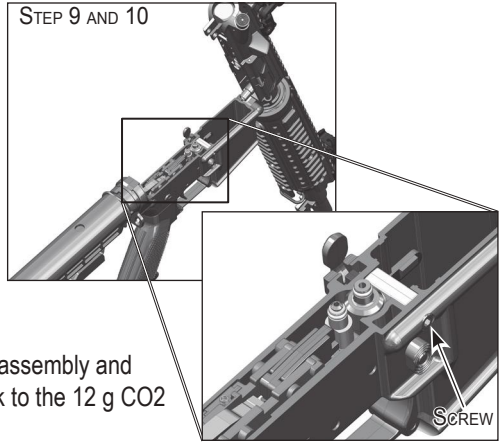
5. Remove the Input Fitting from the Gas Line.



6. Locate the Locking Tab and the Fitting Plug in the included accessory bag.
7. Install the O-Ring end of Fitting Plug into the Input Fitting.
8. Install the other end of the Fitting Plug into Locking Tab.



9. Reinstall this assembly into the M4 Carbine making sure the Input Fitting seats onto the internal gas line.
10. Reinstall the Screw from step 3 to the Lower Receiver.



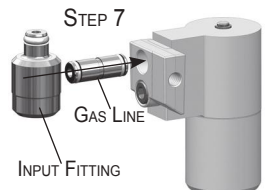
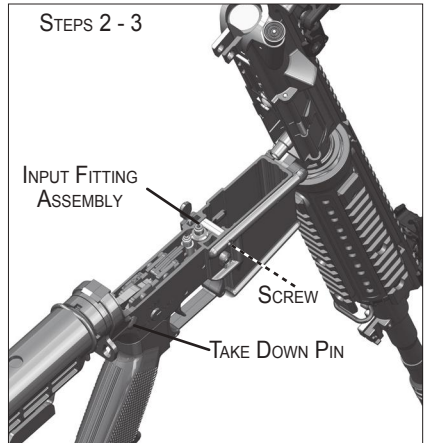
NOTE: Keep the removed Puncture Valve assembly and the Gas Line in case you decide to go back to the 12 g CO2 cartridge method of air delivery.

Go to page 14 for further Remote Line instructions.

Converting from Remote Line or ASA to 12g CO2 Cartridge

If you decide to go back to the 12g CO2 cartridge method, you have to reinstall the Puncture Valve:

1. Remove the air supply. Press the Magazine Release Button to remove the Magazine from the receiver (see Step 4 on page 9).
2. From the left side of the M4 Carbine, push the Take Down Pin until enough head is available on the right side to hold onto it. Pull the head of the Take Down Pin only until it stops, as it can not be completely removed.
3. Pivot the barrel muzzle downward. Remove and set aside the Screw.
4. Locate the Puncture Valve from previous removal.
5. Lift the Input Fitting, Fitting Plug, and Locking Tab from the Lower Receiver.
6. Remove the Input Fitting from the Fitting Plug.
7. If applicable, insert the Gas Line into the Puncture Valve. Install the Input Fitting onto the Gas Line.
8. Reinstall this assembly into the M4 Carbine making sure the Input Fitting seats onto the internal gas line. Reinstall the Screw from step 3 to the Lower Receiver.



Installing the supplied Remote Line Connector

Only perform these steps after converting from 12g to Remote Line as described on page 12.

1. Using a 3/16" hex key, remove the plug (shown by arrow) from the Lower Gas Line in the bottom of the M4 Carbine Grip.
2. Locate the Remote Line connector supplied in your M4 Carbine accessory bag.
3. Using your fingers, start threading the Remote Line connector into the Lower Gas Line.
4. Tighten using 7/16" wrench until snug.



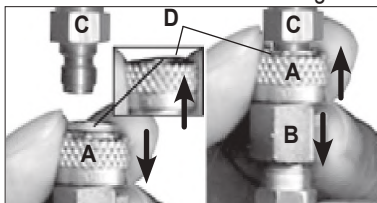
If either the plug or Remote Line connector is reinstalled into the grip, use teflon tape on the threads to prevent air leaks.

Installing the Remote Line System

1. Eye protection designed for airsoft use must be worn by the user and any person within range.
2. Unload the M4 Carbine (page 9) and remove any existing air/CO2 supply (page 17).
3. Put the Selector Switch in Safe mode (see page 6).
4. Cock the M4 Carbine by pulling the charging handle all the way back and allow it to return to the forward position. Always keep M4 Carbine in the cocked position when the air/CO2 supply is being attached to the M4 Carbine. This helps prevent an accidental discharge.

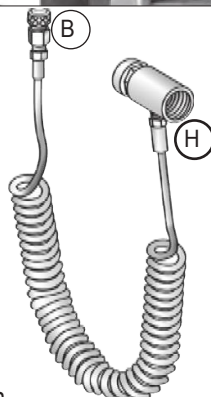
5. With no cylinder attached to the Remote Line, pull and hold the Remote Line fitting locking ring (A) down to connect or remove the Remote Line fitting (B).

6. To connect, hold down the Locking Ring (A), push the remote line fitting (B) onto the connector (C), and then release the locking ring to the lock position (D). Pull down on the Remote Line fitting (B) to be sure it is secured properly.

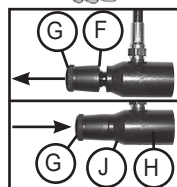


7. Turn off the Remote Line air/CO2 flow control valve (F) by turning the flow control knob (G) counterclockwise outward until it stops (see the top G in the illustration at right).

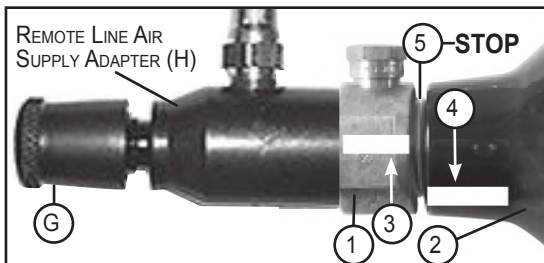
8. Install the air/CO2 cylinder to the Remote Line ASA (H). First mark the cylinder and cylinder valve if necessary (see *Air/CO2 Cylinder Warnings and Safety Tips* on pages 16-17). Lubricate the cylinder valve O-ring with Tippmann® Certified oil, then insert the cylinder valve end into the ASA of the Remote Line (H). Twist the cylinder clockwise into the ASA until it stops. Your M4 Carbine will be ready to fire once you:
 - turn on the flow control (G) clockwise until it stops (J),
 - switch the Selector Switch from Safe to Semi or Auto.



To turn off the air/CO2 supply, remove the magazine (page 9), turn the flow control (G) completely counterclockwise until it stops (F). The air line is still under pressure. Point the M4 Carbine in a safe direction and discharge any remaining gas by pulling the trigger until the M4 Carbine stops firing. To turn the air supply back on, first pull back on the charging handle, then turn flow control completely clockwise (J).



9. Air/CO2 Cylinder Removal from Remote Line ASA — You must first read the *Air/CO2 Cylinder Warnings* and *Safety Tips* on pages 16-17 before beginning the cylinder removal process in step 9. Unload the M4 Carbine magazine (page 9).
10. Refer to the illustration at right. Whenever you turn the air/CO2 cylinder (2) during removal, watch the mark (4) on the cylinder and the mark (3) on the cylinder valve to be sure that they rotate together. If you see the marks begin to separate (5), STOP! and take your M4 Carbine and cylinder to a qualified professional, such as a "C5" certified armsmith.

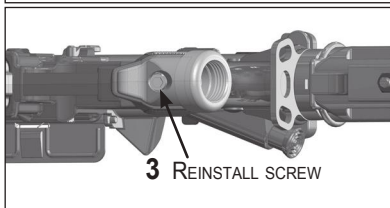
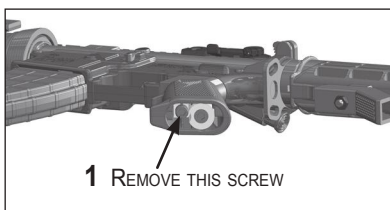


11. Put the trigger safety in Safe mode (see page 6).

Optional ASA Installation

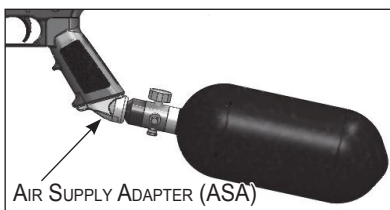
Only perform these steps after converting from 12g to ASA as described on page 12.

1. Unload the M4 Carbine (page 9) and remove any existing air/CO2 supply (page 17).
2. Put the Selector Switch in Safe mode (see page 6).
3. Remove the Socket Head Screw from the bottom of the Grip (arrow in graphic 1) and remove the Lower Gas Line Connector.
4. Align the ASA with the Gas Line (graphic 2) and insert into the Grip. Secure with the screw removed in step 2 shown in graphic 3.



HPA/CO2 Cylinder Installation

1. Cock the M4 Carbine by pulling the charging handle all the way back and allow it to return to the forward position. Always keep M4 Carbine in the cocked position when the air/CO2 supply is being attached to the ASA. This helps prevent an accidental discharge.
2. Eye protection designed for airsoft use must be worn by the user and any person within range.
3. Lubricate the cylinder valve O-ring with Tippmann Certified oil.
4. Insert the air/CO2 supply cylinder valve into the air/CO2 supply adapter (ASA) at the bottom of the grip.
5. Twist the cylinder clockwise into the air/CO2 supply adapter until it stops. Use caution as the M4 Carbine is now capable of firing after you put the Selector Switch in Fire mode.
6. To remove the cylinder, first unload the M4 Carbine (see page 9). Turn the cylinder approximately 3/4 turn counterclockwise. This allows the air supply pin valve to close so that no air will enter the M4 Carbine.



Point the M4 Carbine in a safe direction and discharge any remaining gas in the M4 Carbine by pulling the trigger until the M4 Carbine stops firing. If your M4 Carbine continues to fire, the cylinder pin valve has not closed yet (the cylinder pin valve could be longer than usual. Because of the variances in cylinder pin valve parts, each cylinder varies slightly on exactly how far it has to be turned) and you will have to turn the cylinder counterclockwise a little further and repeat this step until the M4 Carbine does not fire, then remove the cylinder. NOTE: If during this step, you turned the cylinder and it began to leak before you pulled the trigger, the cylinder O-ring should be checked for damage before reassembly (see *Repairing Air/CO2 Cylinder Leaks* on page 18).

Air/CO2 Supply Cylinder Warnings

WARNING

The brass or nickel plated cylinder valve (1) is intended to be permanently attached to the air or CO2 cylinder (2). An air or CO2 cylinder can fly off with enough force to cause serious injury or death if the cylinder unscrews from a cylinder valve.

Refer to the top graphic at right. There have been reported incidents caused by players unknowingly unscrewing the cylinder (2) from the cylinder valve (1). This occurs when the player thinks the entire valve-cylinder assembly is being unscrewed from the air/CO2 supply adaptor of the Air Gun, when in fact he/she is unscrewing the cylinder from the cylinder valve.

To avoid this danger, it is recommended (if your cylinder is not already marked) that you use paint or nail polish to place a mark (3) on the cylinder valve, and place another mark (4) on the cylinder, in line with the #3 mark as shown.

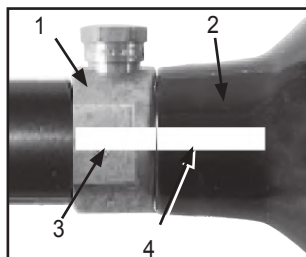
Whenever you turn the cylinder during removal, watch the marks on the cylinder and the cylinder valve to be sure that they rotate together. If at any time these marks start to separate as shown in the bottom graphic, the cylinder is starting to unscrew from the cylinder valve and you must **STOP** and take the entire unit to a "C5" certified airsmith for safe removal and/or repair.

NOTE: The cylinder valve should unscrew from the Air Gun in about 3 or 4 full turns. If you finish the 4th full turn and the cylinder valve is not unscrewed from the Air Gun, **STOP!** Take the entire unit to a "C5" certified airsmith for safe removal and/or repair. Locate a "C5" certified airsmith at www.paintball-pti.com.

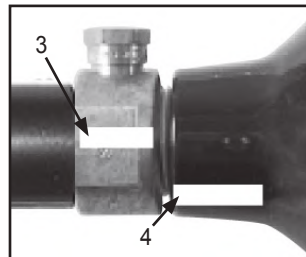
Whether you have a new or used refillable air or CO2 cylinder, you are at risk if any of the following has occurred:

- The valve unit was replaced or altered after purchase.
- An anti-siphon device was installed.
- The valve unit was removed from the cylinder for any reason.
- Any modification was done to the refillable air or CO2 cylinder.

If any of these conditions has occurred, take your air or CO2 cylinder to a "C5" certified airsmith for inspection or contact the cylinder manufacturer.



PROPERLY MARKED VALVE AND CYLINDER



MISALIGNED VALVE AND CYLINDER

Air/CO2 Supply Cylinder Safety Tips

SAFETY TIPS to ensure that your air or CO2 cylinder is safe for play:

- Improper use, filling, storage, or disposal of air or CO2 cylinder may result in property damage, serious personal injury, or death.
- Make sure that any maintenance or modification to any air or CO2 cylinder is done by a qualified professional, such as a “C5” certified airsmith.
- The use of anti-siphon devices is not recommended. However, if one is already installed on your air or CO2 cylinder or is desired, it is critical that your cylinder be checked by, or the device installed by, a qualified professional.
- All air or CO2 cylinders must be filled only by properly trained personnel.
- Cylinder valves must be installed only by properly trained personnel.
- Do not overfill a cylinder! Never exceed the air or CO2 cylinder’s capacity.
- Do not expose pressurized air or CO2 cylinder to temperatures exceeding 130 degrees Fahrenheit (55 degrees Celsius).
- Do not use caustic cleaners or strippers on the air or CO2 cylinder or cylinder valve and do not expose to corrosive materials.
- Do not modify the air or CO2 cylinder in any way. Never try to disassemble the cylinder valve from the air or CO2 cylinder.
- Any air or CO2 cylinder that has been exposed to fire or heated to a temperature of 250 degrees Fahrenheit (121 degrees Celsius) or more must be destroyed by properly trained personnel.
- Use appropriate gas for your cylinder. Only use CO2 in a CO2 cylinder and only use compressed air in a compressed air cylinder.
- Keep all cylinders out of the reach of children.
- The Air or CO2 cylinder should be inspected and hydrostatically retested at least every 5 years by a DOT licensed agency.
- Keep exposed skin away from escaping gas when installing or removing air/CO2 supply, or if the M4 Carbine or air/CO2 supply is leaking. Compressed air and CO2 gasses are very cold, and can cause frostbite under certain conditions.

NOTE: Locate a “C5” certified airsmith at www.paintball-pti.com.

Air/CO2 Supply Cylinder Removal

These instructions apply to either Air Supply Adapter (ASA) or Remote Line ASA installed cylinders.

1. Read *Air/CO2 Supply Cylinder Warnings* (page 16) and *Air/CO2 Supply Cylinder Safety Tips* (above) before beginning the cylinder removal process.
2. Eye protection designed for airsoft use must be worn by the user and any person within range.
3. Remove the magazine from the M4 Carbine.

4. For Remote Line ASA only, turn the Flow Control knob counterclockwise until it stops.
5. Set the Selector Switch to a fire position. Point the gun in a safe direction, and discharge any remaining gas in the gun by repeatedly pulling the trigger until the gun stops firing (this may take 4-5 shots). For grip ASA installed cylinders, if your gun continues to fire, the cylinder's pin valve has not closed yet (the cylinder pin valve could be longer than usual. Because of the variances in cylinder pin valve parts, each cylinder varies slightly on exactly how far it has to be turned). Turn the cylinder counterclockwise a little further and repeat this step until the gun does not fire. Only then remove the air/CO2 supply cylinder.
NOTE: If during this step, you turn the air/CO2 supply cylinder and it begins to leak before you pull the trigger, the cylinder O-ring should be checked for damage before any re-assembly (see *Repairing Air/CO2 Supply Cylinder Leaks* below).
6. After the air/CO2 supply cylinder is removed, again point and fire the gun in a safe direction to verify the gun is completely discharged of gas.
7. Move the Selector Switch to the Safe mode (see page 6).

Repairing Air/CO2 Supply Cylinder Leaks

The most common leak occurs from a bad air/CO2 supply cylinder valve O-ring. To replace a valve O-ring you must first remove the bad O-ring and then install a new one. This O-ring is located on the tip of your air/CO2 supply valve. The best valve O-rings are made of urethane. Urethane O-rings are not affected by high air/CO2 supply pressures. These may be purchased from Tippmann or your local airsoft dealer.

NOTE: If a new air/CO2 supply valve O-ring does not resolve an air/CO2 supply leak, do not attempt to repair the air/CO2 supply cylinder. Contact Tippmann Sports, LLC, your local airsoft dealer, or a "C5" certified airsmith.

Cleaning and Maintenance

- To reduce the chance of an accidental discharge, follow the *Unloading* instructions on page 9 and, if applicable, *Air/CO2 Supply Cylinder Removal* (on page 17).
 - Eye protection (safety glasses) must be worn.
 - Read and follow air/CO2 supply cylinder warnings and safety tips on pages 16-17.
 - Do not disassemble a gun while it is pressurized with air/CO2.
 - Do not pressurize a partially assembled gun.
 - Follow warnings listed on the air/CO2 supply cylinder for handling and storage.
 - Familiarize yourself with instructions listed on air/CO2 supply cylinder.
 - Contact the air/CO2 supply cylinder manufacturer with any questions.
 - Do not use any petroleum based cleaning solvents.
 - Do not use any cleaning solvents that come in aerosol cans.
- NOTE: Petroleum based products and aerosol products can damage your O-rings.

To clean your M4 Carbine exterior, use a damp towel to wipe off any debris. To maintain your M4 Carbine in good working condition, inspect, clean, and replace any damaged parts.

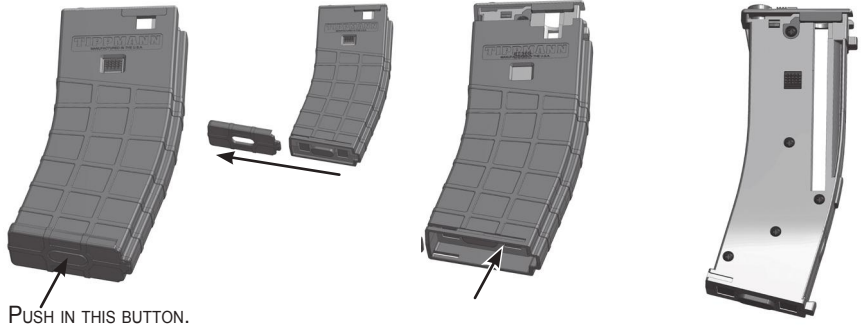
Lubricate the air/CO2 supply cylinder valve's O-ring with Tippmann® Certified Oil. 12 gram CO2 cartridges have a small amount of oil inside them. If you are using a HPA or CO2 cylinder, applying 3 to 4 drops of oil in the Puncture Valve Input Fitting (see top of page 11) lubricates internal drive

parts. Whenever the M4 is disassembled, apply oil to the Rear Bolt O-ring. Use Tippmann oil to lightly lubricate O-rings and springs.

The best valve O-rings are made of urethane. Urethane O-rings are not affected by high air/CO2 supply pressures. These may be purchased from Tippmann or your local airsoft dealer.

If your Magazine becomes dirty, you can use compressed air to blow away debris. Follow the following steps for disassembling the Magazine.

1. Push in the button on the bottom of the Magazine.
2. Slide the Shell Cap off from the Magazine.
3. Push on the bottom of the Magazine to slide the Inner Magazine Assembly out from the Magazine Outer Shell.
4. Use compressed air to blow away dust or debris.
5. When reassembling the Magazine, push in on the button to install the Shell Cap.



Storage

Before storage, always unload the M4 Carbine (page 9) and remove any air/CO2 supply (see page 17). Put the Selector Switch in Safe position (see page 6). Before storing your M4 Carbine make sure that it is cleaned and oiled (see *Cleaning and Maintenance*). Store your M4 Carbine with the bolt in the forward, uncocked position. Store your M4 Carbine in a dry area.

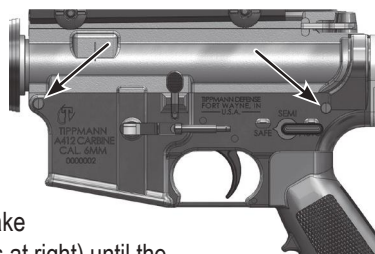
When removing your M4 Carbine from storage, make sure the Selector Switch is in Safe mode (see page 6).

M4 Carbine Disassembly and Assembly

Set up a workbench with plenty of workspace to make sure no small parts become lost. Follow these safety instructions at all times when disassembling or re-assembling your M4 Carbine.

- First follow *Unloading Your M4 Carbine* on page 9 and *Air/CO2 Supply Cylinder Removal* instructions on page 17.
- Always wear eye protection (like Safety Glasses) when performing any disassembly or re-assembly.
- Do not pressurize a partially assembled M4 Carbine.
- Put the M4 Carbine into the uncocked position. If your M4 Carbine is cocked, move the Selector Switch to a fire mode, point the M4 Carbine in a safe direction, and pull the Trigger.

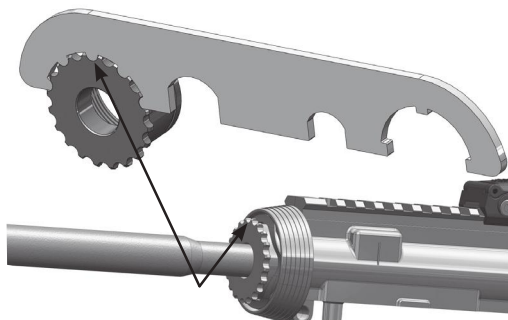
Disassembly instructions are listed here. To re-assemble, do the steps in the reverse order. Refer to the exploded view parts diagrams included in this manual. Item numbers for specific drawings are in parenthesis. For part numbers and quantities, refer to www.Tippmann.com.



1. On the left side of the Receiver, push in on the Take Down Pin and the Pivot Pin (shown by the arrows at right) until the pin heads are accessible on the right side.
2. From the right side of the M4 Carbine, pull out the Take Down Pin and the Pivot Pin until each stops. They are not completely removeable.
3. The Upper Receiver and the Lower Receiver can now be separated from each other.

Upper Receiver (refer to page 28)

1. Using your fingers, pull straight back on the Delta Ring (12) and remove the left Hand Guard half from the Barrel. Pull the rear edge out first, then the front edge. Repeat for the right Hand Guard half. You can add or remove Picatinny Rails to the Hand Guard only with the Hand Guard halves removed from the Barrel. When reassembling, install the right side first, then the left side.

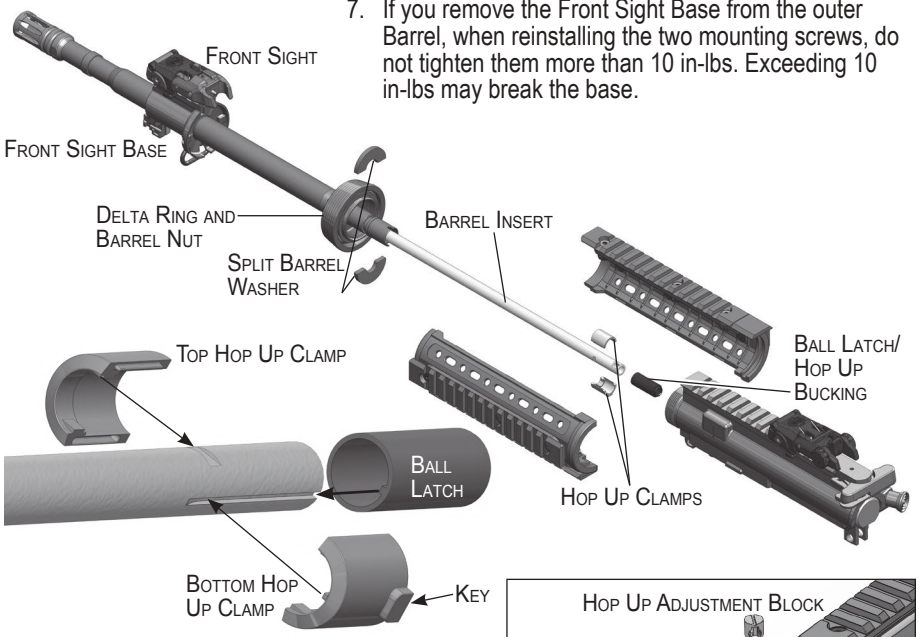


2. Back out the Hop Up Screw 3 turns from the stock position (see pages 10 and 11) to make barrel removal easier.
3. While pulling back on the Delta Ring, use the included wrench to loosen the Barrel Nut (9) to remove it from the Upper Receiver. Be ready to catch the Split Barrel Washer (8) when the Barrel Nut is loose. When tightening the Barrel Nut, make sure a valley (see arrows above) is at the 12 o'clock position for the Hand Guard to align correctly.
4. The entire Barrel Assembly (7) can now be pulled straight out from the Upper Receiver.

Barrel Assembly (refer to the next page for a parts diagram)

1. Pull the Barrel Insert out of the outer Barrel.
2. Remove the top and bottom Hop Up Clamp halves. When reinstalling, note that the top half is keyed to fit into the Upper Receiver in the proper orientation.
3. Remove the Ball Latch/Hop Up Bucking. When reinstalling, applying a small amount of silicone spray is acceptable. Note that the bottom of the Ball Latch and bottom Hop Up Clamp are keyed to fit onto the Barrel Insert in the proper orientation.
4. For reassembly, hold the Barrel Assembly with the Delta Ring upward. With one hand, hold the split washers on the Barrel. Next, pull the Delta Ring up to encase the Split Washers.
5. Insert the Barrel Insert with Hop Up Ball Latch (Bucking) and Clamps aligned with keyway in Upper Receiver.
6. Tighten the Barrel Nut (see *Upper Receiver* above).

7. If you remove the Front Sight Base from the outer Barrel, when reinstalling the two mounting screws, do not tighten them more than 10 in-lbs. Exceeding 10 in-lbs may break the base.



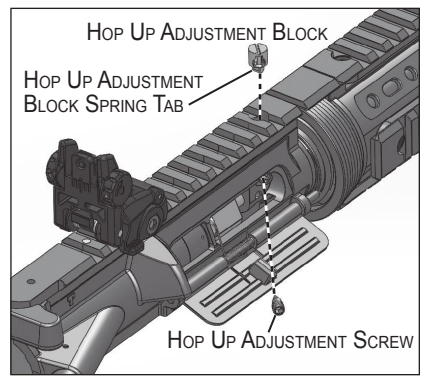
Hop Up Assembly

Remove the Hop Up Adjustment Block:

1. Remove adjustment screw.
2. Invert gun to allow adjustment block to fall from pocket in upper receiver.

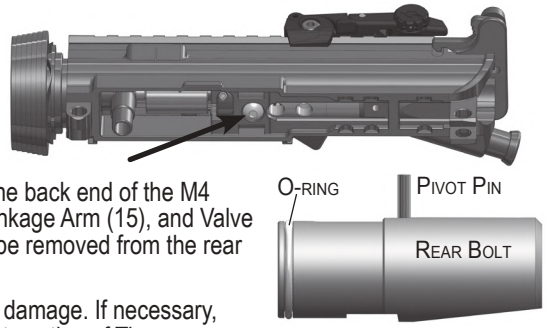
Install the Hop Up Adjustment Block:

1. Orient Hop up adjustment block with spring tab facing adjustment screw pocket. (Note that the slot on top of adjustment block will line up with adjustment screw direction.)
2. Insert adjustment block into receiver and lightly push until touching hop up bucking. (Ensure alignment of slot on top of adjustment block with screw direction.)
3. Insert adjustment screw until only 1-2 threads are exposed on screw.
4. Hop up system is now ready to be adjusted for accuracy/range (see page 10).



Rear Bolt

1. Remove the 10-32 Screw (23) from the bottom side of the Upper Receiver.
2. Pull the Charging Handle out 2 inches to expose the Bolt. Slide the Rear Bolt assembly out of the back end of the M4 Carbine. The Front Bolt (17), Linkage Arm (15), and Valve with Power Tube (14) can now be removed from the rear end of the Upper Receiver.
3. Inspect the Rear Bolt O-ring for damage. If necessary, replace the O-Ring. Apply a light coating of Tippmann Certified oil to the O-ring prior to reinstalling the Rear Bolt.

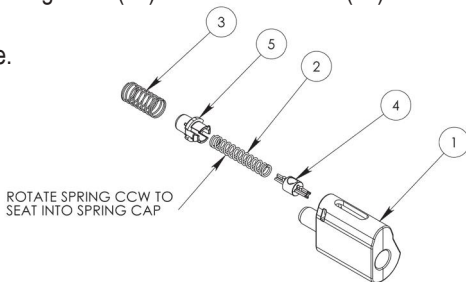


Front Bolt, Power Tube, and Valve

1. Referring to page 28, disconnect the Linkage Arm (15) from the Rear Bolt (16) and Front Bolt (17).
2. Slide the Front Bolt off the Power Tube.

3. The parts of the Front Bolt are:

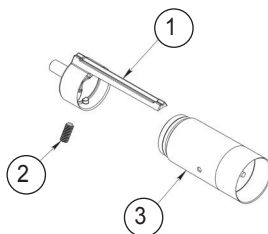
- (1) Front Bolt - ACT
- (2) Spring
- (3) Spring
- (4) Spring Keeper
- (5) Front Bolt Spring Cap



4. When reassembling, be sure the hole in item 4 is facing upwards. The Linkage Arm goes into this hole.

5. The parts of the Power Tube are:

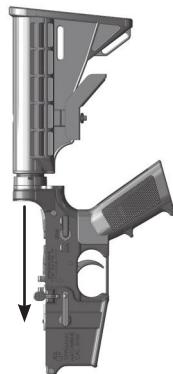
- (1) Power Tube
- (2) Set Screw, 8-32x3/8"
- (3) Valve Assembly



Lower Receiver

Refer to page 27.

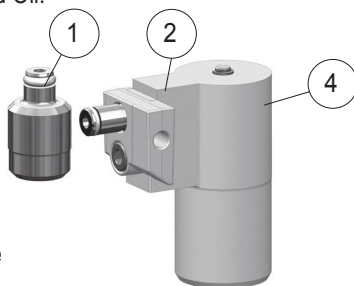
1. Remove the Selector Switch by pulling it out from the receiver side.
2. Make sure the Take Down Pin is out as far as it will go. It can not be completely removed.
3. Lift the Trigger Group (3) from the Lower Receiver.
4. Remove Screw (8) shown on page 27.
5. Lift the Puncture Valve (5) from the Lower Receiver.
6. To lubricate the Drive Spring (it's inside the Stock Tube), orient the Lower Receiver as shown. The Drive Spring is held in place using friction. A repeated quick movement downward slides the Drive Spring out enough to grab hold of it. Lubricate with Tippmann Certified Oil.



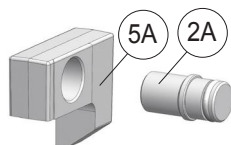
Puncture Valve Assembly

The Puncture Valve Assembly (as shown at right) is used when a 12 gram CO2 cartridge is installed in the magazine supplied with your M4

Carbine. If you are using a Remote Air Line, ASA air delivery system, or an aftermarket magazine, you need to remove the Puncture Valve Assembly as described on page 12 and use parts 2A and 5A from the accessory bag (included with the M4 Carbine).



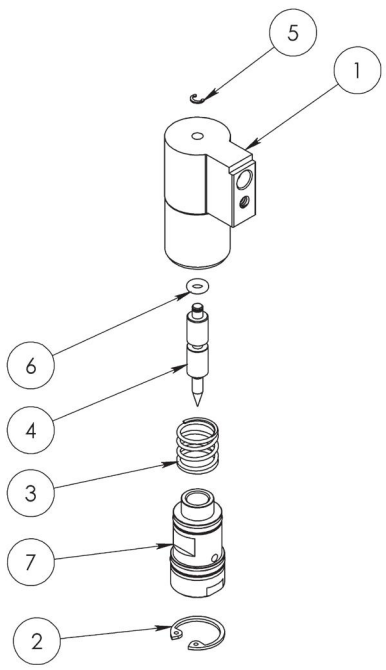
ITEM	PUNCTURE VALVE ASSY DESCRIPTION
1	Puncture Valve Complete
2	Puncture Valve Gas Line Complete
2A	Fitting Plug (for Remote Line or ASA use only)
4	Input Fitting, Dual Feed, Complete
5A	Fitting Plug Locking Tab (for Remote Line or ASA use only)



Puncture Valve Body Assembly

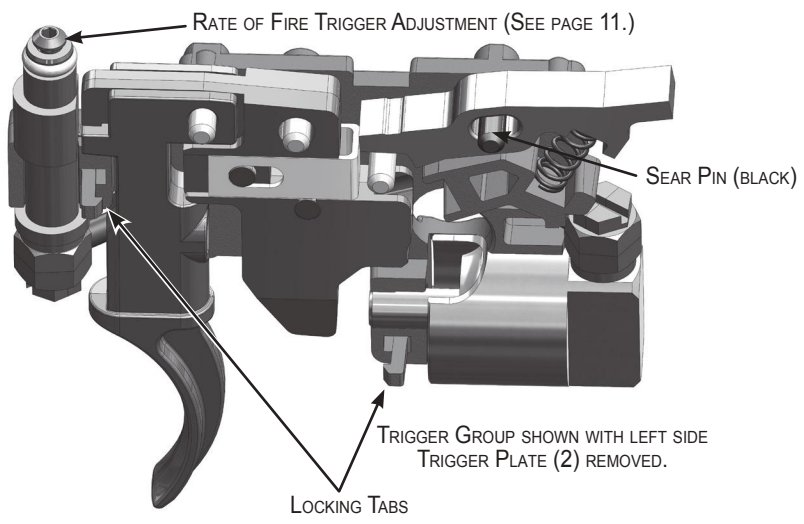
ITEM	PUNCTURE VALVE BODY DESCRIPTION
1	Puncture Valve Body
2	9/16" Internal Retaining Ring
3	Spring
4	Puncture Pin
5	C-Clip
6	O-ring, CU, 70A, 2-006
7	Puncture Piston Complete

1. Remove and set aside the Internal Retaining Ring (2).
2. Remove C-Clip (5). Push a 1/16" hex key through the hole on top of item 1, moving the Puncture Piston (7) from the Puncture Valve Body (1). Lubricate the O-rings with provided Tippmann Certified Grease.
3. Inspect the Spring (3) and O-ring (6) for wear, and replace if necessary.
4. Reinstall all parts into the Puncture Valve Body and retain by installing the top C-Clip (5), then the Internal Retaining Ring (2).



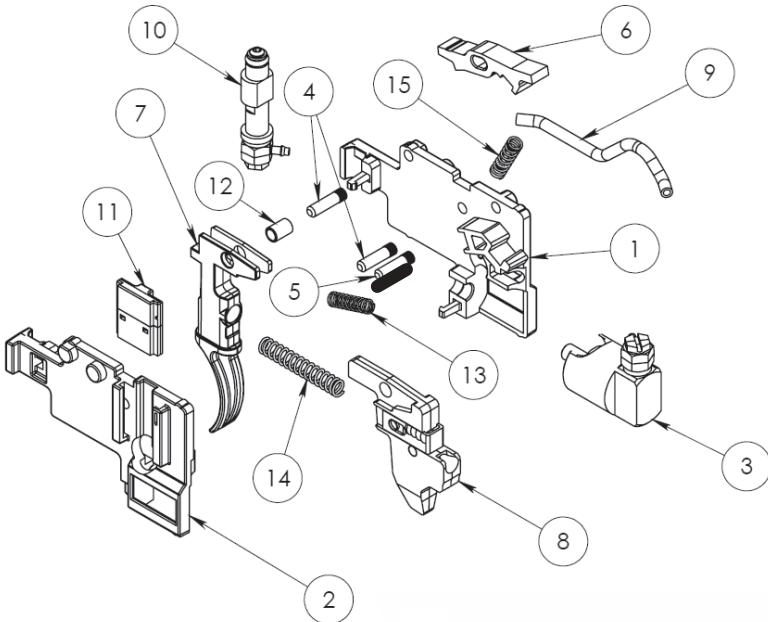
Trigger Group Assembly (parts diagram and parts list are on the next page)

1. Remove the Selector Switch by pulling it out from the receiver side.
2. Lift the Trigger Group Assembly from the Lower Receiver.
3. Lay the Trigger Group on its right side. Gently pry two locking tabs (see graphic below) clear of the retaining holes. Lift the left Trigger Plate (2) from the assembly.



4. Inspect all the Springs for wear, replace if necessary.
5. When reassembling the Trigger Group, make sure the Springs and Dowel Pins are in their proper places. It is very important that the Sear Pin (5, black) is in the proper location. Refer to the provided illustrations.
6. Reinstall the Trigger Group to the M4 Carbine.
7. The Trigger Group must be in place to adjust the Flow Control (11). Use a 1/16" hex key in the location shown to change the rate of fire (see page 11).

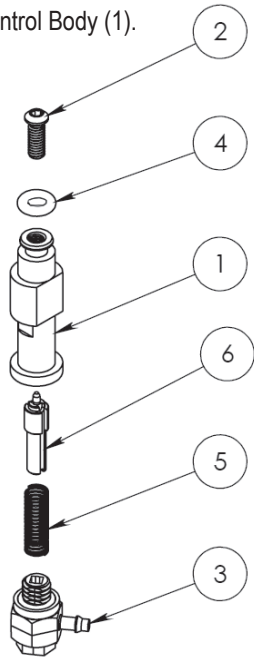
ITEM	TRIGGER GROUP ASSEMBLY DESCRIPTION
1	Trigger Plate, Right
2	Trigger Plate, Left
3	Response Cylinder Assembly
4	Dowel Pin, 1/8 x 1/2, Knurled
5	Dowel Pin, Black
6	Sear
7	Front Trigger
8	Rear Trigger Complete
9	Response Gas Line, 5/64" ID x 1/8" OD
10	Flow Control Complete
11	Safety Detent Complete
12	Trigger Bushing
13	Spring, Compression
14	Spring, Comp., 1.174" FL x 0.188" OD
15	Spring, Comp., 0.600" FL x 0.172" OD



Flow Control Assembly

1. Remove the Set Screw (2) by unthreading from the Flow Control Body (1).
2. Inspect the O-Ring (4) for damage and replace if necessary.
3. Remove the Banjo Fitting (3) to access the Flow Control Machined Pin (6) and the Spring (5).

ITEM	FLOW CONTROL ASSEMBLY DESCRIPTION
1	Flow Control Body
2	#4-48 x 5/16" Set Screw with Vent
3	Banjo Fitting Assembly
4	O-Ring, 2-006
5	Spring
6	Flow Control Machined Pin



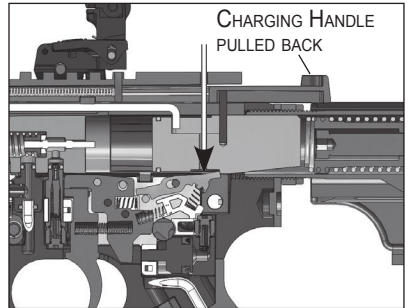
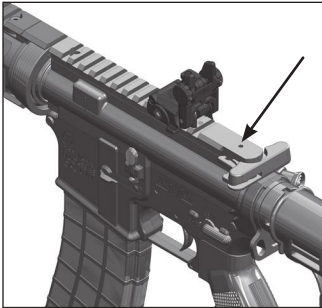
Troubleshooting

Problem: You cannot pull the Trigger back.

Solution: Unload and remove the magazine. Remove the air supply. Move the Selector Switch to Semi or Auto position. Pull the Trigger to see if it will now move back when pulled.

Problem: Pulling the Trigger does not release the Rear Bolt.

Solution: Manually release the Sear from the Rear Bolt by doing the following: Remove the air supply (release the Magazine from the receiver, turn off the Remote Line, or remove air supply cylinder from the ASA, see pages 16 - 17). Remove and unload the magazine. Find the hole in the top of the Charging Handle. Pull back the Charging Handle until you can insert a 3/32" hex key into the hole. As shown in the right graphic (double arrow), push down with the hex key to release the Sear from the Rear Bolt. You will hear a click when the Sear releases the Rear Bolt.



Problem: Pulling the Trigger does not fire an airsoft BB.

Solution: The barrel may have a broken BB lodged inside it. Airsoft BBs not labeled as Precision BBs may break in the barrel when firing. Follow the instructions on page 20 to remove the barrel for cleaning.

Problem: You are unable to close the M4 Carbine when using an aftermarket magazine.

Solution: Remove the Puncture Valve as described on page 12. If the Puncture Valve is not removed, there will be interference when you try to close the M4 Carbine while using an aftermarket magazine.

M4 Carbine Low Energy Air Gun

MANUFACTURED BY

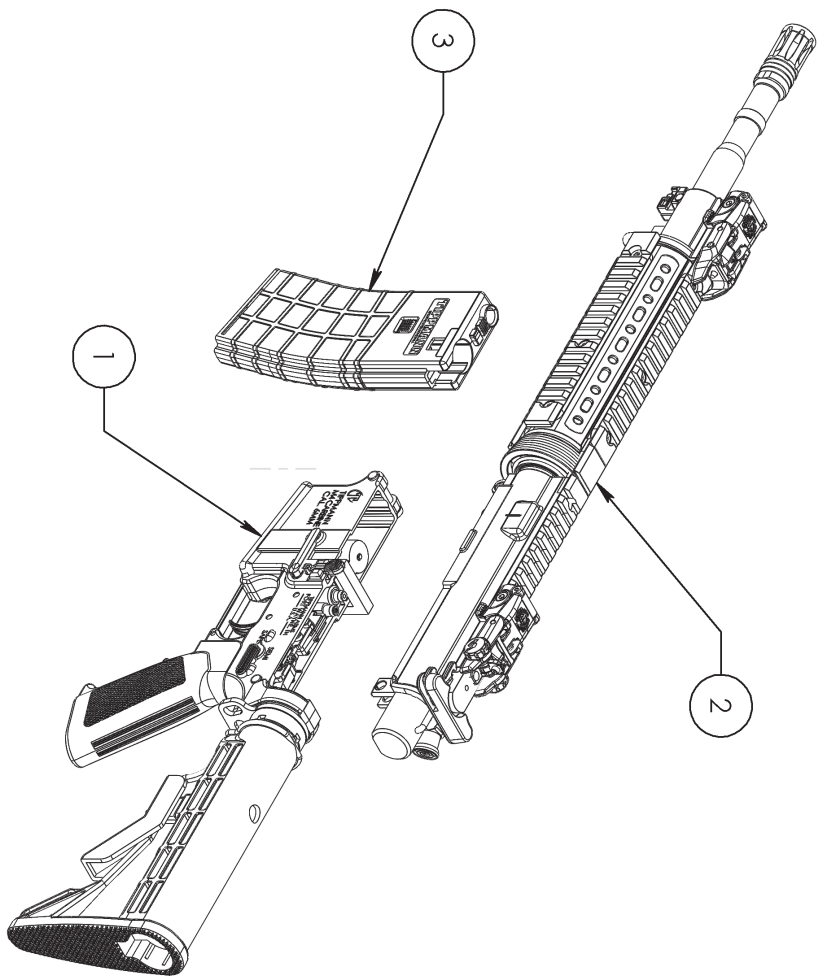
TIPPMANN®

1-800-533-4831

www.Tippmann.com

ITEM	DESCRIPTION
1	Lower Receiver Assembly
2	Upper Receiver Assembly
3	12 Gram Magazine Complete

For part numbers and quantities, refer to www.Tippmann.com.



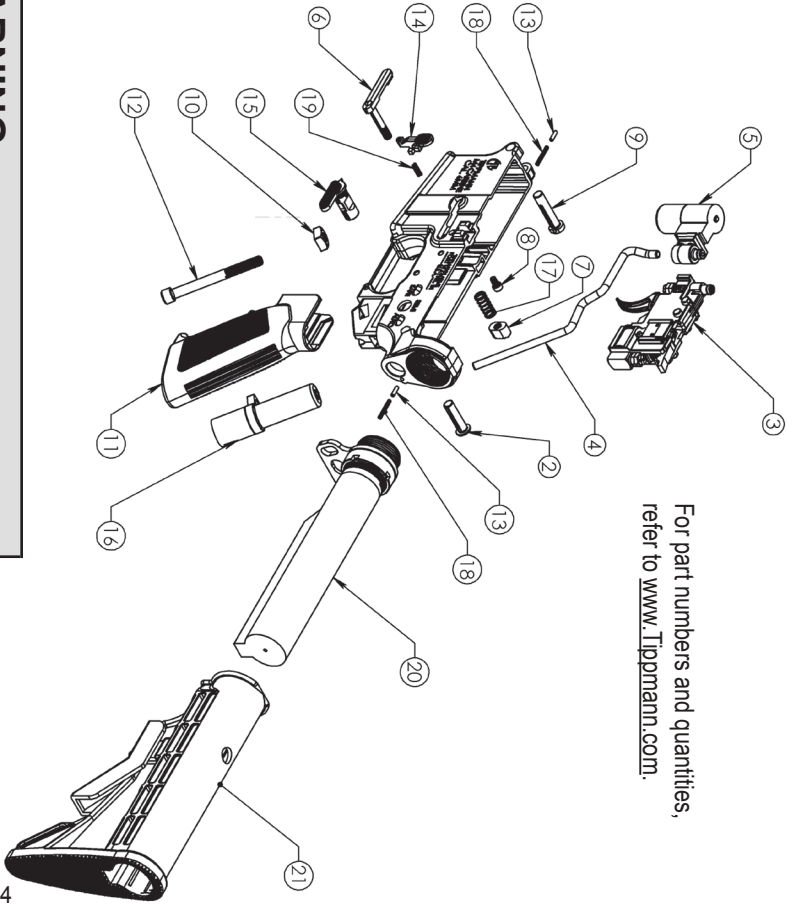
VER. 02/10/14

Lower Receiver Assembly

ITEM	DESCRIPTION
1	Lower Receiver
2	Take Down Pin
3	Trigger Group Complete
4	Air Line, Main
5	Puncture Valve with Locking Tab and Fitting
6	Magazine Catch
7	Magazine Latch Button
8	SHCS #6-32 X 1/4"
9	Pivot Pin
10	Nut, Square 1/4-20
11	Grip
12	SHCS - 1/4-20 UNC X 2.5"
13	Pin Detent
14	Bolt Catch
15	Safety
16	Lower Gas Line Connector Complete
17	Spring, Comp., 1.156" F.L., X 0.297" O.D.
18	Spring, Comp., 0.750" F.L X 0.84" O.D
19	SPRING, COMP., 0.120" O.D., X 0.438" F.L.
20	Collapse Stock Tube Complete
21	Collapse Butt Stock Complete

⚠ WARNING

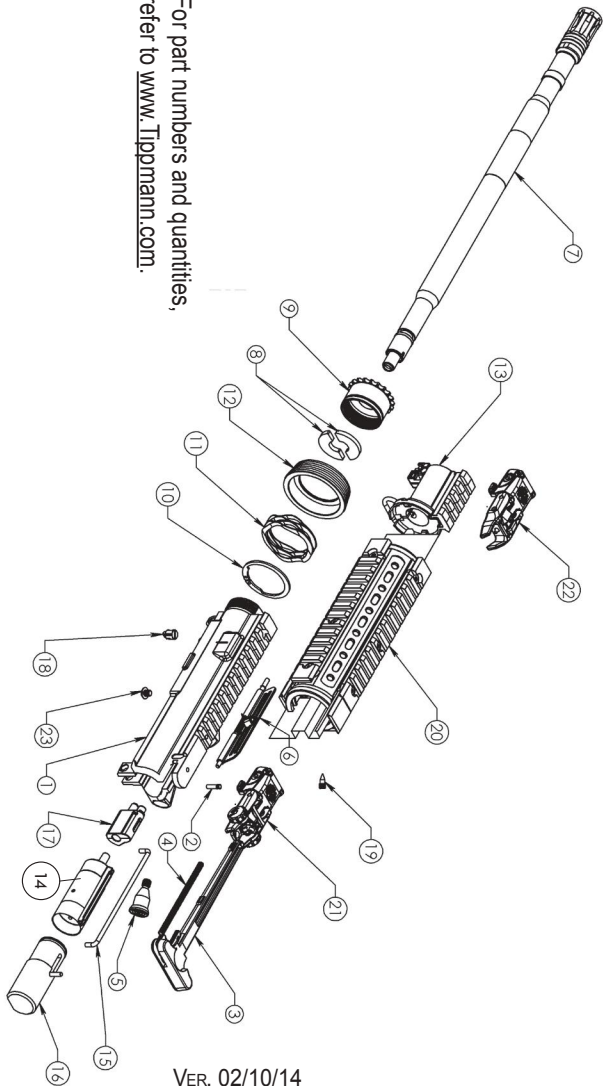
Do not disassemble this M4 Carbine while it is pressurized with air/CO2. Do not pressurize a partially assembled air gun.



For part numbers and quantities, refer to www.Tippmann.com.

Upper Receiver Assembly

ITEM	DESCRIPTION
1	Upper Receiver
2	Dowel Pin, Black
3	Charging Handle Assembly
4	Spring, Comp. 3.43" FL. x 0.170" OD
5	Forward Assist Button
6	Ejection Port Cover Assembly
7	Barrel Assembly
8	Barrel Washer, Split
9	Barrel Nut
10	Snap Ring, Hand Guard
11	Wave Spring
12	Delta Ring
13	Front Sight Mount, Complete
14	Valve Assembly with Power Tube
15	Linkage Arm
16	Rear Bolt Complete
17	Front Bolt Assembly
18	Adjusting Block, HU
19	Set Screw, #10-32 UNF Tapered Point
20	Modular PIC Rail Handguard
21	Rear Flip Up Sight
22	Front Flip Up Sight
23	Screw, #10-32 x 3/16" BHSCS



For part numbers and quantities, refer to www.Tippmann.com.

▲ WARNING

Do not disassemble this M4 Carbine while it is pressurized with air/CO2. Do not pressurize a partially assembled air gun.

VER. 02/10/14

M4 Carbine Low Energy Air Gun Specifications

Model.....	M4 Carbine
Caliber	6mm
Action.....	Realistic Hard Kick Recoil Blowback
Power/Air Supply.....	12g CO2 Powered Magazine Standard; CO2 or HPA via Remote Line/ASA Options
Fire Modes.....	Semi-Auto, Full-Auto, and Safety
Hop Up	Adjustable
Magazine Capacity	80 rounds of airsoft BBs
Cycle Rate	8-20 shots per second
Standard Barrel Length	14.3" / 363 mm
Overall Length (with standard barrel, stock fully compressed).....	29.3" / 743 mm
Overall Length (with standard barrel, stock fully extended).....	33.0" / 838 mm
Weight	5.5 lbs. / 2.5 Kg

Velocity: Always measure your M4 Carbine's velocity before playing airsoft and never shoot at velocities in excess of the velocity established by the playing field (see page 10).

Warranty and Repair Information

TIPPMANN SPORTS, LLC (“Tippmann”) is dedicated to quality airsoft products and outstanding service. In the unlikely event of a problem with this Tippmann Low Energy Air Gun (“LEAG”) and/or Tippmann accessories (“Accessories”), Tippmann’s customer service personnel are available to assist you. For customer service and/or other information, please contact:

Tippmann Sports, LLC

2955 Adams Center Road
Fort Wayne, IN 46803
www.Tippmann.com
1-800-533-4831

Tippmann Sports Europe, SPRL

Rue du Mont D’Orcq 16
Z.I. Tournai Ouest, 7503 Froyennes, Belgium
www.Tippmann.com
Telephone +32 (0) 69 549 578

Warranty Registration

To activate the LEAG’s Limited Warranty, you must register the LEAG within thirty (30) days of the date of original retail sale by:

1. Registering online at www.Tippmann.com; or
2. Completing the attached warranty registration card and returning it to Tippmann at the address above.

The Limited Warranty for Tippmann Accessories does not require activation or registration; by registering the LEAG, you activate the warranty for the Accessories.

Limited Warranty

Tippmann warrants to the original purchaser that it will make any repairs or replacements necessary to correct defects in material or workmanship, at no charge to you, for the LEAG for a period of one (1) year from the date of original retail sale. Further, Tippmann warrants to the original purchaser that it will make any repairs or replacements necessary to correct defects in material or workmanship, at no charge to you, for Tippmann Accessories for a period of ninety (90) days from the date of original retail sale. All Tippmann asks is that you properly maintain and care for the LEAG and Accessories (collectively, the “Product”) and that you have warranty repairs performed by Tippmann or a Tippmann Certified Tech Center.

This Limited Warranty is non-transferable, and it does not cover damage or defects to the Product caused by (a) improper maintenance; (b) alteration or modification; (c) unauthorized repair; (d) accident; (e) abuse or misuse; (f) neglect or negligence; and/or (g) normal wear and tear.

Tippmann does not authorize any person or representative to assume or grant any other warranty obligation with the sale of this Product.

THIS IS THE ONLY EXPRESS WARRANTY GIVEN WITH THE PURCHASE OF THIS PRODUCT; ANY AND ALL OTHER EXPRESS WARRANTIES ARE DISCLAIMED. THE IMPLIED WARRANTIES OF MERCHANTABILITY AND FITNESS FOR A PARTICULAR PURPOSE ARE LIMITED TO THE APPLICABLE LIMITED WARRANTY PERIOD SET FORTH HEREIN, AND NO WARRANTIES, WHETHER EXPRESS OR IMPLIED, SHALL APPLY AFTER EXPIRATION OF SUCH PERIOD.

Some states and nations do not allow limitations on the duration of implied warranties, so the above limitation may not apply to you.

The sole and exclusive liability of Tippmann and/or its authorized dealers under this Limited Warranty shall be for the repair or replacement of any part or assembly determined to be defective in material or workmanship.

TIPPMANN SHALL NOT BE LIABLE FOR, AND YOU EXPRESSLY DISCLAIM, ANY DIRECT, INDIRECT, CONSEQUENTIAL OR INCIDENTAL DAMAGES (COLLECTIVELY, "DAMAGES") ARISING OUT OF THE SALE OR USE OF, OR YOUR INABILITY TO USE, THE PRODUCT. NO PAYMENT OR OTHER COMPENSATION WILL BE MADE FOR DAMAGES, INCLUDING INJURY TO PERSON OR PROPERTY OR LOSS OF REVENUE WHICH MIGHT BE PAID, INCURRED OR SUSTAINED BY REASON OF THE FAILURE OF ANY PART OR ASSEMBLY OF THE PRODUCT.

Some states and nations do not allow the exclusion or limitation of incidental or consequential damages, so the above limitation or exclusion may not apply to you. This warranty gives you specific legal rights, and you may also have other rights that may vary from state to state or nation to nation.

Warranty and Non-Warranty Repairs

When shipping the Product to Tippmann for warranty or non-warranty repair:

1. If you have aftermarket parts on your Low Energy Air Gun (LEAG), please test the LEAG with original stock parts before returning the LEAG for service or repair.
2. Always unload (page 9) and remove the air/CO2 supply from the LEAG (page 17). Do not ship the air/CO2 supply cylinder if it is not completely empty.
3. Ship the Product to the Tippmann address identified.
4. You must pre-pay postage and delivery charges.
5. Provide the date of purchase for the Product.
6. Briefly describe the repair requested.
7. Include your name, return address and a telephone number where you can be reached during normal business hours, if possible.

Tippmann makes every effort to complete its repair work within twenty-four (24) hours of receipt. Tippmann will return the Product to you via regular ground UPS. If you wish to have it returned using a faster service, you can request NEXT DAY AIR UPS OR SECOND DAY AIR UPS, but you will be charged for this service and must include your credit card number with the expiration date. Your credit card will be charged the difference in additional cost over regular ground shipping service.

• NOTES • NOTAS •

AVERTISSEMENT

Ceci n'est pas un jouet. Une mauvaise utilisation peut provoquer des blessures en particulier aux yeux. Le port de la protection des yeux conçue pour les répliques LEAG est obligatoire pour l'utilisateur et toute personne à portée de tir. Lisez le Manuel d'utilisateur avant d'utiliser ce produit.

Nous recommandons d'avoir 18 ans pour acheter une réplique. Toute personne n'ayant pas 18 ans doit être accompagnée d'un adulte lors de l'utilisation de ce produit. Vous devez vous conformer à toutes les réglementations, Fédérales, et locales régissant la possession et l'utilisation de répliques. Les parents ne doivent pas autoriser les mineurs d'âge à amener ce produit à l'école. La possession de ce produit à l'école peut être considérée comme un crime.

AVERTISSEMENT

Ne brandissez pas et ne montrez pas cet objet en public car cela pourrait provoquer la panique et être retenu comme un crime. La Police ou d'autres personnes pourraient confondre ce produit avec une arme à feu réelle. Toute modification de couleur ou de marques requis par la loi pour faire en sorte que ce produit soit plus ressemblant à une arme à feu est dangereux et pourrait constituer un crime.

AVERTISSEMENT

Assurez-vous toujours que le Sélecteur est en mode Sécurité (voir instructions à la page 6) sur votre réplique afin d'éviter des dégâts matériels, des blessures graves ou la mort.

Carabine M4

FABRIQUÉ PAR **TIPPMANN®**

Tippmann Sports, LLC

2955 Adams Center Road, Fort Wayne, IN 46803 USA
P) 260-749-6022 • F) 260-749-6619 • www.Tippmann.com

Tippmann Sports Europe, SPRL

Rue du Mont D'Orcq 16, Z.I. Tournai Ouest, 7503 Froyennes, Belgium
Telephone +32 (0) 69 549 578 • europeservice@tippmann.com • www.Tippmann.com

FELICITATIONS pour l'achat de votre carabine Tippmann M4 LEAG (Low Energy Air Gun). Cette carabine M4 sera très fiable si vous l'entretenez correctement.

Prenez le temps de lire ce manuel en profondeur et de vous familiariser avec les pièces, l'utilisation et les précautions de sécurité du M4 avant de le charger ou de tirer. Si vous avez une pièce manquante ou cassée, ou si vous avez besoin d'assistance, veuillez contacter le service clientèle de Tippmann au 1-800-533-4831 pour un service rapide et convivial.

Table des Matières

Avertissements/ Déclaration de Responsabilité	3
Préparation	5
1. Charger le chargeur	5
2. Installation d'une cartouche de CO2 (12 gr)	6
3. Tirer avec votre M4	6
4. Décharger votre M4	6
Réglage de la vitesse et Réglage du Hop Up	7
Réglage de la cadence de tir	8
Verrou de tournoi	8
Alimentation en air alternative du M4	9
Passer d'une Cartouche de 12 gr de CO2 à une Ligne à Distance ou AAA	9
Passer d'une Ligne à Distance ou AAA à une Cartouche de 12gr de CO2	10
Installer le connecteur de ligne à distance fourni	11
Installer le système de ligne à distance	11
Installation de l'AAA en option	12
Installation d'une bouteille d'air haute pression/CO2	12
Avertissements concernant la bouteille d'air/CO2	13
Conseils de sécurité concernant la bouteille d'air/CO2	14
Démontage de la bouteille d'air/CO2	15
Réparer les fuites de la bouteille d'air/CO2	15
Nettoyage et entretien	15
Rangement	16
Montage et démontage du M4	17
Le receveur supérieur	17
Ensemble du canon	18
Montage du Hop Up	18
Culasse arrière	19
Culasse avant, Power tube et Valve	19
Receveur inférieur	20
Ensemble de la valve de perçage	20
Montage de la valve de perçage	21
Ensemble de la détente	21
Contrôle de Flux	23
Dépannage	23
Spécificités de la carabine M4	24
Carbine M4	25
Receveur inférieur	26
Le receveur supérieur	27
Informations concernant la garantie et la réparation	28

Avertissements/ Déclaration de Responsabilité

Cette réplique est classée comme arme dangereuse et est distribuée par Tippmann Sports, LLC. L'acquéreur assume toute la responsabilité en cas d'utilisation dangereuse ou toute action qui constituerait une violation de toute loi ou réglementation applicable. Tippmann Sports, LLC, rejette toute responsabilité en cas de blessure, dégâts matériels ou mort résultant de l'utilisation de cette arme sous toutes circonstances, y compris pour toute décharge intentionnelle, imprudente, négligente ou accidentelle.

Toute information contenue dans ce manuel est susceptible d'être modifiée sans avertissement. Tippmann Sports, LLC, se réserve le droit d'effectuer des modifications et des améliorations sur ses produits sans aucune obligation de les intégrer à des produits vendus au préalable.

Si, en tant qu'utilisateur, vous refusez cette responsabilité, Tippmann Sports, LLC, exige que vous n'utilisiez pas de réplique Tippmann Sports, LLC. En utilisant cette réplique vous déchargez Tippmann Sports, LLC de toute responsabilité associée à son utilisation.

La sécurité est votre responsabilité!

⚠ AVERTISSEMENT	
<p>Lorsque vous n'utilisez pas votre réplique, assurez-vous toujours que le mode Safe est activé.</p> <p>Pour activer le mode Sécurité: Déplacez le Sélecteur pour que le trait pointe sur "SAFE" comme indiqué.</p> <p>Pour passer en mode Tir: Déplacez le Sélecteur pour qu'il indique soit "SEMI" soit "AUTO".</p>	

En étant propriétaire de cette réplique, vous assumez l'entière responsabilité d'une utilisation sûre et respectueuse des lois. Afin d'assurer votre sécurité ainsi que celle des personnes autour de vous, vous devez respecter les mêmes précautions de sécurité que pour toute autre arme à feu. Nous soulignons ici quelques précautions générales dont vous devez avoir connaissance. L'utilisateur doit, à tout moment, être prudent et faire preuve de bon sens lors de l'utilisation de cette réplique, et se rappeler que la pratique de l'airsoft ne peut survivre et croître que s'il reste un jeu sûr!

- Transportez et utilisez toujours votre réplique prudemment.
- Choisissez des cibles sûres et appropriées.
- L'usure des backstops doit être inspectée avant et après chaque utilisation. Arrêtez l'utilisation de la réplique si la surface du backstop montre des signes de cassure. Étant donné que la surface du backstop cassera tôt ou tard, assurez-vous de le placer dans un endroit sûr au cas où il casserait. Arrêtez d'utiliser le backstop si une BB rebondit ou fait un ricochet dessus.
- Ne chargez pas et ne tirez pas avec cette carabine M4 sans avoir lu entièrement ce manuel et vous être familiarisé avec ses particularités de sécurité, son opération mécanique et sa manipulation.
- Manipulez cette réplique ou toute autre réplique comme si elle était chargée à tout instant.
- Ne mettez pas votre doigt sur la détente tant que vous n'êtes pas prêt à tirer.
- Ne regardez pas le canon d'une réplique. Une décharge accidentelle dans les yeux peut causer une blessure permanente ou la mort.

- Maintenez le M4 en mode sécurité tant que vous n'êtes pas prêt à tirer (page 3).
- Ne pointez jamais la réplique sur une chose sur laquelle vous n'avez pas l'intention de tirer.
- Ne tirez jamais sur une chose sur laquelle vous n'avez pas l'intention de tirer, puisqu'il se peut que des BB ou des débris extérieurs soient logés dans la chambre ou le canon.
- Ne tirez pas sur des objets fragiles comme des vitres.
- Afin d'éviter les ricochets, ne tirez pas sur les surfaces plates et dures ou sur l'eau.
- Ne tirez jamais sur des objets appartenant à d'autres personnes. L'impact d'un BB d'airsoft peut causer des blessures.
- Gardez toujours le canon pointé vers le bas ou dans une direction sûre. Même lorsque vous trébuchez ou si vous tombez, gardez le canon dans une direction sûre.
- Le port de la protection pour les yeux, le visage et les oreilles conçue spécifiquement pour arrêter les BB sous la forme de lunettes et de masques complets est obligatoire pour l'utilisateur ou toute personne à portée de tir.
- Ne tirez jamais vers une personne qui ne porte pas de protection des yeux, du visage et des oreilles conçue pour l'airsoft.
- Ne chargez et ne mettez le M4 sous pression que lorsqu'il va être utilisé dans l'immédiat.
- Rangez votre M4 dans un endroit sûr. Il doit être déchargé, dégazé, en mode Safe. NOTE: Avant l'entreposage ou le démontage, assurez-vous d'enlever toutes les BB et l'alimentation d'air/CO2 (voir les instructions de déchargement et de retrait de la bouteille d'air comprimé/CO2 en pages 6 et 15).
- Rangez votre M4 déchargé dans un endroit sûr et de façon appropriée. Vérifiez toujours qu'il est bien déchargé lorsque vous le sortez de l'endroit où il est rangé ou si vous le recevez d'une autre personne.
- N'effectuez pas de démontage partiel ou complet de la réplique tant qu'elle est sous pression avec de l'air/CO2.
- Habillez-vous en conséquence lorsque vous jouez une partie d'airsoft. Évitez d'exposer votre peau lorsque vous jouez à l'airsoft. Une couche, même fine absorbera une partie de l'impact et vous protégera des BB.
- Protégez les parties de peau exposées des échappements de gaz lorsque vous installez ou retirez la bouteille d'air/CO2 ou s'il y a une fuite au niveau du M4 ou de l'alimentation en air/CO2. L'air comprimé, le CO2 et l'azote sont très froids et peuvent provoquer des gelures dans certaines conditions.
- N'utilisez que des BB de dimension appropriée. Ne jamais charger ou tirer sur des objets étrangers.
- Évitez les boissons alcoolisées avant et pendant l'utilisation de cette réplique. La manipulation d'armes à air sous l'influence de drogues ou d'alcools est une atteinte criminelle à la sûreté publique.
- Évitez de tirer sur un adversaire à bout portant, à 6 pieds (2 m) ou moins.
- Familiarisez-vous avec les instructions figurants sur la bouteille d'air /CO2 ou sur l'adaptateur. Pour toute question, contactez le fabricant de bouteilles d'air/CO2.
- Lisez les Avertissements et les Conseils de Sécurité de la bouteille d'alimentation d'air aux pages 13-15 avant d'installer ou d'enlever la bouteille.
- Mesurez toujours la vitesse de votre réplique avant de jouer à l'airsoft et ne tirez jamais à des vitesses supérieures à celles établies sur le terrain (voir instructions en page 7).
- Ne brandissez pas et ne montrez pas cet objet en public car cela pourrait provoquer la panique et être retenu comme un crime. La Police ou d'autres personnes pourraient confondre ce produit avec une arme à feu réelle. Toute modification de couleur ou de marque requise par la loi pour faire en sorte que ce produit soit plus ressemblant à une arme à feu est dangereuse et pourrait constituer un crime.

Préparation

Cette carabine Tippmann® M4 offre trois possibilités de tirs avec des BB:

#1 - Le chargeur contient une cartouche standard de 12 grammes de CO2 pour alimenter le M4.

#2- L'alimentation pour une ligne d'air à distance (comprise, mais nécessite une ligne d'air ainsi qu'une source d'air) est installée dans le grip. Nécessite une modification de la valve de perçage (voir pages 9-10). Connectez la ligne à distance à une bouteille d'air à haute pression ou de CO2 réglée à 800 PSI. Un chargeur de seconde main peut être utilisé pour cette méthode.

#3 - Achetez un kit Adaptateur d'Alimentation en Air (AAA) Tippmann et installez-le dans le grip inférieur pour l'utiliser avec une bouteille d'air à haute pression (réglée à 800 PSI ou moins) ou de CO2 pour le connecter directement à la réplique. Nécessite une modification de la valve de perçage (voir pages 9-10). Un chargeur de seconde main peut être utilisé pour cette méthode.

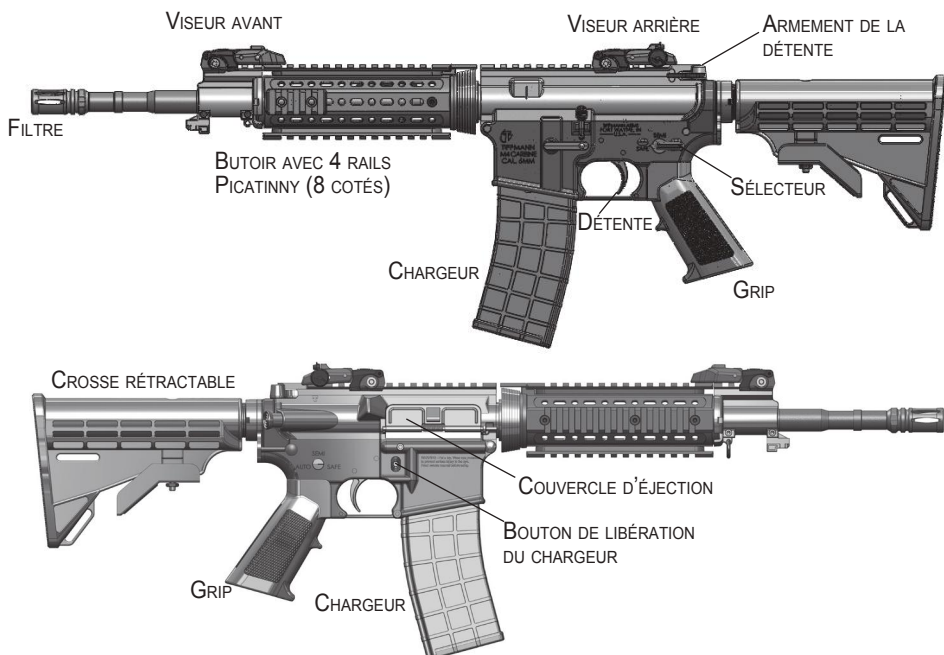
- Le port de la protection des yeux conçue pour l'airsoft est obligatoire pour l'utilisateur et toute personne à portée de tir.
- Ne démontez pas ce M4 tant qu'il est sous pression.
- Ne mettez pas sous pression un M4 partiellement assemblé.
- Lisez entièrement chaque étape avant de la réaliser.

NOTE: Serrez d'abord prudemment à la main toutes les pièces filetées lors de l'assemblage sans serrer trop fort pour éviter de les endommager.

1. Charger le chargeur

Le Sélecteur doit être en mode Sécurité (voir page 3).

- a. Appuyez sur le bouton de libération du chargeur pour le libérer du receveur.

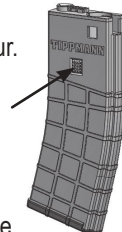
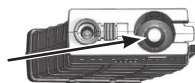


- b. Orientez le chargeur comme indiqué à droite.
- c. Remplissez le chargeur de maximum 18 BB de 6mm comme indiqué par la flèche. Vous pouvez acheter un chargeur à alimentation (vendu séparément chez votre revendeur d'airsoft). N'essayez pas de trop remplir votre chargeur.



2. Installation d'une cartouche de CO2 (12 gr)

- a. Appuyez sur le bouton de libération du chargeur pour le libérer du receveur. Tenez bien le chargeur au cas où il y aurait encore un peu de pression dans la cartouche de CO2 actuelle.
- b. Placez une nouvelle cartouche de CO2 de 12 gr dans le chargeur, en l'orientant comme indiqué (flèche).
- c. Appuyez sur le bouton de libération de la cartouche de CO2. Cela permettra à la cartouche de rentrer complètement dans le chargeur. Appuyez sur ce bouton à chaque fois que vous installez une nouvelle cartouche, pour libérer celle qui est vide.
- d. Armez le M4 en tirant à fond sur la poignée de chargement et en relâchant pour lui permettre de reprendre sa position initiale.
- e. Replacez lentement le chargeur dans le receveur jusqu'à entendre un clic. La cartouche de CO2 n'est pas percée. Pour percer la cartouche de CO2, poussez le chargeur entièrement dans le chargeur ou installez-le complètement d'un mouvement rapide.



Pour fixer une source d'air alternative (une bouteille de CO2 ou à haute pression réglée sur 800PSI) au M4, référez-vous aux instructions en page 9.

3. Tirer avec votre M4

- a. Rendez vous dans une zone de tir. Le port de la protection des yeux conçue pour l'airsoft est obligatoire pour l'utilisateur et toute personne à portée de tir. Si vous disposez d'une source d'air différente, enclenchez l'alimentation en air.
- b. Positionnez le Sélecteur en mode Tir. Le M4 tir en mode SEMI et AUTO. En mode **SEMI**, vous devez appuyer sur la détente à chaque fois que vous voulez tirer. En mode **AUTO**, les tirs continuent tant que vous maintenez la détente appuyée.
- c. Pointez votre M4 dans une direction sûre et appuyez sur la détente pour tirer.
- d. Une fois terminé, positionnez le Sélecteur en mode Sécurité (page 3).



4. Décharger votre M4

- a. Le port de la protection des yeux conçue pour l'airsoft est obligatoire pour l'utilisateur et toute personne à portée de tir.
- b. Appuyez sur le bouton de libération du chargeur pour le libérer du receveur.
- c. Le CO2 restant dans la cartouche de 12 gr sera évacué et quatre ou cinq BB tomberont du receveur. Si vous disposez d'une source d'air différente, arrêtez l'alimentation en air (voir page 15 pour le démontage d'une bouteille).
- d. Désarmez le M4 en le pointant dans une direction sûre et en tirant sur la détente. Même quand le chargeur de la réplique est enlevé une BB ou un objet étranger peuvent se trouver dans le canon. Utilisez toujours la réplique comme si elle était chargée et faites-en de même pour n'importe quelle arme à feu.
- e. Positionnez le Sélecteur en mode Sécurité.

Réglage de la vitesse

Vérifiez la vitesse de votre M4 à l'aide d'un chronographe (instrument mesurant la vitesse), avant jouer à l'airsoft. Vérifiez que la vitesse de la réplique est sous les 400 pieds par seconde (122 m/seconde), ou moins si le terrain de jeux le nécessite.

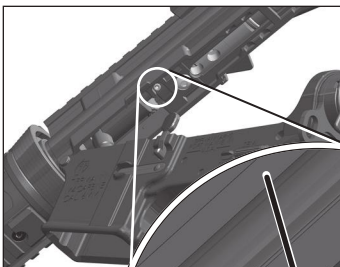
1. Enlevez l'alimentation en air pour enlever le chargeur du receveur, appuyez sur le bouton de libération du chargeur (voir page 6) ou enlevez et aérez la ligne à distance. Voir page 15 pour le démontage d'une bouteille haute pression/CO2.



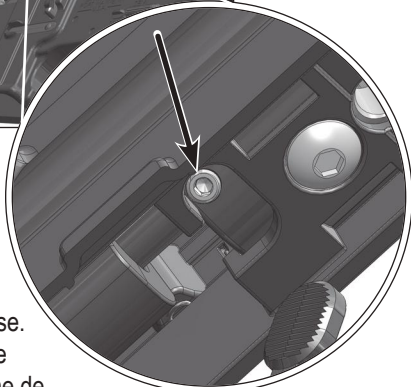
2. Poussez l'attache de démontage qui se trouve sur la gauche du M4 (comme indiqué par la flèche en haut à droite) jusqu'à ce que la tête dépasse suffisamment du côté droit pour la prendre. Tirez dessus jusqu'à ce qu'elle s'arrête.

Elle ne peut pas être enlevée complètement.

3. Faites pivoter le bout du canon en arrière comme indiqué. Cherchez la vis de vitesse (entourée) au fond du receveur supérieur.



4. Utilisez la clé hexagonale 5/64" fournie dans la vis de vitesse. Tournez par 1/4 de tour ou moins. Réduisez la vitesse en tournant la vis de réglage dans le sens des aiguilles d'une montre. Pour augmenter la vitesse, tournez la vis dans le sens contraire des aiguilles d'une montre. N'enlevez jamais la vis de réglage de la vitesse.



5. Après avoir réglé la vis de vitesse, remettez le receveur supérieur en place, remplacez l'attache de démontage et remplacez le chargeur. Tirez avec le M4 en utilisant le chronographe pour vérifier la vitesse des BB.

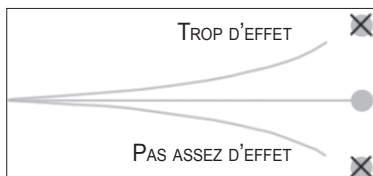
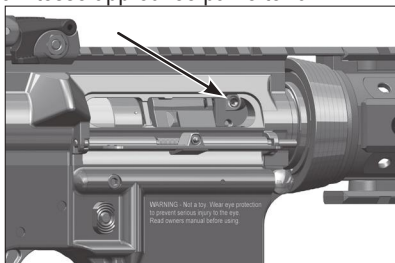
6. Répétez autant que nécessaire pour atteindre la vitesse approuvée par le terrain.

Réglage du Hop Up

Le M4 est conçu avec un système de hop up. Le but de ce système est de modifier l'effet des BB quand elles sortent du canon, ce qui vous permet de régler votre tir pour différentes distances. Si votre carabine M4 tire avec trop d'effet, vous avez trop de hop up. Ouvrez le couvercle d'éjection du côté droit du M4.

Pour réduire le hop up, tournez la vis de réglage du hop up (flèche) dans le sens contraire des aiguilles d'une montre (maximum 6 tours des réglages d'usine).

Si votre carabine M4 tire avec trop peu d'effet, vous n'avez pas assez de hop up. Pour augmenter le hop up, tournez la vis de réglage du hop up (flèche) dans le sens des aiguilles d'une montre (maximum 6 tours des réglages d'usine).

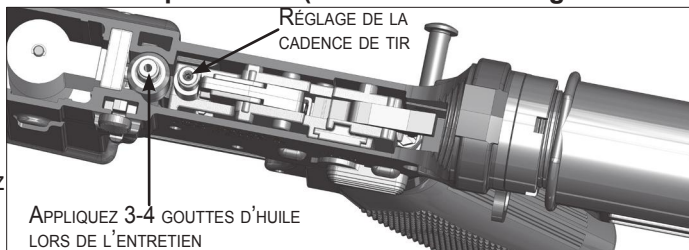


Réglage de la vitesse de tir

La carabine M4 utilise l'air pour contrôler le cycle de réinitialisation de la détente Full auto et du dégagement de la culasse. Lorsque le coup est tiré, une petite quantité d'air entre dans le cylindre pour réinitialiser la détente. Le flux d'air sortant du cylindre est contrôlé par le réglage de la valve de la cadence de tir qui relâche la culasse en fonction du réglage. Les réglages de la cadence de tir ont les variations suivantes:

Vis de Réglage de la vitesse trop dévissée (dans le sens des aiguilles d'une montre)

L'air ne sortira pas du cylindre et la détente ne relâchera pas le sear. La détente sera lâche, vous ne pourrez pas tirer et la sécurité ne pourra pas être



changée du mode full auto. Pour des détails sur comment relâcher la détente, referez-vous à la page 23 Dépannage- La culasse arrière n'est pas libérée quand vous appuyez sur la détente. Une fois le receveur ouvert, vissez la vis de réglage de la vitesse jusqu'à ce que l'air soit libéré. Note: Pour commencer le réglage du mode Full auto, vissez la vis de réglage de la vitesse jusqu'à ce que l'air soit libéré.

Vis de Réglage de la vitesse trop vissée (dans le sens inverse des aiguilles d'une montre)

La détente sera réinitialisée et continuera le cycle de relâchement de la culasse avant que celle-ci ne soit repositionnée. L'arme tire un tir simple ou de petites rafales en mode Full auto. L'ensemble de la détente en mode Full auto est plus rapide que la réinitialisation de la culasse arrière.

Pour régler la cadence de tir, ouvrez le M4 comme décrit aux étapes 1 à 3 du Réglage de la vitesse à la page précédente. Utilisez une clé hexagonale de 1/16" pour visser la vis en tournant de 1/8 de tour à chaque fois. Le point de départ recommandé pour la vis de réglage est de 1 tour dévissé en partant d'un vissage complet.

En dévissant la vis vous augmenterez la cadence de tir. Si vous vissez trop, le gun tirera des tirs simple ou de petites rafales.

En vissant la vis, vous réduirez la vitesse de tir. Si vous dévissez trop, le gun ne tirera pas ou réinitialisera très lentement.

Verrou de tournoi (équipement optionnel)

Tippmann Sport propose un kit de verrou de tournoi. Il consiste en une attache de démontage qui ne peut pas être enlevée sans l'utilisation d'un outil. Cela empêche l'accès à la vis de la vitesse pendant le jeu. Si vous voulez installer un verrou de tournoi, contactez Tippmann Sport et commandez la référence n° TA50140. Suivez les instructions de montage livrées avec l'attache du verrou de tournoi.

Alimentation en air alternative du M4

Cette carabine M4 offre trois possibilités de tirs avec des BB:

#1 - Le chargeur contient une cartouche standard de 12 grammes de CO2 pour alimenter le M4. La valve de perforation est utilisée pour perforer des cartouches de 12 grammes de CO2.

#2- Une ligne d'alimentation en air à distance (comprise, mais nécessite une ligne d'air ainsi qu'une source d'air) est installée dans le grip. Nécessite le démontage de la valve de perforation (page 9). Connectez la ligne à distance à une bouteille d'air à haute pression ou de CO2 réglée à 800 PSI. Vous pouvez utiliser un chargeur de seconde main pour cette méthode (la plupart fonctionnent très bien avec le M4).

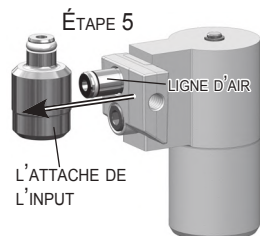
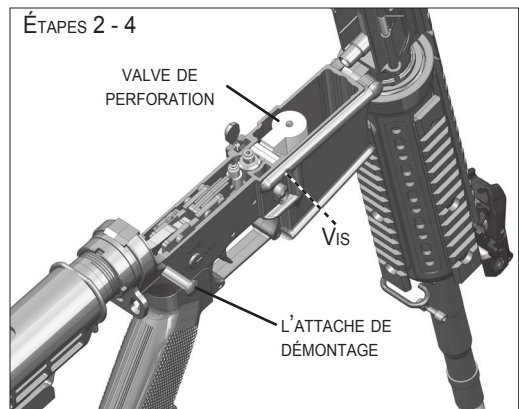
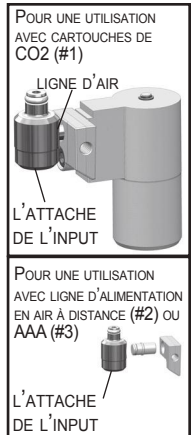
#3 - Achetez un kit Adaptateur d'Alimentation en Air (AAA) Tippmann et installez-le dans le grip inférieur pour l'utiliser avec une bouteille d'air à haute pression (réglée à 800 PSI ou moins) ou de CO2. Nécessite le démontage de la valve de perforation (page 9). Vous pouvez utiliser un chargeur de seconde main pour cette méthode (la plupart fonctionnent très bien avec le M4).

Relisez les conseils de Sécurité de la bouteille d'alimentation en air/CO2 (voir page 14).

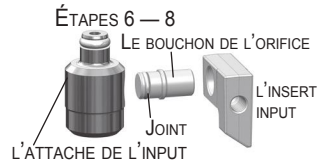
Passer d'une Cartouche de 12 gr de CO2 à une Ligne à Distance ou AAA

Si vous utilisez une ligne d'air à distance, un système d'alimentation AAA ou un chargeur de seconde main, vous devrez modifier l'ensemble de la valve de perforation:

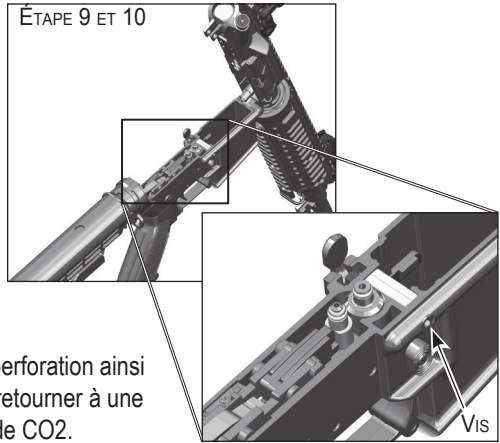
1. Enlevez l'alimentation en air. Appuyez sur le bouton de libération du chargeur pour libérer le chargeur du receveur (voir Etape 4 en page 6).
2. Poussez l'attache de démontage qui se trouve sur la gauche du M4 jusqu'à ce que la tête dépasse suffisamment du coté droit pour la prendre. Tirez dessus jusqu'à ce qu'elle s'arrête. Elle ne peut pas être enlevée complètement.
3. Faites pivoter le bout du canon vers le bas comme indiqué. Enlevez les vis et mettez-les de coté.
4. Enlevez la valve de perforation du receveur inférieur.
5. Enlevez la fiche d'input de la ligne d'air.



6. Identifiez l'attache et la fiche d'input dans le sac à accessoires.
7. Insérez la prise dans l'insert input.
8. Insérez l'autre extrémité de la fiche dans l'attache.



9. Remontez cet ensemble dans le M4 en vous assurant que l'attache de l'input soit bien positionnée dans la ligne d'air.
10. Remontez la vis de l'étape 3 dans le receveur inférieur.



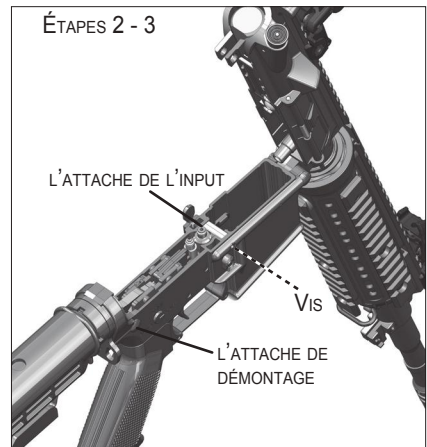
NOTE: Gardez l'ensemble de la valve de perforation ainsi que la ligne d'air au cas où vous voudriez retourner à une alimentation en air par cartouche de 12gr de CO2.

Voir page 11 pour plus d'instructions concernant la ligne à distance.

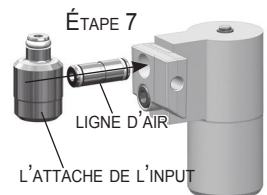
Passer d'une Ligne à Distance ou AAA à une Cartouche de 12gr de CO2

Si vous décidez de retourner à l'alimentation en air par cartouche de 12gr de CO2, vous devrez remonter la valve de perforation:

1. Enlevez l'alimentation en air Appuyez sur le bouton de libération du chargeur pour libérer le chargeur du receveur (voir Etape 4 en page 6).
2. Poussez l'attache de démontage qui se trouve sur la gauche du M4 jusqu'à ce que la tête dépasse suffisamment du côté droit pour la prendre. Tirez dessus jusqu'à ce qu'elle s'arrête. Elle ne peut pas être enlevée complètement.
3. Faites pivoter le bout du canon vers le bas comme indiqué. Enlevez les vis et mettez-les de côté.
4. Prenez la valve de perforation.



5. Sortez l'attache Input, la prise et le verrou du receveur inférieur.
6. Enlevez la fiche de la prise.
7. Insérez la ligne d'air dans la valve de perforation si applicable. Placez la fiche input dans la ligne d'air.
8. Remontez cet ensemble dans le M4 en vous assurant que l'attache de l'input soit bien positionnée dans la ligne d'air. Remontez la vis de l'étape 3 dans le receveur inférieur.



Installer le connecteur de ligne à distance fourni

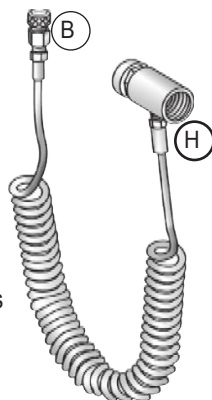
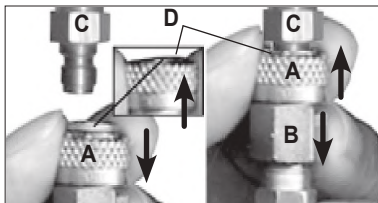
Ne procédez à ces étapes qu'après être passé d'une cartouche de 12gr à une ligne à distance comme décrit en page 9.

1. Enlevez la fiche (voir flèche) de la connexion de ligne d'air inférieure dans le fond du M4 en utilisant une clé hexagonale 3/16".
 2. Localisez le connecteur de la ligne à distance fourni avec votre M4.
 3. Commencez à visser le connecteur de ligne à distance dans la ligne d'air inférieure avec vos doigts.
 4. Serrez avec une clé de 1/2" jusqu'à ce que ce soit serré.
- Si la fiche ou le connecteur de ligne à distance sont réinstallés dans le grip, utilisez du téflon sur le filetage pour empêcher des fuites d'air.



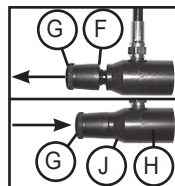
Installer le système de ligne à distance

1. Le port de la protection des yeux conçue pour l'airsoft est obligatoire pour l'utilisateur et toute personne à portée de tir.
2. Déchargez le M4 (page 6) et enlevez l'alimentation en air/CO2 (page 15).
3. Positionnez le Sélecteur en mode Sécurité (voir page 3).
4. Armez le M4 en tirant à fond sur la poignée de chargement et en relâchant pour lui permettre de reprendre sa position initiale. Gardez toujours votre M4 en position armée lorsque l'alimentation en air/CO2 est fixée à celui-ci. Cela empêche toute décharge accidentelle.
5. Sans bouteille attachée à la ligne à distance, tirez et maintenez l'anneau de verrouillage de l'attache de la ligne à distance (A) vers le bas pour y connecter ou enlever l'adaptateur de la ligne à distance (B).
6. Pour connecter l'adaptateur, maintenez vers le bas l'anneau de verrouillage (A), poussez l'adaptateur de ligne à distance (B) dans le connecteur (C) et relâchez le joint de verrouillage en position verrouillée (D). Tirez l'adaptateur de la ligne à distance (B) vers le bas pour vous assurer qu'il est correctement verrouillé.
7. Déconnectez la valve de contrôle du flux d'air/CO2 de l'adaptateur à distance (F) en tournant le contrôle du flux (G) dans le sens inverse des aiguilles d'une montre jusqu'à ce qu'il s'arrête (voir G sur l'illustration à droite).
8. Installez la bouteille d'air/CO2 sur la ligne de l'AAA à distance (H). Pour commencer, marquez si nécessaire la bouteille ainsi que la valve (voir Avertissements et conseils de sécurité de la bouteille d'air/CO2 aux pages 13-15). Lubrifiez le joint de la valve de la bouteille avec un peu de graisse certifiée Tippmann puis, insérez la valve de la bouteille dans l'adaptateur d'alimentation en air (AAA) de l'adaptateur à distance (H). Tournez la bouteille dans le sens des aiguilles d'une montre dans l'AAA jusqu'à ce qu'il s'arrête. Votre M4 sera prêt à tirer quand vous aurez:
 - tourné le contrôle du flux (G) dans le sens des aiguilles d'une montre entièrement dans (J),
 - tourné le sélecteur du mode Safe au mode Semi ou Auto.

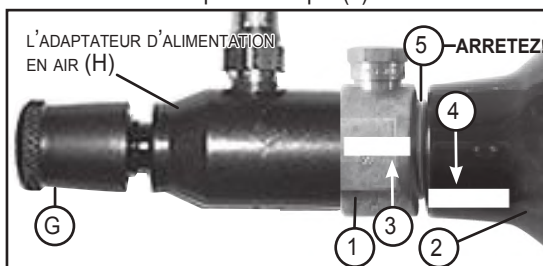


Pour désactiver l'alimentation en air/CO2, enlevez le chargeur (page 6), et tournez le contrôle du flux (G) complètement dans le sens inverse des aiguilles d'une montre jusqu'à ce qu'il s'arrête (F).

La ligne d'air est toujours sous pression. Pointez le M4 dans une direction sûre et déchargez le gaz restant en tirant sur la détente jusqu'à ce qu'il arrête de tirer. Pour rallumer l'alimentation en air, tirez sur la poignée d'armement, ensuite tournez le contrôle du flux complètement dans le sens des aiguilles d'une montre (J).



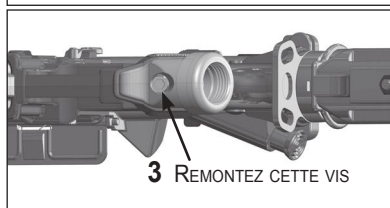
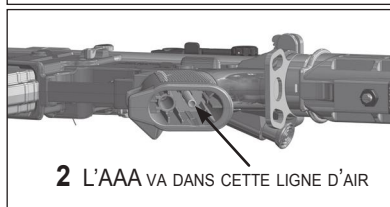
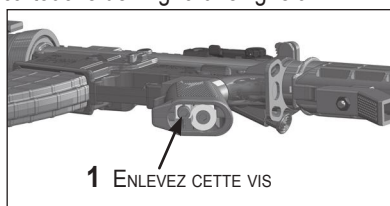
9. Démontage de la bouteille d'air/CO2 de l'AAA - Lisez les Avertissements et conseils de sécurité de la bouteille d'air/CO2 aux pages 13-15 avant de commencer la procédure de démontage de la bouteille à l'étape 9. Déchargez le chargeur du M4 (page 6).
10. Référez vous à l'illustration à droite. A chaque fois que vous tournez la bouteille d'air/CO2 (2), vérifiez la marque (4) sur la bouteille ainsi que la marque (3) sur la valve de la bouteille pendant le démontage pour vous assurer qu'ils tournent ensemble. Si vous voyez que les marques commencent à se séparer (5), ARRETEZ! et amenez votre M4 chez un professionnel spécialisé et certifié C5 pour inspection.
11. Enclenchez la sécurité de la détente en mode Sécurité (voir page 3).



Installation de l'AAA en option

Ne procédez à ces étapes qu'après être passé d'une cartouche de 12gr à une ligne à distance comme décrit en page 9.

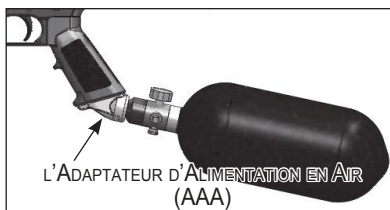
1. Déchargez le M4 (page 6) et enlevez l'alimentation en air/CO2 (page 15).
2. Positionnez le Sélecteur en mode Sécurité (voir page 3).
3. Enlevez la vis à tête de socket au bas du grip (flèche 1 dans l'image) et enlevez la connexion de ligne d'air inférieure.
4. Alignez l'AAA avec la connexion de la ligne d'air (image 2) et insérez-la dans le grip. Fixez avec la vis enlevée à l'étape 2 comme indiqué dans l'image 3.
5. Modifier la valve de perçage comme décrit sur les pages 9-10.



Installation d'une bouteille d'air haute pression/CO2

1. Armez le M4 en tirant à fond sur la poignée de chargement et en relâchant pour lui permettre de reprendre sa position initiale. Gardez toujours votre M4 en position armée lorsque l'alimentation en air/CO2 est fixée à celui-ci. Cela empêche toute décharge accidentelle.
2. Le port de la protection des yeux conçue pour l'airsoft est obligatoire pour l'utilisateur et toute personne à portée de tir.
3. Lubrifiez la rondelle de la valve de la bouteille avec un peu d'huile certifiée Tippmann.
4. Insérez la bouteille d'air/CO2 dans l'Adaptateur d'Alimentation en Air/CO2 (AAA) à l'arrière du grip.

5. Tournez la bouteille dans le sens des aiguilles d'une montre dans l'adaptateur d'alimentation en air jusqu'à ce qu'il s'arrête. Soyez prudent, car une fois le Sélecteur positionné en mode Tir, le M4 est prêt à tirer.



6. Pour enlever la bouteille, déchargez votre M4 (voir page 6). Tournez la bouteille d'approximativement 3/4 de tour dans le sens inverse des aiguilles d'une montre. Cela permettra à la valve de la goupille d'air de se fermer de façon à ce que l'air ne puisse pas entrer dans le M4. Pointez le M4 dans une direction sûre et déchargez le gaz restant en tirant sur la détente jusqu'à ce qu'il arrête de tirer. Si votre M4 continue de tirer, cela signifie que la valve de l'attache de la bouteille n'est pas encore fermée (il se peut qu'elle soit plus longue que d'habitude). Étant donné les variations des pièces de valve d'attache de bouteille, la distance de vissage peut varier légèrement. Vous devrez tourner la bouteille un peu plus et éventuellement répéter l'opération jusqu'à ce que le M4 ne tire plus. Ensuite, enlevez la bouteille. NOTE: Si, pendant la réalisation de cette étape, vous avez tourné la bouteille et il a commencé à fuir avant que vous n'appuyez sur la détente, il faut vérifier le joint de la bouteille avant le remontage (voir section Réparation d'une bouteille d'air/CO2 qui fuit en page 15).

Avertissements concernant la bouteille d'air/CO2

⚠ AVERTISSEMENT

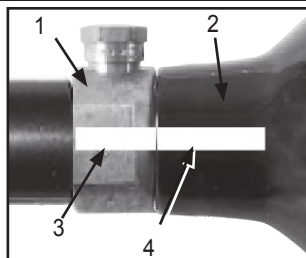
La valve en cuivre ou en nickel de la bouteille (1) doit être attachée en permanence à la bouteille d'air/CO2 (2).

Une bouteille d'air/CO2 peut s'envoler avec assez de puissance pour provoquer des blessures sérieuses ou la mort si la bouteille se dévisse de la valve.

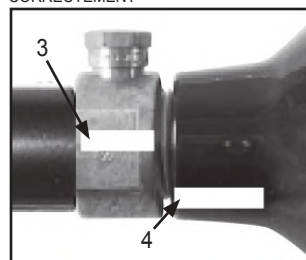
Référez vous à l'illustration à droite. Des incidents causés par des joueurs qui sans le savoir ont dévissé la bouteille (2) de la valve (1) nous ont été rapportés. Cela arrive lorsque le joueur pense que l'ensemble valve-bouteille se détache de l'adaptateur d'alimentation en air/CO2 de la réplique, alors qu'en réalité il est en train de dévisser la bouteille de la valve. Afin d'éviter ce danger, il est recommandé (si votre bouteille n'est pas encore marquée) d'utiliser de la peinture ou du vernis pour placer une marque (3) sur la valve de la bouteille ainsi que sur la bouteille elle même (4) pour qu'elles soient alignées comme indiqué.

A chaque fois que vous tournez la bouteille d'air/CO2, vérifiez la marque sur la bouteille ainsi que la marque sur la valve de la bouteille pendant le démontage pour vous assurer qu'ils tournent ensemble. Si à un moment donné les marques commencent à se séparer comme indiqué sur l'image ci-dessous, cela signifie que la bouteille commence à se dévisser de la valve. **ARRETEZ**, et amenez votre M4 chez un professionnel spécialisé et certifié C5 pour réparation.

NOTE: La valve de la bouteille doit se dévisser de la réplique en environ 3 à 4 tours complets. Si,



PRESET ET BOUTEILLE MONTÉES CORRECTEMENT



PRESET ET BOUTEILLE MONTÉES INCORRECTEMENT

au bout du 4eme tour la bouteille n'est toujours pas dévissée de la réplique, ARRETEZ! Amenez la réplique chez un professionnel spécialisé et certifié C5 pour inspection et ou réparation. Trouvez un professionnel spécialisé et certifié C5 sur www.paintball-pti.com.

Que vous disposiez d'une bouteille neuve ou d'une bouteille rechargeable, vous vous exposez à des risques si:

- La valve à été remplacée ou modifiée après l'achat.
- Un dispositif anti-siphon a été installé.
- La valve a été enlevée de la bouteille pour une quelconque raison.
- Une modification a été apportée à la bouteille rechargeable d'air/CO2.

Si l'une de ces conditions a eu lieu, amenez la bouteille chez un professionnel spécialisé et certifié C5 pour inspection ou contactez le fabricant de bouteilles.

Conseils de sécurité concernant la bouteille d'air/CO2

CONSEILS DE SECURITE pour vous assurer que votre bouteille d'air/CO2 est sure pour jouer:

- Une utilisation, un remplissage, un rangement ou l'élimination incorrecte d'une bouteille d'air/CO2 peut amener à des dégâts matériels, des blessures sérieuses ou la mort.
- Assurez-vous que toute réparation ou modification d'une bouteille soit réalisée par un professionnel spécialisé et certifié C5.
- L'utilisation de systèmes anti-siphon n'est pas recommandée. Cependant, si vous disposez de ce genre de système sur votre bouteille d'air/CO2 ou que vous désirez en installer un, il est indispensable de faire vérifier votre bouteille ou l'installation réalisée par un professionnel qualifié.
- Les bouteilles d'air/CO2 ne doivent être rechargées que par des professionnels.
- Les valves des bouteilles doivent être installées par des professionnels.
- Ne remplissez pas trop une bouteille! Ne dépassez jamais la capacité d'une bouteille d'air/CO2.
- N'exposez pas une bouteille d'air/CO2 sous pression à des températures dépassant les 55°C (130° Fahrenheit).
- N'utilisez pas de substances caustiques ou décapantes sur la bouteille ou la valve et ne l'exposez pas à des matériaux corrosifs.
- Ne modifiez pas l'air ou le CO2. N'essayez jamais de démonter la valve de la bouteille d'air/CO2.
- Toute bouteille d'air/CO2 ayant été exposée au feu ou à des températures de 121°C ou plus, doit être détruite par un professionnel.
- Utilisez le gaz approprié pour votre bouteille. N'utilisez que du CO2 dans une bouteille de CO2 et n'utilisez que de l'air comprimé dans une bouteille d'air comprimé.
- Gardez toute bouteille hors de portée des enfants.
- Les bouteilles d'air/CO2 doivent être inspectées et retestées hydrostatiquement au moins une fois tous les 5 ans par une agence sous licence ADR.
- Protégez les parties de peau exposées des échappements de gaz lorsque vous installez ou retirez la bouteille d'air/CO2 ou s'il y a une fuite au niveau du M4 ou de l'alimentation en air/CO2. L'air comprimé et le CO2 sont des gaz très froids et peuvent provoquer des gelures dans certaines conditions.

NOTE: Trouvez un professionnel spécialisé et certifié C5 sur www.paintball-pti.com.

Démontage de la bouteille d'air/CO2

Ces instructions s'appliquent à l'Adaptateur d'Alimentation en Air (AAA) ou aux AAA des lignes à distance.

1. Lisez les Avertissements concernant la bouteille d'air/CO2 (voir page 13) ainsi que les Conseils de sécurité concernant la bouteille d'air/CO2 (voir page 14) avant de commencer à enlever la bouteille.
2. Le port de la protection des yeux conçue pour l'airsoft est obligatoire pour l'utilisateur et toute personne à portée de tir.
3. Enlevez le chargeur du M4.
4. Pour l'AAA de l'adaptateur à distance, tournez le bouton de contrôle du flux dans le sens inverse des aiguilles d'une montre jusqu'à ce qu'il s'arrête.
5. Positionnez le Sélecteur en mode Tir. Pointez la réplique dans une direction sûre et déchargez le gaz restant dans la réplique en tirant sur la détente jusqu'à ce qu'elle arrête de tirer (cela peut nécessiter 4 ou 5 tirs). Si votre M4 continue de tirer, cela signifie que la valve de l'attache de la bouteille n'est pas encore fermée (il se peut qu'elle soit plus longue que d'habitude). Étant donné des différences dans les valves de goupilles de la bouteille, les tours de fermeture varient légèrement en fonction de la bouteille. Tournez la bouteille encore un peu dans le sens inverse des aiguilles d'une montre et répétez l'opération jusqu'à ce que la réplique ne tire plus. N'enlevez la bouteille d'air/CO2 qu'à ce moment là.
NOTE: Si, pendant la réalisation de cette étape, vous avez tourné la bouteille et elle a commencé à fuir avant que vous n'appuyez sur la détente, il faut vérifier le joint de la bouteille avant le remontage (voir section Réparation d'une bouteille d'air/CO2 qui fuit ci-dessous).
6. Une fois la bouteille d'air/CO2 enlevée, pointez la réplique dans une direction sûre et tirez jusqu'à ce que l'air accumulé soit complètement déchargé.
7. Positionnez le Sélecteur en mode Sécurité (voir page 3).

Réparer les fuites de la bouteille d'air/CO2

La cause la plus fréquente de fuite est due à un mauvais joint de valve de bouteille d'air/CO2. Pour remplacer le joint de soupape, vous devez d'abord retirer le joint défectueux et en installer un neuf. Le joint se trouve à l'extrémité de la valve d'air/CO2. Les meilleurs joints de soupape sont en uréthane. Les joints en uréthane ne sont pas abîmés par la forte pression d'air/CO2. Vous pouvez vous en procurer chez Tippmann ou chez votre fournisseur d'airsoft local.

NOTE: Si malgré l'installation d'un nouveau joint de valve la fuite persiste, n'essayez pas de réparer la bouteille d'air/CO2. Contactez Tippmann Sports, LLC, votre revendeur local d'airsoft, ou un professionnel spécialisé et certifié C5.

Nettoyage et entretien

- Pour diminuer les possibilités de décharge accidentelles, enlevez le chargeur et suivez les instructions de Démontage d'une bouteille d'air/CO2 (en page 15).
- Vous devez porter des lunettes de sécurité.
- Lisez et suivez les conseils de sécurité et les avertissements concernant la bouteille d'air/CO2 aux pages 13 à 15.
- Ne démontez pas une réplique tant qu'elle est sous pression.
- Ne mettez pas sous pression une réplique partiellement assemblée.
- Suivez les avertissements décrits sur la bouteille d'air concernant la manipulation et le rangement.
- Familiarisez-vous avec les instructions figurant sur la bouteille d'air.

- Pour toute question, contactez le fabricant de bouteilles.
- N'utilisez pas de nettoyants à base de pétrole.
- N'utilisez pas de nettoyants en cannettes d'aérosol.

NOTE: Les produits à base de pétrole et les aérosols peuvent endommager les joints de la réplique.

Pour nettoyer votre M4 de l'extérieur, utilisez un linge humide pour enlever les débris. Pour garder votre M4 dans de bonnes conditions d'utilisation, inspectez, nettoyez et remplacez toute pièce défectueuse.

Lubrifiez le joint de la valve de la bouteille d'air/CO2 avec un peu d'huile certifiée Tippmann. Les cartouches de CO2 de 12 gr contiennent une faible quantité d'huile. Si vous utilisez une bouteille HPA (Air à Haute Pression) ou une bouteille de CO2, 3 à 4 gouttes d'huile dans la valve de perçage (voir page 8) serviront à lubrifier les pièces internes. Lorsque le M4 est démonté, appliquez de l'huile sur la rondelle de la culasse arrière. Utilisez de l'huile Tippmann pour lubrifier les joints et les ressorts.

Les meilleurs joints de soupape sont en uréthane. Les joints en uréthane ne sont pas abîmés par la forte pression d'air/CO2. Vous pouvez vous en procurer chez Tippmann ou chez votre fournisseur d'airsoft local.

Si votre Magazine devient sale, vous pouvez utiliser de l'air comprimé pour évacuer les débris. Suivez les étapes suivantes pour le démontage du Magazine.

1. Appuyez sur le bouton situé sur la partie inférieure du Magazine.
2. Faites glisser le Shell le capuchon du Magazine.
3. Appuyez sur le bas du Magazine pour glisser le Magazine interne de la revue coque extérieure.
4. Utilisez de l'air comprimé pour évacuer la poussière ou les débris.
5. Lors du remontage du Magazine, poussez sur le bouton pour installer le Shell le bouchon.



Rangement

Avant le rangement, déchargez le M4 (page 6) et enlevez l'alimentation en air/CO2 (page 15). Positionnez le Sélecteur en mode Sécurité (voir page 3). Avant de ranger votre M4 assurez-vous qu'il est propre et huilé (voir *Nettoyage et entretien*). Rangez votre M4 avec la culasse vers l'avant en position désarmée. Rangez votre M4 dans un endroit sec.

Lorsque vous reprenez votre M4, assurez-vous toujours que la sécurité de la détente est activée (voir page 3).

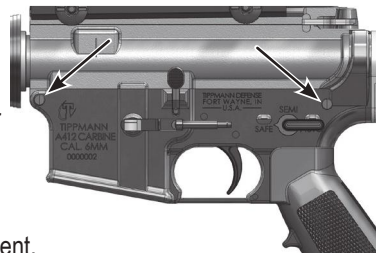
Montage et démontage du M4

Préparez une table de travail avec beaucoup d'espace pour travailler sans que de petites pièces ne se perdent. Suivez toujours ces instructions de sécurité lors du montage ou démontage de votre M4.

- Suivez les instructions de la section Décharger votre M4 en page 6 et Enlever une bouteille d'air/CO2 en page 15.
- Portez toujours une protection pour les yeux (lunettes de sécurité) lorsque vous démontez ou remontez une réplique.
- Ne mettez pas sous pression un M4 partiellement assemblé.
- Mettez votre M4 en position désarmée. Si votre M4 est armé, tirez et maintenez tirée poignée d'armement. Tirez et maintenez appuyée la détente pendant que vous relâchez lentement la poignée d'armement pour désarmer le M4.

Voici la liste des instructions de démontage. Pour le remontage, suivez les instructions dans l'ordre inverse. Reportez-vous à la photo éclatée avec les pièces incluses dans ce manuel. Les références des pièces spécifiques sont entre parenthèses. Pour les numéros de référence et les quantités, voir www.Tippmann.com.

1. Sur le coté gauche du receveur, poussez l'attache de démontage et l'attache pivot (indiqués par les flèches sur la droite) jusqu'à ce que les têtes des attaches soient accessibles par la droite.
2. Sur le coté droit du M4, sortez l'attache de démontage et l'attache pivot jusqu'à ce qu'elles s'arrêtent. Elles ne peuvent pas sortir complètement.
3. Le receveur supérieur et inférieur peuvent à présent être séparés l'un de l'autre.

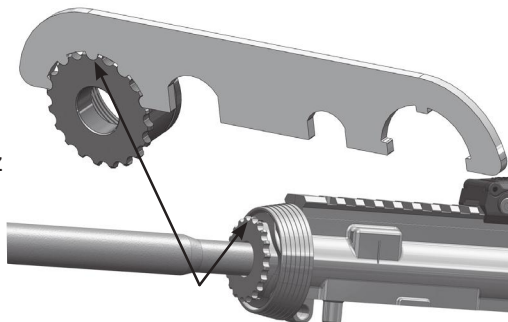


F
R
A
N
Ç
A
I
S

Le receveur supérieur

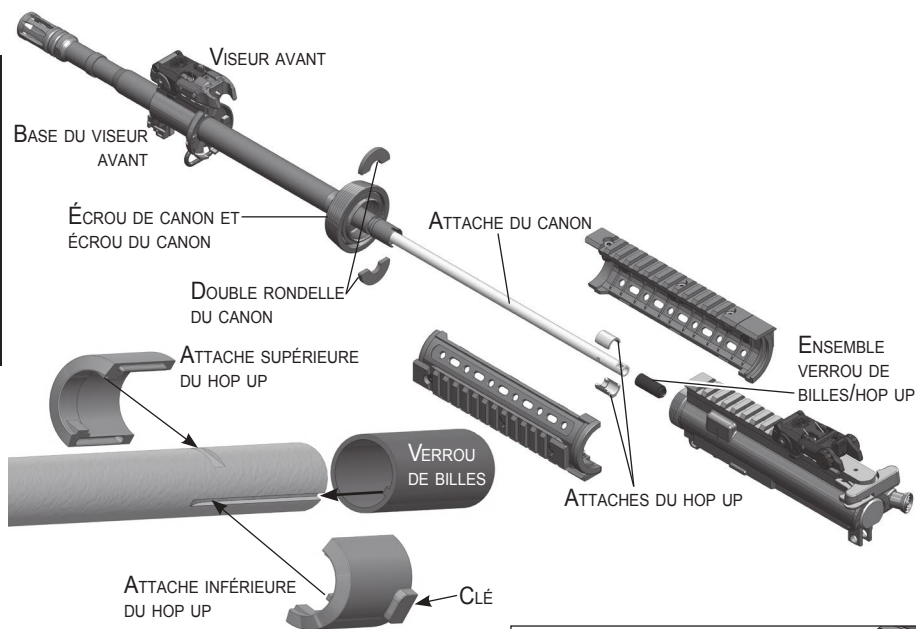
Référez-vous à la page 27.

1. Tirez sur l'écrou de canon (12) avec vos doigts et enlevez le garde-main gauche du canon. Tirez la partie arrière avant, puis la partie avant. Répétez l'opération pour le garde-main droit. Vous ne pouvez ajouter les rails Picatinny au garde-main que lorsque les deux moitiés du garde-main sont démontées du canon. Lors du remontage, remontez d'abord la partie droite, puis la gauche.
2. Dévissez la vis du hop up de 3 tours (voir page 7) pour rendre le démontage du canon plus facile.
3. Tout en tirant sur l'écrou de canon, utilisez la clé incluse pour relâcher la vis du canon (9) pour pouvoir l'enlever du receveur supérieur. Soyez prêt à attraper la double rondelle du canon (8) quand l'écrou sera dévissé. Lorsque vous serrez l'écrou du canon, assurez-vous que la marque (voir flèche ci-dessus) soit en position 12h pour que le garde-main puisse être aligné correctement.
4. L'ensemble du canon (7) peut à présent être sorti du receveur supérieur.



Ensemble du canon

1. Sortez l'insert du canon.
2. Enlevez les attaches des parties supérieures et inférieures du hop up. Lors du remontage, notez que la partie supérieure s'accorde avec le receveur supérieur de façon spécifique.
3. Enlevez l'ensemble verrou des billes/hop up. Lors du remontage, l'utilisation d'une petite quantité de spray silicone est acceptable. Notez que le fond du verrou des billes et celui du hop up s'accordent avec l'attache du canon dans un sens spécifique.
4. Pour le remontage, maintenez l'ensemble du canon avec l'écrou du canon vers le haut. Maintenez la double rondelle sur le canon avec votre main. Ensuite, tirez sur l'écrou du canon vers le haut pour recouvrir la double rondelle.
5. Insérez l'attache du canon avec l'ensemble verrou des billes/hop up et les attaches alignées avec le receveur supérieur.
6. Serrez l'écrou du canon (voir *Receveur supérieur* ci-dessus).
7. Si vous enlevez le viseur avant de la base du canon, lors du remontage, ne vissez pas les deux vis de plus de 11 kg-cm car vous risquez de casser la base.



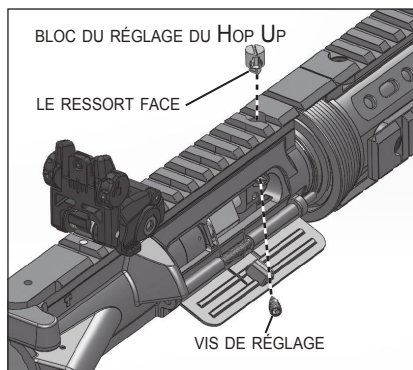
Montage du Hop Up

Enlevez le bloc du réglage du Hop Up :

1. Enlevez la vis de réglage.
2. Retournez le gun pour permettre au bloc de réglage de tomber de la poche du receveur supérieur.

Installez le bloc du réglage du Hop Up :

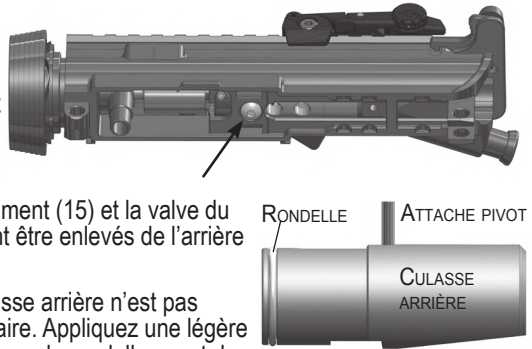
1. Orientez le bloc du réglage du Hop Up avec le ressort face à la poche de la vis de réglage. (Notez que la fente sur le bloc du réglage s'aligne en direction de la vis de réglage.)



2. Insérez le bloc du réglage dans le receveur et poussez légèrement jusqu'à ce qu'il touche le hop up. (Assurez-vous que la fente sur le bloc du réglage soit alignée en direction de la vis.)
3. Insérez la vis de réglage jusqu'à ce que seul 1 ou 2 filetages soient exposés.
4. Le système hop up est à présent prêt à être réglé pour la précision/portée (voir page 7).

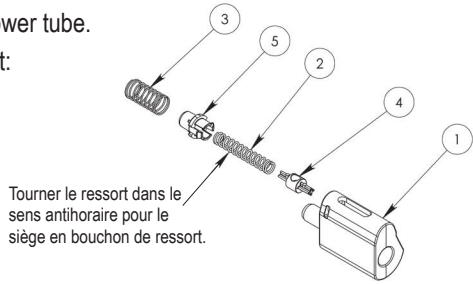
Culasse arrière

1. Enlevez la vis 10-32 (23) du fond du receveur supérieur.
2. Sortez la poignée de chargement de 2,5 cm pour voir la culasse. Glissez la culasse arrière hors de l'extrémité arrière du M4. La culasse avant (17), la tige d'armement (15) et la valve du Power tube (14) peuvent à présent être enlevés de l'arrière du receveur supérieur.
3. Vérifiez que la rondelle de la culasse arrière n'est pas abîmée. Remplacez-la si nécessaire. Appliquez une légère couche d'huile certifiée Tippmann sur la rondelle avant de la remonter sur la culasse arrière.

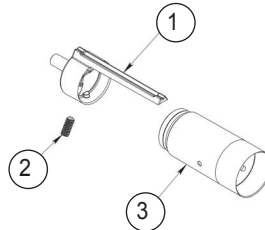


Culasse avant, Power tube et Valve

1. En vous reportant à la page 27, détachez la Tige d'armement (15) de la Culasse arrière (16) et de la culasse avant (17).
2. Glissez la culasse avant hors du Power tube.
3. Les pièces de la Culasse avant sont:
 - (1) Culasse avant
 - (2) Ressort
 - (3) Ressort
 - (4) Maintien du ressort
 - (5) Bouchon du ressort de la culasse avant
4. Lors du remontage assurez-vous que le trou dans la pièce n°4 est bien vers le haut. La tige d'armement doit être placée dans le trou.
5. Les pièces du Power tube sont:



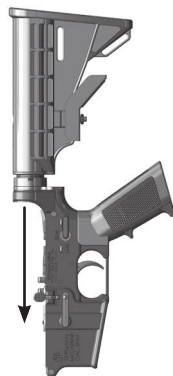
- (1) Power Tube
- (2) Vis de réglage, 8-32x3/8"
- (3) Ensemble de la valve



Receveur inférieur

Référez-vous à la page 26.

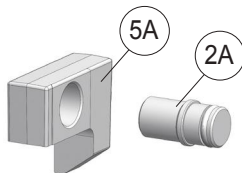
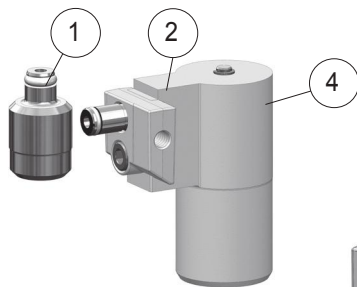
1. Enlevez le sélecteur en le sortant sur le côté du receveur.
2. Assurez-vous que l'attache de démontage est sortie au maximum. Elle ne peut pas être enlevée complètement.
3. Levez l'ensemble de la détente (3) du récepteur inférieur.
4. Enlevez la vis (n°8 en page 26).
5. Levez la valve de perçage (5) du receveur inférieur.
6. Lubrifiez le ressort d'engrenage (il se trouve à l'intérieur du tube de stockage) et orientez le receveur inférieur comme indiqué. Le ressort d'engrenage est maintenu en place grâce à la friction. Un mouvement rapide et répété vers le bas fera tomber le ressort assez pour l'attraper et le sortir complètement. Lubrifiez avec de l'huile certifiée Tippmann.



Ensemble de la valve de perçage

La crevaillon distributeur (comme illustré ci-dessous) est utilisée lorsqu'un 12 gram cartouche de CO2 est installé dans le magazine fourni avec votre M4 carabine. Si vous utilisez une télécommande Air ligne ASA, système de distribution d'air, ou d'un service après-vente magazine, que vous avez besoin de retirer la crevaillon le distributeur, comme décrit à la page 9 et utilisez les pièces 2A et 5A du sachet d'accessoires (inclus avec le M4 carabine):

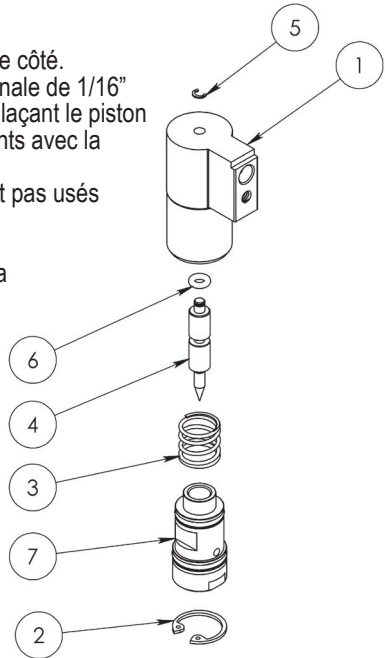
ITEM	Ensemble de la Valve de Perçage DESCRIPTION
1	Valve de Perçage
2	Ligne d'air
2A	l'Attache de la Prise (utilisez une ligne d'air à distance, un système d'alimentation AAA)
3	Vis, SHCS, #6-32 x 1/4"
4	l'Attache d'Alimentation
5	Languette de Verrou
5A	la languette de verrou pour attache d'alimentation (utilisez une ligne d'air à distance, un système d'alimentation AAA)



Montage de la valve de perçage

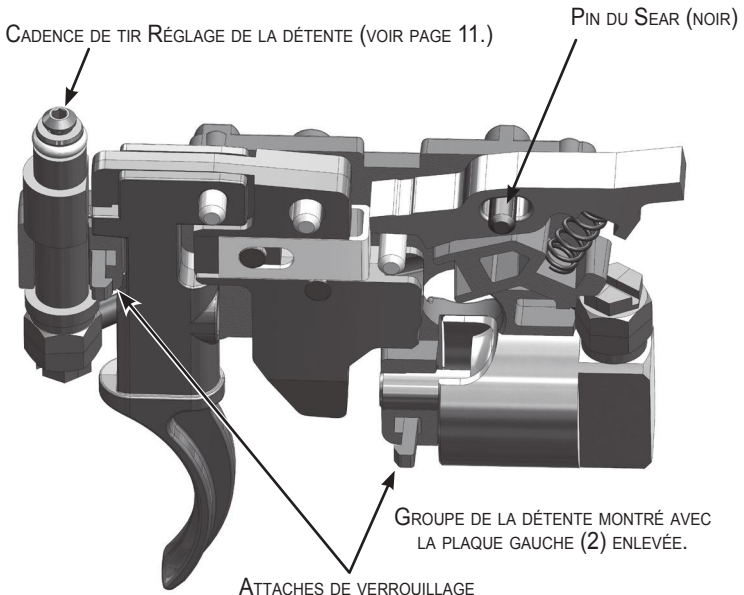
1. Enlevez la bague de fixation (2) et mettez-la de côté.
2. Enlevez le clip C (5). Poussez une clé hexagonale de 1/16" dans le trou au-dessus de la pièce n°1 en déplaçant le piston de perçage (7) de la valve (1). Lubrifiez les joints avec la graisse certifiée Tippmann fournie.
3. Vérifiez que le ressort (3) et le joint (6) ne sont pas usés et remplacez-les si nécessaire.
4. Remontez toutes les pièces dans la valve de perçage et fixez en plaçant le clip C (5), puis la bague de fixation interne (2).

ITEM	PUNCTURE VALVE BODY DESCRIPTION
1	Corps du valve de perçage
2	9/16" la bague de fixation
3	Ressort
4	Crevaison broche
5	le Clip C
6	Joint
7	Crevaison Piston complet

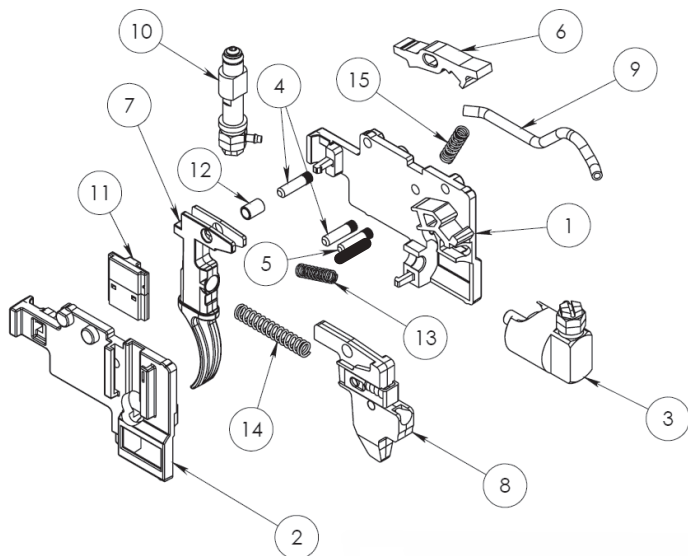


Ensemble de la détente (la liste des pièces se trouve à la page suivante)

1. Enlevez le sélecteur en le sortant sur le côté du receveur.
2. Soulevez l'ensemble de la détente du récepteur inférieur.
3. Déposez le groupe de la détente sur le côté droit. Détachez délicatement les deux attaches (Voir l'image ci-dessous) pour dégager les points de fixation. Sortez la plaque gauche de la détente (2).



4. Vérifiez que les ressorts ne soient pas usés et remplacez-les si nécessaire.
5. Lors du remontage du groupe de la détente, assurez-vous que les ressorts et les attaches sont bien à leur place. Il est très important que l'attache (noire 5) soit bien positionnée. Reportez-vous au graphique fourni.
6. Remontez le groupe de la détente dans le M4.
7. Le groupe de la détente doit être en place pour pouvoir régler le contrôle du flux (11). Utilisez une clé hexagonale dans l'emplacement indiqué pour modifier la cadence de tir (voir page 8).

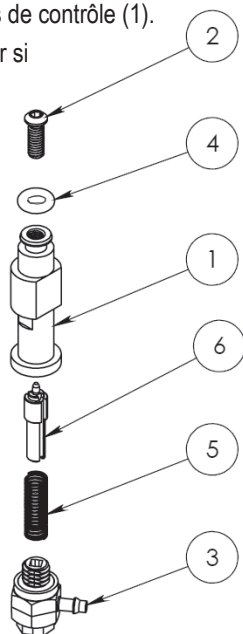


ITEM	ENSEMBLE DE LA DÉTENTE DESCRIPTION
1	la plaque droite de la détente
2	la plaque gauche de la détente
3	Réponse ensemble cylindre
4	Pin, 1/8 x 1/2, nouveaux
5	Pin du sear, noir
6	Sear
7	Détente, frontal
8	Détente, arrière
9	Ligne d'air, Réponse 5/64" ID x 1/8" OD
10	Contrôle de flux
11	Sécurité
12	Déclencher la bague
13	Ressort
14	Ressort, 1.174" FL x 0.188" OD
15	Ressort, 0.600" FL x 0.172" OD

Contrôle de Flux

1. Déposer la vis de réglage (2) par désenfile de débit du corps de contrôle (1).
2. Inspecter le joint torique (4) pour les dommages et remplacer si nécessaire.
3. Déposer le raccord banjo (3) pour accéder à Contrôle de flux cheville usinée (6) et le Ressort (5).

ITEM	CONTRÔLE DE FLUX DESCRIPTION
1	Contrôle de flux corps
2	#4-48 x 5/16" Vis de réglage avec évent
3	Raccord banjo assemblée
4	Joint, 2-006
5	Ressort
6	Contrôle de flux cheville usinée



Dépannage

Problème: Vous n'arrivez pas à appuyer sur la détente.

Solution: Videz le chargeur et enlevez-le. Enlevez l'alimentation en air. Positionnez le Sélecteur en mode Semi ou auto. Appuyez sur la détente pour voir si elle bouge.

Problème: La culasse arrière n'est pas libérée quand vous appuyez sur la détente.

Solution 2: Relâchez manuellement la détente par la culasse arrière en procédant comme suit: Enlevez l'alimentation en air (libérez le chargeur du receveur, éteignez la ligne à distance, ou enlevez la bouteille d'alimentation en air de l'AAA voir pages 13 et 15). Videz le chargeur et enlevez-le. Trouvez le trou en haut de la poignée de chargement. Tirez sur la poignée de chargement jusqu'à ce que vous puissiez insérer la clé hexagonale 3/32" dans le trou. Poussez avec la clé hexagonale pour libérer la détente de la culasse arrière, comme indiqué dans

l'image à droite (double flèche). Vous entendrez un clic quand elle sera libérée.

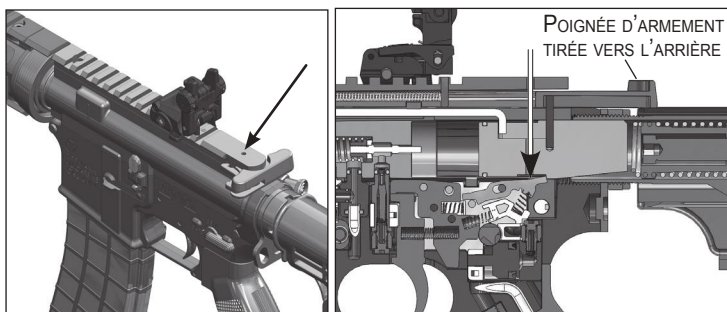
Problème: En appuyant sur la détente aucune BB ne sort.

Solution: Une

BB cassée se trouve peut-être dans le canon. Les BB d'airsoft qui ne sont pas étiquetées Precision BB peuvent se casser à l'intérieur du canon lors du tir. Suivez les instructions en pages 15-16 pour enlever le canon pour le nettoyer.

Problème: Vous ne parvenez pas à fermer le M4 quand vous utilisez un chargeur de seconde main.

Solution: Modifiez l'ensemble de valve de perçage comme décrit en page 9. Si la languette de verrou n'est pas remplacée avec la languette de verrou de l'attache de la prise, il y aura des interférences lors de la fermeture du M4.



Spécificités de la carabine M4

Modèle.....	Carabine M4
Calibre	6mm
Action.....	Blowback à fort recul réaliste
Puissance/Alimentation en air	Chargeur standard avec 12 gr de CO2 en poudre; Azote ou HPA via Ligne à distance/Options AAA
Modes de tir.....	Semi-Auto, Full-Auto, et Safe
Hop Up	Réglable
Capacité du chargeur	80 BB pour airsoft
Cadence d'alimentation	8à -20 tirs par secondes
Longueur du canon standard.....	14,3" / 363 mm
Longueur totale (avec canon standard et crosse repliée)	29,3" / 743 mm
Longueur totale (avec canon standard et crosse dépliée).....	33,0" / 838 mm
Poids.....	5,5 lbs. / 2.5 Kg
Vitesse: Mesurez toujours la vitesse de votre réplique avant de jouer à l'airsoft et ne tirez jamais à des vitesses supérieures à celles établies sur le terrain (voir instructions en page 7).	

Carabine M4

FABRIQUÉ PAR

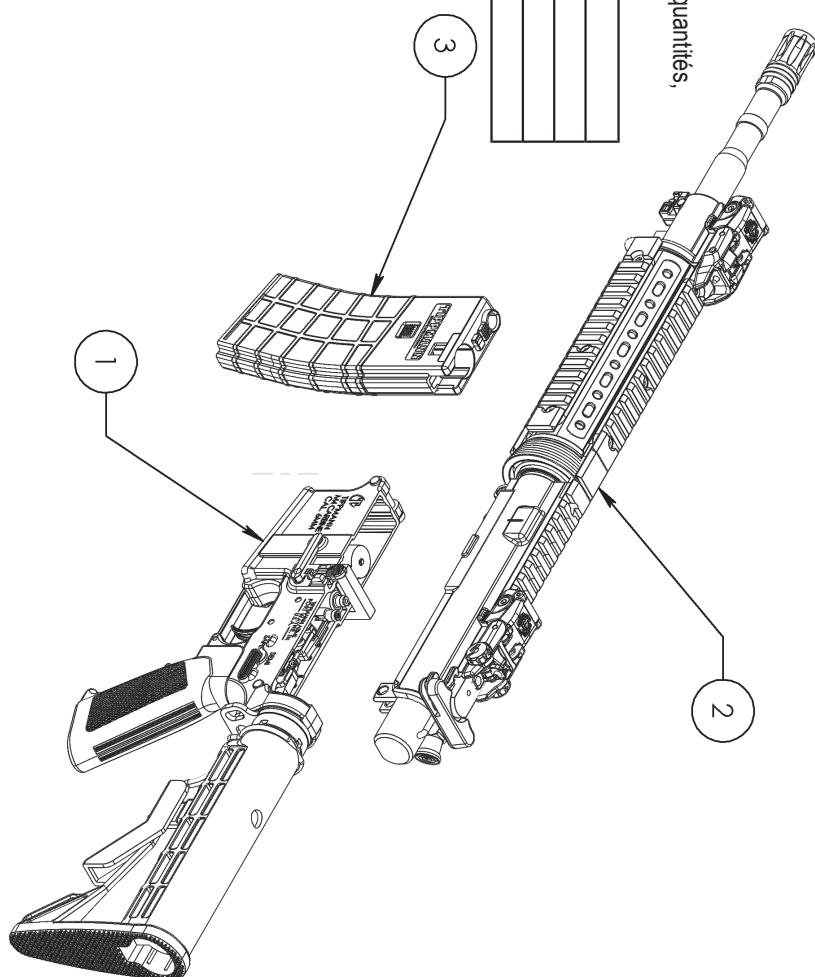
TIPPMANN®

1-800-533-4831

www.Tippmann.com

Pour les numéros de référence et les quantités,
reportez-vous à www.Tippmann.com.

ITEM	DESCRIPTION
1	Receveur inférieur
2	Le receveur supérieur
3	Chargeur 12 G Complet



FRANÇAIS

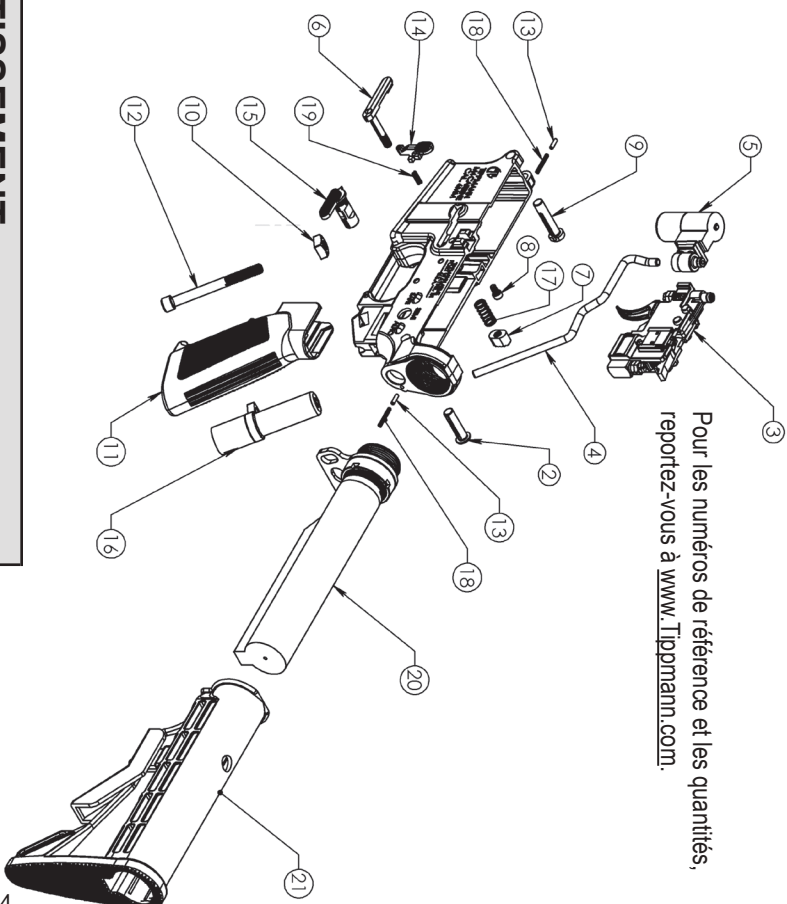
VER. 02/10/14

Receveur inférieur

ITEM	DESCRIPTION
1	Receveur inférieur
2	Prendre le Bas Pin
3	Détente Complet
4	Ligne d'air
5	Puncture Valve with Locking Tab and Fitting
6	verrouiller du chargeur.
7	bouton de déverrouillage du chargeur.
8	Vis, SHCS #6-32 X 1/4"
9	Pin, Axe de pivot
10	Écrou, carré 1/4-20
11	Grip
12	Vis, SHCS - 1/4-20 UNC X 2,5"
13	Pin
14	Bolt Catch
15	Sécurité
16	Gaz inférieur du connecteur en ligne
17	Ressort, Comp., 1.156" FL., X 0.297" O.D.
18	Ressort, Comp., 0.750" FL X 0.0,84"OD
19	Ressort, 0.120" O.D., X 0.438" FL.
20	Crosse rétractable Tube Complet
21	Crosse rétractable Complet

AVERTISSEMENT

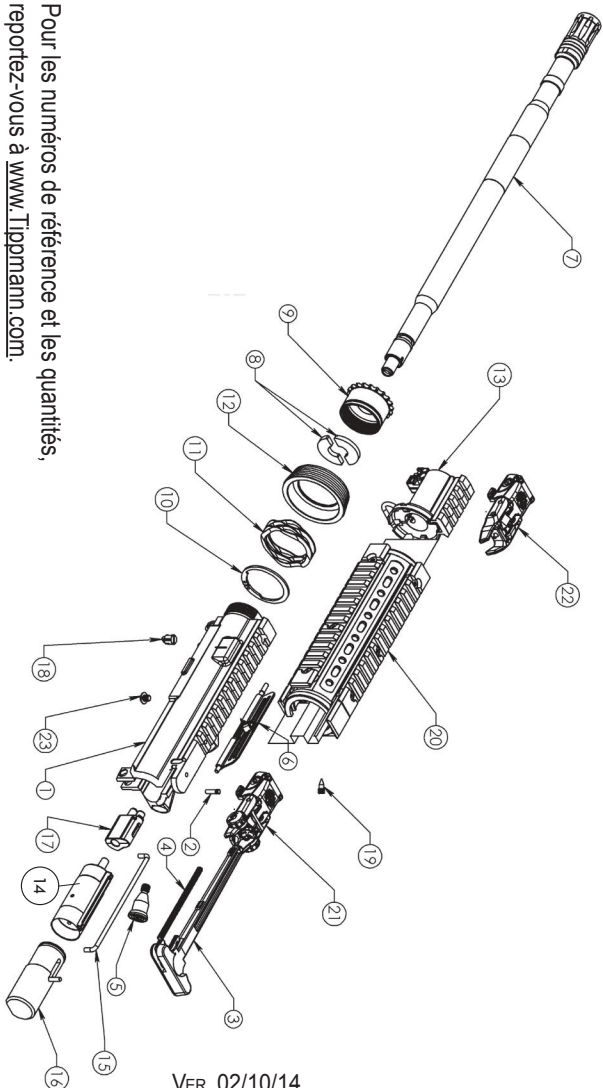
Ne pas désassembler ce carabine M4 pendant que c'est pressurisé avec l'air. Ne pas pressuriser un lanceur a moitié assemblé.



Pour les numéros de référence et les quantités, reportez-vous à www.Tippmann.com.

Le receveur supérieur

ITEM	DESCRIPTION
1	receveur supérieur
2	Pin, noir
3	Poignée d'armement
4	Ressort, 3.43" FL x 0.170" OD
5	Avant Boulon Assist
6	couvrecil d'élection
7	canon Assembly
8	Double rondelle du canon
9	Ecrou de canon
10	Anneau de retenue
11	Ressort ondulé
12	Delta Ring
13	Base du viseur avant
14	Power tube et Valve
15	Tige d'armement
16	Marteau
17	Culasse avant
18	Bloc de réglage
19	Set de vis, #10-32 UNF
20	garde main
21	viseur arrière
22	viseur avant
23	Vis, #10-32 x 3/16" BHSCS



Pour les numéros de référence et les quantités, reportez-vous à www.Tippmann.com.

AVERTISSEMENT

Ne pas désassembler ce carabine M4 pendant que c'est pressurisé avec l'air. Ne pas pressuriser un lanceur à moitié assemblé.

VER. 02/10/14

Informations concernant la garantie et la réparation

TIPPMANN SPORTS, LLC (“Tippmann”) fournit des produits d’airsoft de grande qualité et un service exceptionnel. Dans le cas peu probable d’un problème avec cette réplique Tippmann et/ou un accessoire Tippmann (“accessoires”), le service clientèle de Tippmann est à votre disposition pour vous aider. Pour le service clientèle ou toute autre information, veuillez contacter:

Tippmann Sports, LLC
2955 Adams Center Road
Fort Wayne, IN 46803
www.Tippmann.com
1-800-533-4831

Tippmann Sports Europe, SPRL
Rue du Mont D’Orcq 16
Z.I. Tournai Ouest, 7503 Froyennes, Belgium
www.Tippmann.com
Telephone +32 (0) 69 549 578

Enregistrement de la garantie

Pour activer la garantie limitée de la réplique, vous devez l’enregistrer dans les 30 jours après la date d’achat originale en procédant comme suit:

1. Enregistrez-vous en ligne sur www.Tippmann.com ou
2. Complétez le document d’enregistrement de garantie ci-joint et renvoyez-le à l’adresse Tippmann ci-dessus.

Vous ne devez pas activer ou enregistrer la garantie limitée des accessoires Tippmann. En enregistrant votre réplique, vous activerez la garantie des accessoires.

Garantie limitée

Tippmann garantit à l’acheteur original qu’il procédera à toute réparation ou remplacement nécessaire pour corriger des défauts de pièces ou de fabrication sur la réplique sans aucun frais, et ce pendant une période de 1 ans à partir de la date originale d’achat. De plus, Tippmann garantit à l’acheteur original qu’il procédera à toute réparation ou remplacement nécessaire pour corriger des défauts de pièces ou de fabrication sur les accessoires sans aucun frais, et ce pendant une période de 90 jours à partir de la date originale d’achat. Tout ce que Tippmann demande est que votre réplique ainsi que ses accessoires (collectivement le “produit”) soient soigneusement entretenus et réparés, et que vos réparations sous garantie soient effectuées par Tippmann ou un service technique certifié Tippmann.

Cette garantie limitée n’est pas transférable, et elle ne couvre pas les dégâts ou défauts du produit causés par (a) un entretien impropre; (b) une altération ou une modification; (c) une réparation non autorisée; (d) un accident; (e) un abus, ou un usage impropre; (f) un oubli ou une négligence; et/ou (g) une usure normale.

Tippmann n’autorise personne ni aucun revendeur à assumer ou accorder une autre obligation de garantie lors de la vente de ce produit.

CETTE GARANTIE EXPRESSE EST LA SEULE GARANTIE ACCORDEE A L’ACHAT DE CE PRODUIT; TOUTES AUTRES GARANTIES EXPRESSES SERONT REJETEES; LES GARANTIES TACITES DE QUALITE MARCHANDE ET DE COMPATIBILITE AYANT UN BUT PARTICULIER, SONT LIMITEES A LA PERIODE DE GARANTIE LIMITEE APPLICABLE

CONTENUE DANS LA PRESENTE, ET AUCUNE GARANTIE, QU'ELLE SOIT EXPRESSE OU TACITE, NE SERA APPLIQUEE APRES EXPIRATION DE CETTE PERIODE.

Certains États ou Pays n'autorisent pas les limites de durée de garantie tacite. Les limites exprimées ci-dessus pourraient donc ne pas être d'application pour vous.

La seule et unique responsabilité de Tippmann et/ou de ses revendeurs autorisés sous cette garantie limitée, concerne le remplacement ou la réparation de toutes pièces ou assemblage sur lesquels un défaut de pièce ou de fabrication a été décelé.

TIPPMANN NE SERA PAS TENU RESPONSABLE, ET VOUS RENONCEZ EXPRESSEMENT A LE TENIR POUR RESPONSABLE EN CAS DE DEGATS DIRECTS, INDIRECTS, CONSEQUENTS OU SECONDAIRES ("DEGATS") PROVOQUES PAR LA VENTE, L'UTILISATION OU VOTRE INCAPACITE A UTILISER CE PRODUIT. AUCUN PAIEMENT NI AUTRE FORME DE COMPENSATION NE SERA FAIT POUR DES DEGATS COMPRENANT DES BLESSURES A DES PERSONNES OU DES BIENS, OU LA PERTE DE REVENUS QUI POURRAIENT ETRE PAYES, ENCOURRUS OU SOUTENUS PAR LA DEFECTUOSITE DE TOUTE PIECE OU ASSEMBLAGE DE CE PRODUIT.

Certains États ou Pays n'autorisent pas les exclusions ou limites de dégâts secondaires ou conséquents. Les limites exprimées ci-dessus pourraient donc ne pas être d'application pour vous. Cette garantie vous donne certains droits spécifiques légaux, auxquels pourraient s'ajouter d'autres droits pouvant varier d'après les États et les Nations.

Réparations sous garantie et hors garantie

Lors de l'envoi du produit à Tippmann pour une réparation sous garantie ou hors garantie:

1. Si des pièces d'après-vente sont installées sur votre réplique, veuillez l'essayer avec les pièces d'origine avant de le renvoyer pour entretien ou réparation.
2. Déchargez (page 6) et enlevez toujours l'alimentation d'air/CO2 de votre réplique (page 15). N'envoyez pas votre bouteille d'alimentation en air/CO2 si elle n'est pas complètement vide.
3. Envoyez le produit à l'adresse Tippmann mentionnée ci-dessus.
4. Vous devez payer l'envoi et les frais de livraison.
5. Mentionnez la date d'achat du produit.
6. Décrivez brièvement la réparation requise.
7. Incluez votre nom, adresse de retour et un n° de téléphone auquel il est possible de vous joindre pendant les heures normales de travail, si possible.

Tippmann fera tout son possible pour terminer la réparation dans les 24 heures après réception. Tippmann vous renverra le produit par livraison UPS normale. Si vous désirez que le produit vous soit renvoyé par un service plus rapide, vous pouvez demander un NEXT DAY AIR UPS OU UN SECOND DAY AIR UPS, mais dans ce cas, les frais relatifs à ce service vous seront facturés et vous devrez inclure votre n° de carte de crédit ainsi que sa date d'expiration. Votre carte de crédit sera débitée du montant de la différence entre le service normal de livraison et la livraison express.

• *NOTES* • *NOTAS* •

**F
R
A
N
Ç
A
I
S**

ADVERTENCIA

Este no es un juguete. El uso inadecuado puede causar lesiones muy serias, especialmente en los ojos. El protector para los ojos diseñado para las Pistolas de Aire de Baja Energía (Low Energy Air Gun (LEAG)) deberá ser usado por el usuario y cualquier otra persona que se encuentre en el radio de acción. Lea este manual antes de usar este producto.

Recomendamos que usted tenga por lo menos 18 años de edad en el momento de adquirirlo. Personas menores de 18 años deben tener la supervisión de un adulto en todo momento en el que esté usando este producto. Además usted debe obedecer todas las leyes federales, estatales, y locales que regulan la posesión y el uso de LEAG. Padres no deben permitir que menores lleven este producto a la escuela. El mantener este producto en las escuelas puede ser un crimen.

ADVERTENCIA

Nunca camufle o exhiba este producto en público ya que puede causar una confusión y puede ser un crimen. La Policía y otros pueden confundirse y pensar que se trata de un arma de fuego real. Cualquier alteración en el color o marcas requieren que la ley federal la apruebe ya que hacer que este producto se vea real es peligroso y puede ser considerado como un crimen.

ADVERTENCIA

Siempre asegúrese que el Botón Selector este en función de Seguro (ver las instrucciones de la página ES-3) adecuadamente en su LEAG de acuerdo con las instrucciones para prevenir algún daño a la propiedad, daños serios, o la muerte.

Rifle M4

Fabricado por **TIPPMANN®**

Tippmann Sports, LLC

2955 Adams Center Road, Fort Wayne, IN 46803 USA
P) 260-749-6022 • F) 260-749-6619 • www.Tippmann.com

Tippmann Sports Europe, SPRL

Rue du Mont D'Orcq 16, Z.I. Tournai Ouest, 7503 Froyennes, Belgium
Telephone +32 (0) 69 549 578 • europeservice@tippmann.com • www.Tippmann.com

FELICITACIONES por la compra de su Tippmann M4 Low Energy Air Gun (LEAG). Este Rifle M4 le dará muchos años de uso satisfactorio si es mantenido adecuadamente.

Por favor tómese todo el tiempo necesario para leer completamente este manual y familiarícese con las partes del Rifle M4, operación, y precauciones de seguridad antes de intentar cargar o hacer disparos con este Rifle M4. Si hay alguna parte faltante o en malas condiciones, o requiere asistencia, por favor póngase en contacto con el Servicio al Cliente de Tippmann al teléfono 1-800-533-4831 para un servicio rápido y amigable.

Lista de Contenidos

Advertencia / Declaracion de Seguridad	3
Inicio preparación	5
1. Cargando el Magazine	6
2. Instalación del Cartucho de CO2 (12 gramos)	6
3. Disparando su Rifle M4	6
4. Descargando su Rifle M4	6
Ajuste de la Velocidad y Ajustes Hop Up	7
Ajuste de la Rata de Disparo	8
Seguro para Torneos	8
Funciones puestas desde la Fabrica	9
Alternativas de suministro de Aire para el Rifle M4	9
Convirtiendo un Cartucho de CO2 de 12 gramos a Una línea Remota o a ASA	9
Convirtiendo de la Línea Remota o ASA a Cartucho de CO2 de 12 gramos	11
Instalación del Conector de la Línea Remota	11
Instalación del Sistema de Línea Remota	11
Instalación Opcional del ASA	13
Instalacion de Cilindro HPA/CO2	13
Advertencias Cilindro de Suministro de Aire/CO2	14
Consejos de Seguridad Cilindro de Aire/CO2	15
Remoción del Cilindro de Suministro de Aire/CO2	16
Reparación de Escapes en Cilindros de Aire/CO2	16
Limpieza y Mantenimiento	16
Almacenaje	18
Desensamble y Ensamble del Rifle M4	18
Recibidor Superior	18
Ensamble del Barril	19
Ensamble Hop Up	20
Tonrillo Posterior	20
Tornillo Frontal, Tubo de Potencia y Valvula	20
Recibidor Inferior	21
Ensamble Valvula Perforadora	21
Cuerpo del Ensamble de la Válvula Perforadora	22
Conjunto del Ensamble del Gatillo	22
Ensamble del Control de Flujo	24
Solucion a Problemas	24
Especificaciones Rifle M4	25
Rifle M4 Diagrama de Partes	26
Recibidor Inferior	27
Recibidor Superior	28
Informacion de Garantia y Reparacion	29

Advertencia / Declaracion de Seguridad

Esta Pistolas de Aire de Baja Energía (Low Energy Air Gun (LEAG)) ha sido clasificada como un arma peligrosa y es esta presentada por Tippmann Sports, LLC con el entendimiento de que el comprador asume toda la responsabilidad como resultado de el manejo inseguro o cualquier acción irresponsable que constituya una violación a las leyes o a cualquier regulacion aplicable. Por lo tanto Tippmann Sports, LLC no será responsable por cualquier lesión personal, perdida en propiedad o la vida como resultado del cualquier uso que se haga de esta arma bajo cualquier circunstancia, incluyendo cualquier descarga que se haga por el uso intencional, descuidado, negligente o accidental.

Toda la información contenida en este manual puede estar sujeta a cambios sin previa notificación. Tippmann Sports, LLC se reserva el derecho de hacer cambios o mejoras en sus productos sin incurrir en la obligación de incorporar estas mejoras en los productos que ya han sido vendidos.

Si usted, como usuario, no acepta esta clausula de responsabilidad, Tippmann Sports, LLC solicita que usted no use la Pistola de Aire de Baja Energía. Al usar este PABE usted está liberando a Tippmann Sports, LLC de cualquier responsabilidad asociada con su uso.

Seguridad es tu Responsabilidad!

ADVERTENCIA

Excepto cuando usted tiene en uso el Rifle M4, asegúrese que el Botón Selector se encuentra en posición de Seguro.

Para ponerlo en función de Seguro: Mueva el Botón hasta que el indicador este en “SEGURO” como se muestra.

Para ir a la función de Disparo: Mueva el Botón Selector de tal manera que el indicador indique la posición “SEMI o AUTO”.



La posesión de este Rifle M4 pone sobre usted la total responsabilidad en el uso seguro y responsable. Usted debe seguir todas las precauciones como si se tratara de cualquier tipo de arma de fuego para asegurar de que su seguridad y la de cualquier persona que se encuentre cerca a usted estén seguras. A continuación encontrara algunas precauciones generales las cuales usted debe tener en cuenta. El usuario debe en todo momento usar precaución y sentido común cuando use su Rifle M4 y recuerde siempre que el juego de airsoft solo puede sobrevivir y crecer mientras se mantenga seguro!

- Siempre manipule y maneje en forma segura la Low Energy Air Gun.
- Utilice blancos apropiados y seguros.
- Barrera trasera de protección debe ser inspeccionada buscando deterioro antes y después de cada uso. Descontinúe el uso si la superficie de la barrera posterior muestra señales de debilitamiento. Ya que estas superficies eventualmente se caerán, asegúrese de posicionar la barrera en un lugar que sea seguro en caso de que esta caiga. Descontinúe el uso de la barrera si un BB de airsoft rebota o repercute.
- No cargue o haga disparos con este Rifle M4 hasta que haya leído completamente este manual y se haya familiarizado con todas las medidas de seguridad y las funciones, manejo mecánico, y características de manejo.
- Manipule esta y cualquier otra arma como si se encontrara cargada en todo momento.
- Mantenga sus dedos fuera del gatillo hasta que esté listo para disparar.

- Nunca mire dentro del barril de una Low Energy Air Gun. Accidentalmente puede haber una descarga y podría tener una lesión permanente o la muerte.
- Mantenga el Rifle M4 en función de Seguro hasta que esté listo a disparar (ver Advertencias en la página 3).
- Nunca apunte a blanco que tiene la intención de disparar.
- Nunca dispare aire/CO2 a cualquier cosa que usted no tiene intención de disparar porque pueden haber airsoft BB o residuos alojados en el interior de la cámara o en el barril.
- Nunca dispare a objetos frágiles como por ejemplo ventanas.
- Evite los rebotes que se pueden producir al disparar a superficies planas o agua.
- Nunca haga disparos a personas o propiedad privada. Un impacto con airsoft BB puede causar lesiones.
- Siempre mantenga el caño apuntando para abajo o a una dirección segura. Y aun si usted se tropieza o cae, mantenga el cañón apuntando a una dirección segura.
- Ojos, cara, y oídos deben ser protegidos con los protectoras diseñados específicamente para detener proyectiles BB de airsoft, en la forma de gafas protectoras, las cuales deben ser usadas por el jugador así como cualquier persona que esté en el radio de alcance.
- Nunca haga disparos a una persona que no esté protegida cubriendo sus ojos, cara y los oídos con los protectores diseñados para airsoft.
- Presurice y cargue el Rifle M4 solo cuando será usado inmediatamente.
- Siempre almacene su Rifle M4 descargado, completamente libre de gas, en función de Seguro. NOTA: Antes de disponerse a almacenarlo o a desensamblarlo, asegúrese de haber removido todos proyectiles BB y el suministro de aire/CO2 (vea las instrucciones de descarga y remoción del aire/CO2 en las páginas 6 y 16).
- Almacene el Rifle M4 descargado en una forma segura. Siempre asegúrese de que esta descargado cuando lo saque del depósito o cuando lo reciba de alguna persona que lo tenía en uso.
- No lo desensamble su Rifle M4 en el campo de juego o mientras esta presurizado o conectado a la fuente de aire/CO2.
- Use la ropa apropiada cuando este jugando el juego de airsoft. Evite la exposición de cualquier porción de piel cuando juegue el juego de airsoft. Es más hasta una capa de ropa ligera absorberá parte del impacto y le protegerá de las proyectiles BB de la airsoft.
- Cuando este instalando o removiendo el cilindro de aire/CO2 o se presenta un escape de aire en su Rifle M4 mantenga cualquier porción de pies expuesta alejada del escape de gas. El aire comprimido, CO2 , y el gas Nitrógeno son muy fríos y pueden producir quemaduras bajo ciertas condiciones.
- Solo use el tamaño apropiado de proyectiles BB para airsoft.
- Evite la bebida alcohólica antes y durante el uso de esta pistola de aire. La manipulación de esta pistola de aire bajo la influencia de drogas o alcohol es una acción criminal que puede afectar la seguridad pública.
- Evite el disparar a un oponente en punto negro, 6 pies (2mts) o menos.
- Familiarícese con las instrucciones enumeradas en la sección de cilindro de aire/CO2 o adaptador. Contacte el fabricante de los cilindros de aire/CO2 en caso de tener laguna pregunta.
- Lea las Advertencias para cilindros de aire/CO2 y los concejos de Seguridad en las página 14-16 antes de comenzar su instalación o remoción.
- Siempre mida la velocidad de su Rifle M4 usando un cronógrafo antes de jugar airsoft y nunca haga disparos usando velocidades que excedan las ratas establecidas para cada campo de juego (ver instrucciones en la página 7).
- No exhiba o presente este producto en lugares públicos en los cuales pueda causar confusión y pueda ser considerado como un crimen. La policía u otras personas pueden confundir este producto con un arma de fuego real. La alteración en los colores para hacer que este producto se vea como un arma de fuego es muy peligroso y puede ser considerado como un crimen de acuerdo a las leyes federales y la del estado.

Inicio preparación

Este Rifle Tippmann M4 Pistolas de Aire de Baja Energía (Low Energy Air Gun (LEAG)) le ofrece tres opciones de propulsión para los proyectiles BB airsoft:

#1 - Un Magazine estándar puede sostener un cartucho de CO2 de 12 gramos para Rifle M4.

#2 - Un conector para Línea Remota de Aire (incluida, pero requiere una línea de aire y la fuente de aire) es instalado en el mango. Requiere la modificación de la válvula Perforadora (página 9). Conecte la línea Remota a un cilindro regulado que de 800 PSI de presión de Aire (PAA) o CO2. Un magazine alternativo podría ser usado para este método.

#3 - Compre un juego de Adaptador para Suministro de Aire (ASA) en Tippmann e instálelo en la parte Inferior del Mango para ser usado con un cilindro PAA (regulado a 800 PSI o más bajo) o uno de CO2 para conéctelo directo al LEAG. Requiere la modificación de la válvula Perforadora (página 9). Un magazine alternativo puede ser usado para este método.

- Protectores para ojos diseñados para el juego de airsoft deben ser usados en todo momento por el usuario y toda persona que se encuentra en el radio de juego.
- No desensamble este Rifle M4 mientras se encuentra bajo presión con aire/CO2.
- Nunca presurice un Rifle M4 que este parcialmente ensamblado.
- Lea cada paso completamente antes de realizar cada uno.

NOTA: Con mucho cuidado inicie la rosca de las partes con sus manos cuando este ensamblando y no apriete demasiado, ya que podría causar alteración en las roscas.

1. Cargando el Magazine

El Botón Selector debe estar en posición de Seguro (ver página 3).

- a. Haga presión sobre el botón de desenganche del Magazine en el recibidor.



b. Oriente el Magazine como se muestra a la derecha.

c. Llene el Magazine en la abertura que indica la flecha con un máximo de ocho proyectiles BB de 6mm de precisión. Se Podría facilitar este proceso si usa un cargador (lo puede adquirir con su distribuidor de airsoft). No intente sobrecargar el.



2. Instalación del Cartucho de CO2 (12 gramos)

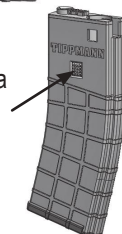
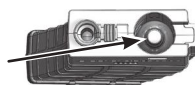
a. Haga presión sobre el botón de desenganche del Magazine en el receptor. Sostenga siempre el Magazine en caso de que una corriente de CO2.

b. Inserte un cartucho nuevo de CO2 de 12 gramos dentro del Magazine, oriéntelo como se muestra (ver flecha).

c. Haga presión sobre el botón para liberar el Cartucho CO2. Esto permitirá que el cartucho caiga completamente dentro del Magazine. Siempre que este instalando un cartucho nuevo, presione este botón para liberar el cartucho que esta vacío.

d. Cargue el Rifle M4 jalando todo lo que pueda hacia atrás la Manija para cargar y permita que esta regrese a su posición inicial.

e. Muy lentamente reinserte el magazine dentro del receptor hasta que escuche un click. El cartucho de CO2 no esta perforado. Para perforar el cartucho CO2, empuje el Magazine contra la el fondo o al instalarlo hágalo en forma rápida.



Para conectar otro tipo fuente de aire (800 PSI regulados HPA o un cilindro de CO2) al Rifle M4, por favor refiérase a las instrucciones en la página 9.

3. Disparando su Rifle M4

a. Diríjase a la zona designada para disparos. Use en todos momento los protectores diseñados para ojos al igual que cualquier persona que se encuentre en el radio de juego.

b. Remueva el mecanismo de bloque del barril.

c. Mueva el botón selector a la función de disparo. El Rifle M4 dispara en las funciones SEMI o AUTO. In la función SEMI, usted tiene que jalar el gatillo cada vez que quiere hacer un disparo. En la función AUTO los disparos son continuos mientras usted jala el gatillo.

d. Apunte su Rifle M4 en dirección segura y jale el gatillo para hacer disparos.

e. Cuando termine, ponga el boton selector en la posición de Seguro (página 3).



4. Descargando su Rifle M4

a. Los protectores diseñados para proteger los ojos cuando usa airsoft deben ser usados por el usuario y cualquier persona que se encuentre en el radio de juego.

b. Presione el botón que libera el Magazine que está en el receptor.

c. Cualquier CO2 que se encuentre en el cartucho de 12 gramos saldrá, y cuatro o cinco proyectiles airsoft BB saldrán del receptor. Si usted tiene un fuente alternativa de aire, debe apagarla (ver la página 16 para la remoción del cilindro).

d. Descargue su Rifle M4 apuntándolo en una dirección segura y jale del gatillo. Nunca asuma que porque el magazine LEAG ha sido removido no han quedado proyectiles BB o cualquier objeto extraño atrapados en el barril. Debe siempre manejar el LEAG como si estuviera cargado, y con las mismas precauciones y

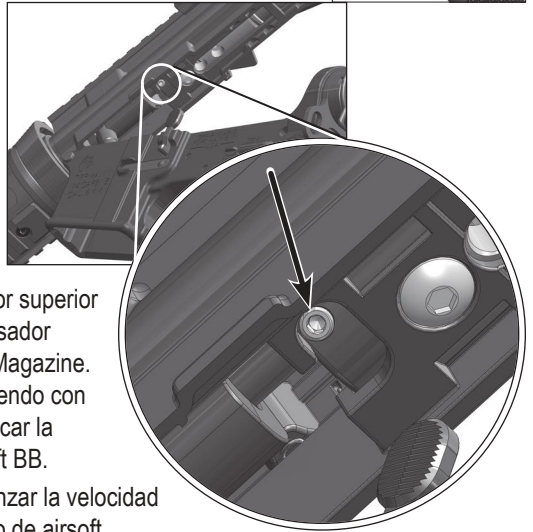
respeto que usted tendría con cualquier arma de fuego.

- e. Regrese el Botón Selector a la posición de Seguro.

Ajuste de la Velocidad

Cada vez que usted juega airsoft, debe chequear la velocidad de su Rifle M4 usando un cronometro (instrumento para medir la velocidad). Cuando usa proyectiles airsoft BB de .2 g, asegúrese que el Rifle M4 esta calibrada por debajo a los 400 pies por segundo (o menos si es requerido por el campo de juego).

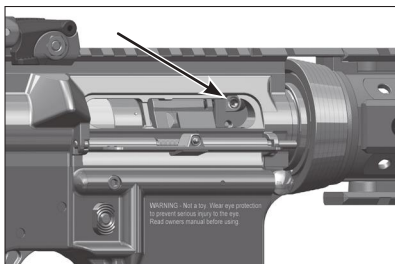
1. Retire el suministro de aire. Presione el botón que libera el Magazine del recibidor (referir a la página 6), o apague y permita que la salida del aire en la Line Remota. Ver página 16 para remover el cilindro HPA/CO2.
2. Desde el lado izquierdo del Rifle M4, Empuje el Pasador que lleva a bajo (como indica la flecha en el extremo derecho) hasta que tenga suficiente cabeza disponible en el lado derecho para poder tomarlo. Jale la cabeza del pasador hasta que este pare, ya que no puede ser removido completamente.
3. Gire la boca del canon hacia abajo como se muestra. Busque el tornillo de ajuste (en círculo) en la parte inferior del Recibidor.
4. Use la llave hex de 5/16" que ha sido incluida en el Tornillo de la Velocidad. Dele vuelta en incrementos de $\frac{1}{4}$ de vuelta o menos. La velocidad se reducirá cuando gira el Tornillo en sentido a las agujas del Reloj. Para aumentar la velocidad, de vuelta al Tornillo en sentido contrario a las agujas del reloj.
5. Una vez ha ajustado el Tornillo de Velocidad, de vuelta al recibidor superior a su posición inicial, inserte el Pasador que va para abajo, y reinstale el Magazine. Haga los disparos con el M4 midiendo con el cronógrafo de nuevo para verificar la velocidad de los proyectiles airsoft BB.
6. Repita si es necesario hasta alcanzar la velocidad apropiada para el campo de juego de airsoft.



Ajustes Hop Up

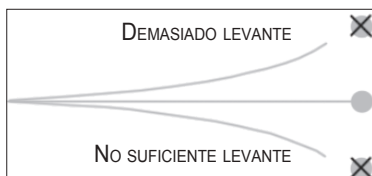
El Rifle M4 ha sido fabricado con el sistema HOP UP. El propósito de este sistema es el de cambiar la rotación en los proyectiles BB cuando salen de la boca del canon, permitiéndole que usted pueda ajustar sus disparos para las diferentes distancias. Si el Rifle M4 está disparando con mucha alzada usted tiene mucho HopUp..Abra la Cubierta del Puerto de Salida en la parte derecha de su Rifle M4. De vuelta a el tornillo de calibración del HOPUP (flecha) en el sentido de las manecillas del reloj (SMR) para reducir la cantidad de HOPUP (6 vueltas máximo han sido calibradas de fabrica).

Si el Rifle M4 está disparando sin suficiente levante, usted no tiene suficiente HopUp. De vuelta al tornillo calibrador del HopUp (flecha) en sentido a las manecillas del Reloj (SMR) para aumentar la cantidad de HopUp (6 vueltas máximo han sido calibradas de fábrica).



Ajuste de la Rata de Disparo

El rifle M4 utiliza aire para reajustar el control de la función del Gatillo Automático y el Tornillo de liberación del ciclo. Cuando el rifle dispara, una pequeña cantidad de aire entra en el cilindro de respuesta y reajusta el gatillo. El aire que fluye hacia afuera del cilindro está controlado por la válvula de Ajuste de Disparo que controla la liberación del tornillo para la rata de fuego elegida. El rango de la rata de Ajuste de Disparo tiene extremos que son los siguientes:



El Tornillo de Ajuste de Rata de Disparo se le ha dado demasiadas vueltas en sentido a las agujas del reloj (SAR, adentro)

El aire que está en el cilindro no será liberado y el gatillo no liberará el cierre. El gatillo se sentirá como esponjoso, no disparará el rifle y el seguro no se podrá mover de la posición automática total. Refiérase a la página 24 Solución a Problemas – Halando el Gatillo no liberará el Tornillo para detalles de cómo liberar el gatillo. Una vez usted que usted ha abierto el receptor, de vuelta al Tornillo de Ajuste de Rata de Disparo SAR (adentro) hasta que el aire atrapado sea liberado. Nota: De vuelta al tornillo de ajuste SAR (adentro) hasta que el aire atrapado sea ventilado para iniciar el Ajuste Automático Total.

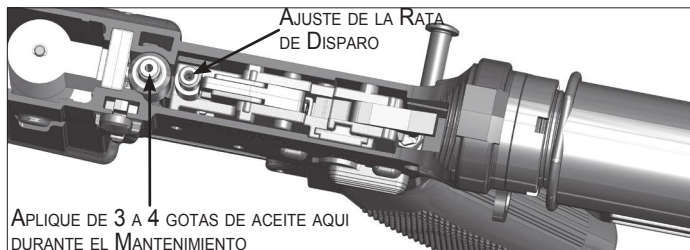
El Tornillo de Ajuste de Rata de Disparo se le ha dado demasiadas vueltas en sentido contrario a las agujas del reloj (SCAR, afuera)

El gatillo se podrá reajustar, luego

proceda con la liberación del Tornillo de liberación el Ciclo antes de este quede listo en posición. El rifle hará este en posición un disparo o también podrá tener una descarga corta de aire en la Función Automática Total. El Ensamble Automático Total del Gatillo estará más rápido que el ciclo del tornillo posterior.

Para ajustar la Rata de Disparo, abra el Rifle M4 como se describe en Ajuste de Velocidad pasos del 1 al 3 en la página previa. Use una llave hex de 1/16" para dar vuelta al tornillo aplique incrementos de 1/8 de vuelta cada vez. Una recomendación para tener un punto de comienzo para el ajuste del tornillo es dar vueltas de 1 de vuelta para afuera de la posición de vuelta total en sentido a las agujas del reloj (adentro).

Dando vuelta al tornillo de ajuste sentido contrario a las agujas del reloj (afuera) aumentará la rata de disparos. Si le da demasiada vuelta, el rifle solo disparará un solo disparo o una descarga.



Dando vuelta al tornillo de ajuste sentido a las agujas del reloj (adentro) disminuye la rata de disparos. Si le da demasiada vuelta, el rifle no disparara o el ciclo será demasiado lento.

Funciones puestas desde la Fabrica

Funciones Hop Up calibradas desde la fábrica son de 5-6 vueltas SCMR (afuera) tomadas completamente adentro SMR (adentro). Esta sería un poco por encima del nivel de la superficie del recibidor alrededor del tornillo. Esencialmente esto sería como cero HopUp (giro contrario) en la pelota. Esta posición es algo que recomendaríamos también antes de remover en ensamble del barril / cargado HopUp . Hacemos esto para que el bloque de ajuste salga libremente cuando se remueva del barril.

Rata de Disparo ha sido ajustada de fábrica con el tornillo completamente metido para una rata máxima de disparo.

Seguro para Torneos (equipo opcional)

Tippmann Sports le ofrece el Seguro para Torneos. Este consiste un Pasador que lleva abajo que no se puede sacar sin el uso de una herramienta. Esto previene tener acceso al tornillo que ajusta la velocidad durante el juego. Si usted desea instalar un Seguro para Torneos, contacte a Tippmann Sports. Siga cada una de las instrucciones que vienen con el estuche de Seguro para Torneos.

Alternativas de suministro de Aire para el Rifle M4

El Rifle de Aire M4 de Baja Energía (RABE) le ofrece tres opciones para propulsión de las bolas de BBs:

#1 - Magazine sostiene un cartucho estándar de 12 gramos de CO2 para dar energía al Rifle M4. El Ensamble de La Válvula Perforadora es usado para perforar un cartucho de CO2 de 12 gramos.

#2- Un conector a Línea Remota (Incluido, pero requiere una línea de aire y el suministro de aire) está instalado dentro del Mango. Requiere la remoción de la válvula de perforación (página 9). Conecte la Línea Remota a un cilindro regulado con 800 PSI de alta Presión (APA) o CO2. Los clientes también pueden usar una alternativa instalando un Magazine usado para este propósito (la mayoría trabajan muy bien con este Rifle M4).

#3 - Otra opción es el conjunto de Adaptador de Suministro (ASA) de Tippmann que será instalado en la parte Inferior del Mango para ser usado con cilindro de (regulado de 800 PSI o mas bajo) APA o un cilindro de CO2. Requiere la remoción de la válvula perforadora ver la (página 9). Los clientes pueden usar la alternativa de un magazine usado para este método (la gran mayoría trabajan con el Rifle M4).

Revisar concejos de Seguridad el Suministro de Aire/CO2 (página 15).

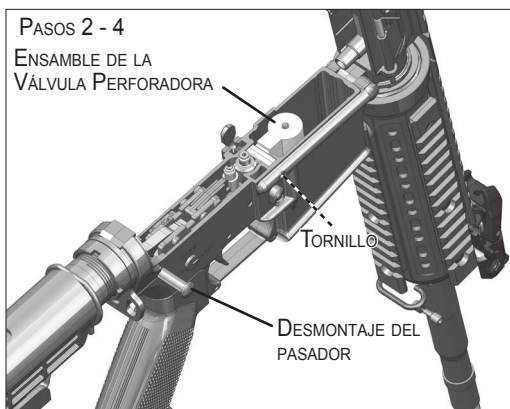
Convirtiendo un Cartucho de CO2 de 12 gramos a Una línea Remota o a ASA

Si usted está usando un Línea de Aire Remota, un sistema de entrega de aire ASA, o una magazine usado, usted necesita remover el Ensamble de la Válvula Perforadora:

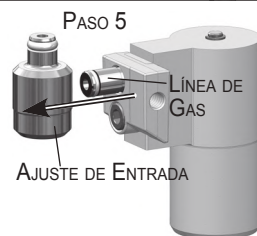
1. Remueva el suministro de aire. Presione el botón que libera el Magazine del recibidor (vea el Paso 4 en la página 6).



- Desde el lado izquierdo de su Rifle M4, empuje el Pasador que lleva hacia abajo hasta que la cabeza esté disponible en el lado derecho y sosténgala. Hale la cabeza del pasador hasta que se detenga, como esta no se puede remover completamente.
- Incline el cañón hacia abajo como se muestra. Remueva y deje a un lado el tornillo.
- Remueva el ensamble de la Válvula Perforada del Recibidor Inferior.



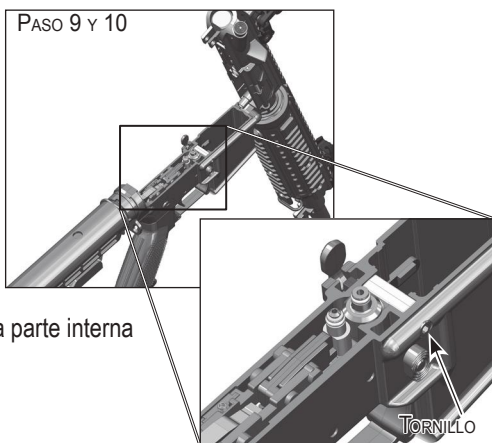
- Remueva el Ajuste de Entrada de la Línea de Gas.



- Localice la lengüeta de fijación y el tapón de montaje en la bolsa de accesorios que viene incluida.
- Instale el empaque al final del tapón de montaje dentro del Ajuste de Entrada.
- Instale el otro extremo en el tapón de montaje dentro de la lengüeta de fijación.



- Reinstale este ensamble dentro del Rifle M4 asegurándose que el Ajuste de Entrada sienta dentro de la parte interna de la línea de gas.



- Reinstale el Tornillo del paso 3 en la parte Inferior del Recibidor.

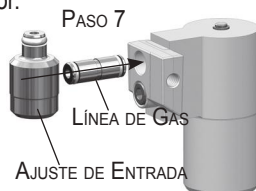
NOTA: Mantenga el ensamble de la Válvula Perforadora y la Línea de Gas en caso de que usted decida regresar al sistema de entrega con cartucho de CO2 de 12 gramos.

Mire la página 11 para mas instrucciones en la Línea Remota.

Convirtiendo de la Línea Remota o ASA a Cartucho de CO2 de 12 gramos

Si usted decide regresar al método de Cartucho de CO2 de 12 gramos, usted necesita reinstalar la válvula perforadora:

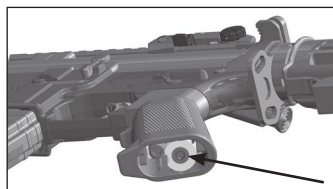
1. Remueva el suministro de aire. Presione el botón que libera el Magazine del recibidor (ver paso 4 en la página 6).
2. Desde el lado izquierdo de su Rifle M4, empuje el Pasador que lleva hacia abajo hasta que la cabeza esté disponible en el lado derecho y sosténgala. Hale la cabeza del pasador hasta que se detenga, como esta no se puede remover completamente.
3. Incline el cañon hacia abajo como se muestra. Remueva y deje a un lado el tornillo.
4. Localize la Válvula Perforadora de remociones previas.
5. Levante el Ajuste de Entrada, tapón de montaje, lengüeta de fijación del parte inferior del Recibidor.
6. Remueva el Ajuste de Entrada del tapón de montaje.
7. SI puede ser aplicado, inserte la Línea de Gas dentro de la Válvula de Perforación. Instale el Ajuste de Entrada dentro de la línea de Gas.
8. Reinstale este ensamble dentro del Rifle M4 asegurándose que el Ajuste de Entrada sienta dentro de la parte interna de la línea de gas. Reinstale el tornillo del paso 3 en el recibidor inferior.



Instalación del Conector de la Línea Remota

Solo realice este paso después de haber convertido de una Línea Remota de 12 gramos como se describe en la página 9.

1. Usando la llave Hex de 3/16", retire el tapón (ver la fleche) de la Línea de Gas Inferior en el fondo del Mango de su Rifle M4.
2. Localice el conector para la Línea Remota que se ha suministrado con su Rifle M4.
3. Usando sus dedos, inicie el enrosque de las partes para no alterar las mismas dentro de la Línea de Gas Inferior.
4. Apriete estas usando un llave de 7/16" hasta que quede apretadas.
5. Modificar la válvula Perforadora como se describe en las página 9.

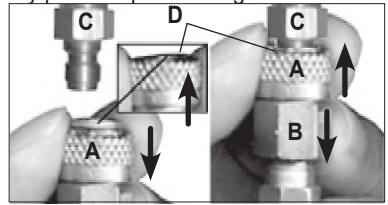


Si bien el tapón o los conectores de la Línea Remota es reinstalado en el mango, use cinta de teflón en las roscas para prevenir escapes de aire.

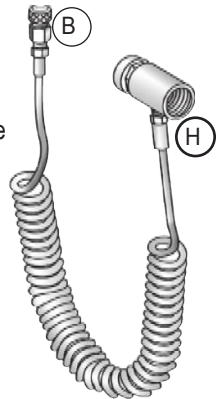
Instalación del Sistema de Línea Remota

1. Los protectores para ojos diseñados para airsoft deben ser usado por el jugador y cualquier persona que se encuentre en el radio de juego.

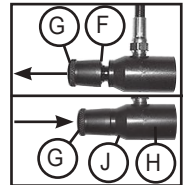
- Descargue su Rifle M4 (ver página 6) y remueva cualquier remanente de aire/CO2 (ver página 16).
- Ponga el Botón Selector en función de Seguro (ver la página 3).
- Engatille el Rifle M4 jalando hacia atrás la palanca y permita que esta regrese a su posición adelante. Siempre mantenga el Rifle M4 engatillado cuando el suministro de aire/CO2 está siendo instalado. Esto ayudara a prevenir descargas accidentales.



- Con el cilindro instalado a la Línea Remota, jale y sostenga el anillo de acople que asegura (A) hacia abajo para conectar o remover el acople de la Línea Remota (B).
- Para conectar, sostenga hacia abajo el Anillo que Asegura (A), empuje el acople de la línea remota (B) dentro del conector (C), y luego libere el empaque del seguro a la posición de seguro (D). Jale hacia abajo en el acople de Línea Remota (B) asegúrese que este seguro adecuadamente.
- Apague la válvula Línea Remota de control del flujo aire/CO2 (F) dando vuelta a la manija de control (G) en sentido contrario a las agujas del reloj hasta que se detenga (ver la parte superior G en la ilustración de la derecha).



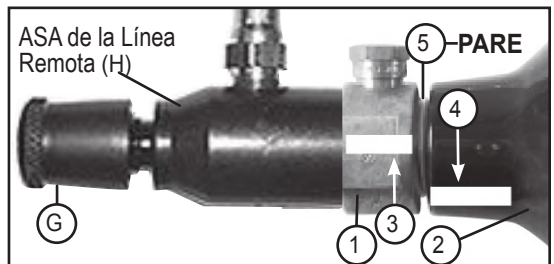
- Instale el cilindro de aire/CO2 para la Línea Remota ASA (H). Primero haga una marca en el cilindro y en la válvula del cilindro si es necesario (vea las páginas 14-15 para Advertencias y Seguridad con el Cilindro de Aire/CO2). Lubrique el empaque de la válvula del cilindro con aceite Certificado de Tippmann, luego introduzca el extremo de la válvula del cilindro dentro del ASA de la Línea Remota (H). De vuelta al cilindro siguiendo en sentido de la manecillas del reloj dentro del ASA hasta que pare.



- Su Rifle M4 estará listo para disparar una vez que usted haya:
- De vuelta para encender a el control de flujo G en sentido a las agujas del reloj hasta que pare (J),
 - Remueva el mecanismo de bloque del barril y
 - De vuelta al botón selector de la posición de Seguro a Semiautomático.

Suspenda el suministro de Aire/CO2. Remueva el magazine (ver página 6), de vuelta al control de flujo (G) en sentido contrario al las manecillas del reloj hasta que pare (F). La línea de aire esta aun bajo presión. Apunte su Rifle M4 en dirección segura y descargue todo gas remanente en su Rifle M4 jalando el gatillo hasta que deje de disparar. Para encender de nuevo el suministro de aire, primero jale para atrás la manija de carga, luego de vuelta completamente al control de flujo en el sentido de las manecillas del reloj (J).

- Remoción del cilindro de Aire/CO2 de la Línea Remota ASA – Usted debe primero leer las Advertencias y Consejos de Seguridad para el Cilindro de Aire/CO2 en la página 14-15 antes de iniciar el proceso de remoción del cilindro en la página 16. Descargue el



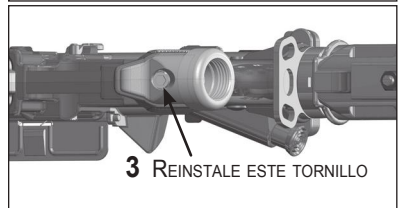
Magazine del Rifle M4 (ver la página 6).

10. Refiérase a la ilustración que está a la derecha. Cuando usted da vuelta a el cilindro de aire/CO2 (2) durante la remoción, mire las marcas (4) en el cilindro y las marcas (3) en la válvula del cilindro para asegurarse de que están rotando juntos. Si usted ve que las marcas han comenzado a separarse (5), PARE! y lleve su Rifle M4 y el cilindro a un profesional calificado y certificado "C5" airsmith.
11. Ponga el gatillo en función de Seguro (ver la página 3).

Instalación Opcional del ASA

Solo realice este paso después de haber convertido de una Línea Remota de 12 gramos como se describe en la página 9.

1. Desocupe el Rifle M4 (ver página 6) y remueva cualquier residuo de aire/CO2 remanente (ver página 16).
2. Ponga el Botón Selector en posición de Seguro (ver página 3).
3. Remueva el tornillo de cabeza hueca que está en el fondo de el Mango (flecha en el grafico 1) y remueva el Conector de la Línea de Gas Inferior.
4. Alinee el ASA con la Línea de Gas (Grafico 2) e introdúzcalo dentro del Mango. Asegúrela con el tornillo que removi6 en el paso 2 como se muestra en el grafico 3.
5. Modificar la válvula Perforadora como se describe en página 9.



Instalación de Cilindro HPA/CO2

1. Engatille el Rifle M4 jalando la manija para atrás y permita que regrese a su posición. Siempre guarde su Rifle M4 en posición de engatillado cuando el suministro de aire/CO2 está unida al ASA. Esto le ayudara a prevenir una descarga accidental.
2. La protección para ojos diseñada para airsoft debe ser usada por el usuario y cualquier persona que se encuentre en el radio de juego.
3. Lubrique los empaques en la válvula del cilindro con aceite Certificado Tippmann.
4. Inserte la válvula del cilindro suministro de aire/CO2 en el adaptador (ASA) en el suministro de aire/CO2 al fondo del mango.
5. De vuelta al cilindro en el sentido a las manecillas del reloj dentro del adaptador de suministro de aire/CO2 hasta que se detenga. Tenga precaución ya que en este punto el Rifle M4 podría disparar después de que usted mueva el botón selector a función de disparo.
6. Para remover el cilindro, primero descargue el Rifle M4 (ver la página 6). De vuelta al cilindro aproximadamente $\frac{3}{4}$ de vuelta en sentido contrario a la manecillas del reloj. Esto permitirá el cierre del pasador de la válvula de suministro de aire de tal manera que el aire no entrara en el Rifle M4. Apunte su Rifle M4 en una dirección segura y descargue cualquier remanente de gas en el Rifle M4 jalando el gatillo hasta que el Rifle M4 deje de



disparar. Si su Rifle M4 continua disparando, el pasador de la válvula del cilindro no ha cerrado aun (el pasador de la válvula del cilindro puede ser más largo de lo usual. Debido a las variedades que pueden haber con los pasadores de las válvulas, cada cilindro puede variar un poco de los otros, variando también en que tanto habría que darle vuelta) y usted tendrá que darle vuelta al cilindro en sentido contrario a las manecillas del reloj un poco mas y repetir el paso anterior hasta que su Rifle M4 no dispare mas, y luego remueva el cilindro. NOTA: Si durante este paso, usted le dio vuelta al cilindro y este empezó a tener escape antes de que usted jalara el gatillo, el empaque del cilindro deberá ser revisado buscando algún daño antes de re-ensamblarlo (ver *Reparación de Escapes del Cilindro de Aire/CO2* en la página 16).

Advertencias Cilindro de Suministro de Aire/CO2

ADVERTENCIA

Las válvulas de bronce o niqueladas (1) han sido hechas para estar permanentemente unidas al cilindro de aire o CO2 (2).

Un cilindro de aire o CO2 puede salir con mucha fuerza causando serias lesiones e incluso la muerte si el cilindro es desatornillado de la válvula del cilindro.

Refírase a la parte superior derecha de la grafica. Se han reportado incidentes causados por jugadores que sin saber han desatornillado el cilindro (2) de la válvula del cilindro (1). Esto ocurre cuando el jugador piensa que el ensamble válvula - cilindro ha sido desatornillado de el adaptador de aire/CO2 de la pistola de Aire, cuando en realidad el/ella ha desatornillado el cilindro de la válvula del cilindro.

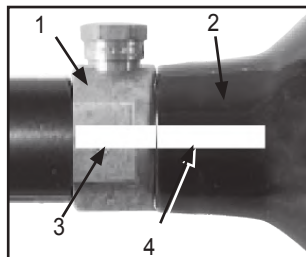
Para evitar este peligro, recomendamos (si su cilindro aun no ha sido marcado) que usted use pintura o esmalte para las unas haga una marca (3) en la válvula del cilindro, y haga otra marca (4) en el cilindro, en la línea con el #3 como se muestra.

Siempre que de vuelta al cilindro durante la remoción, mire las marcas en el cilindro y en la válvula del cilindro y asegúrese que estos giran juntos. Si en algún momento estas marcas comienzan a separarse como se muestra en la parte inferior de la grafica, el cilindro comienza a desatornillarse de la válvula del cilindro usted debe PARAR y llevar toda la unidad a un técnico certificado "C5" airsmith para una remoción segura y/o reparación.

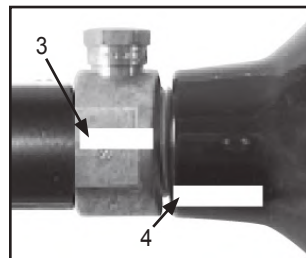
NOTA: La válvula del cilindro debe ser desatornillada de la pistola de Aire en aproximadamente 3 o 4 vueltas completas. Si usted termina en el 4ª vuelta y la válvula del cilindro no se ha desatornillado de la pistola Aire, PARE! Tome toda la unidad a un técnico certificado airsmith "C5" para un remoción segura y/o reparación.

Para localizar un técnico certificado "C5" en www.paintball-pti.com.

Sea que usted tenga un cilindro de aire o CO2 nuevo o usado, usted está en riesgo si una de las siguientes situaciones ocurre:



CILINDRO Y VÁLVULA MARCAS



CILINDRO Y VÁLVULA MARCAS SEPARARSE

- La unidad de válvula fue reemplazada o alterada después de compra.
- Un sistema anti-siphon fue instalado.
- La unidad de la válvula fue removida del cilindro por alguna razón.
- Cualquier modificación fue hecha para que el cilindro de aire o CO2 sea confiable.

Si alguna de estas condiciones han ocurrido, lleve su cilindro de aire o CO2 a un técnico certificado en airmith "C5" para que haga una inspección o contacte al fabricante de cilindros.

Consejos de Seguridad Cilindro de Aire/CO2

CONSEJOS DE SEGURIDAD que aseguren que su cilindro de aire o CO2 es seguro para juego:

- Inapropiado uso, carga, almacenamiento, o descarte de un cilindro de aire o CO2 puede resultar en daños a la propiedad, a la integridad personal, o la muerte.
- Asegúrese que cualquier clase de mantenimiento o modificaciones de cualquier cilindro de aire o CO2 sea realizado por un profesional calificado, como es un técnico "C5" airmith certificado.
- El uso de artefactos anti-siphon no lo recomendamos. No obstante, si usted tiene uno de estos ya instalado en su cilindro de aire o CO2 o desea uno, es fundamental que su cilindro sea revisado o el artefacto sea instalado, por un profesional calificado.
- Todo cilindro de aire o CO2 debe ser cargado únicamente por una persona que este entrenada adecuadamente para esto.
- Cualquier válvula para el cilindro solo debe ser instalada por una persona entrenada para esto.
- No sobrecargue el cilindro! Nunca exceda la capacidad del cilindro de aire o CO2.
- No exponga el cilindro de aire o CO2 a temperaturas que excedan los 130 grados Fahrenheit (55 grados Celsius).
- No use limpiadores cáusticos o solventas sobre el cilindro de aire o CO2 o sobre la válvula del cilindro y no los exponga a productos corrosivos.
- No modifique en alguna forma el cilindro de aire o CO2. Nunca intente desensamblar la válvula del cilindro del cilindro de aire o CO2.
- Cualquier cilindro de aire o CO2 que hayan sido expuestos al fuego o a temperaturas de 250 grados Fahrenheit (121 grados centígrados) o más, deben ser destruiditos por una persona adecuadamente entrenadas.
- Use un cilindro de aire que sea apropiado. Solo use CO2 en un cilindro para CO2 y solo use aire comprimido en un cilindro para aire comprimido.
- Mantenga todos cilindros fuera del alcance de los niños.
- El cilindro de aire o CO2 debe ser inspeccionado y revisado hidrostáticamente por lo menos cada 5 años por técnico con licencia DOT.
- Mantenga la piel expuesta alejada de cualquier escape de gas cuando este instalando o removiendo el suministro de aire/CO2, o si el Rifle M4 o el suministro de aire/CO2 presenta un escape. El aire y el gas CO2 comprimido es muy frio, y puede causar quemaduras en la piel bajo ciertas condiciones.

NOTA: Localice a un técnico certificado "C5" airmith en www.paintball-pti.com.

Remoción del Cilindro de Suministro de Aire/CO2

Estas instrucciones se aplican para el Adaptador de Suministro de Aire (ASA) o también para Adaptadores Línea Remota ASA instalada en el cilindro.

1. Lea primero todas las Advertencias para Cilindros de Suministro de Aire/CO2 (página 14) y Consejos de Seguridad para Cilindros de Suministro de Aire/CO2 (página 15).
2. La protección para ojos diseñada para el juego de airsoft debe ser usada por el jugador y por cualquier persona que se encuentre en el radio de juego.
3. Remueva el magazine del Rifle M4.
4. Para la Línea Remota ASA solamente, de vuelta al botón de Control de Flujo.
5. Cambie el botón selector a la posición de disparo. Apunte su pistola en una dirección segura, y descargue cualquier residuo de gas en la pistola jalando el gatillo repetidamente hasta que deje de disparar (esto puede tomarle de 4 – 5 disparos). Para el mango ASA instalado en el cilindro, si su pistola continua disparando, el pasador de la válvula del cilindro no ha cerrado aun (el pin de la válvula del cilindro puede ser mas largo de lo usual debido a las diferentes variantes en las partes de las válvulas del cilindro, cada cilindro puede tener una variación pequeña en la distancia en la cual requiere que se le de vuelta). De vuelta al cilindro en sentido contrario a las manecillas del reloj un poco mas y repita este paso hasta que la pistola no dispare mas. Solo en ese momento remueva el cilindro de suministro de aire /CO2. **NOTA:** Si durante este paso . usted da vuelta al cilindro de suministro de aire/CO2 y este comienza a presenta un escape antes de que usted jale el gatillo, el empaque del cilindro deberá ser revisado buscando alguna defecto o daño antes de cualquier reensamble (vea *Reparación de Escapes en Cilindros de Aire/CO2* en la parte de abajo).
6. Una vez que el cilindro de aire/CO2 ha sido removido, apunte una vez mas y haga disparos hacia una dirección segura para verificar que la pistola está completamente desocupada de gas.
7. Mueva el Botón Selector a una posición Segura (ver la página 3).

Reparación de Escapes en Cilindros de Aire/CO2

El escape de aire mas común ocurre cuando se tiene un empaque defectuoso o en mal estado en la válvula del cilindro de suministro de aire/CO2. Para reemplazar el empaque de la válvula usted debe primero remover el empaque dañado y luego instale uno nuevo. Este empaque esta localizado en el extremo de la válvula del cilindro de suministro de aire/CO2. Los mejores empaques están fabricados en uretano. Los empaques de uretano no son afectados por las altas presiones en suministro en un cilindro de aire/CO2. Estos empaques pueden ser adquiridos en Tippmann o también con su distribuidor local airsoft.

NOTA: Si el cambio del empaque en la válvula de suministro de aire/CO2 no resuelve el escape de aire, no intente reparar el cilindro de suministro de aire/CO2. Contacte a Tippmann Sport, LLC, a su técnico local, o a un técnico certificado airsmith "C5".

Limpeza y Mantenimiento

- Para reducir los riesgos de un accidente, descerque, remueva el magazine y siga los pasos de Remoción del Cilindro de Suministro de Aire/CO2 (en la página 16).
- Los protectores para ojos (gafas de seguridad) deben ser usadas.
- Lea y siga las advertencias y consejos de seguridad en las páginas 14-15.
- No desensamble una pistola mientras este bajo presión con aire/CO2.

- No presurice una pistola que este parcialmente ensamblada.
- Siga las advertencias enumeradas en manejo y almacenamiento del cilindro de aire/CO2.
- Familiarícese con las instrucciones enumeradas con el cilindro de aire/CO2.
- Contacte el fabricante de cilindros de suministro de aire/CO2 con cualquier pregunta.
- No use ningún tipo de solventes a base de petróleo.
- No use ningún tipo de solventes limpiadores que vengan en latas de aerosol, estos productos pueden dañar sus empaques.

Para limpiar el Rifle M4 en su parte externa, use una toalla húmeda y remueva todo residuo. Para mantener su Rifle M4 en buenas condiciones de trabajo, inspeccione, limpie, y reemplace las partes defectuosas.

Lubrique el empaque de la válvula del cilindro de suministro de aire/CO2 con aceite certificado de Tippmann. Cartuchos de 12 gramos tienen una pequeña cantidad de aceite por dentro. Si usted está usando un APA o un cilindro de CO2, aplicando 3 o 4 gotas de aceite en le acople de la Válvula Perforadora (ver la página 8) para lubricación de las partes internas. Siempre que desensamble el Rifle M4, aplique aceite en el empaque del Tornillo Posterior. Use aceite Tippmann lubricando ligeramente los empaques y resortes.

Los mejores empaques están fabricados en uretano. Los empaques de uretano no son afectados por las altas presiones en suministro en un cilindro de aire/CO2. Estos empaques pueden ser adquiridos en Tippmann o también con su distribuidor local airsoft.

Si la magazine se ensucia, se puede utilizar aire comprimido para eliminar los restos. Siga los siguientes pasos para desmontar el magazine.

1. Pulse el botón que se encuentra en la parte inferior de la Magazine.
2. Deslice la tapa del depósito de la Magazine.
3. Presione en la parte inferior de la Revista para deslizar el Interior Asamblea Magazine de la Magazine carcasa exterior.
4. Utilice aire comprimido para eliminar restos de polvo o suciedad.
5. Para el montaje de la Magazine, pulse en el botón para instalar el Shell Cap.



Almacenaje

Antes de almacenar el Rifle M4, descárguelo (ver página 6) y retire cualquier tipo de suministro de aire/CO2 (ver la página 16). Ponga el Botón Selector en Posición de Seguro (ver la página 3). Antes de almacenar su Rifle M4 asegúrese que esté limpia y lubricada (ver Limpieza y mantenimiento) Ponga el Rifle M4 con el tornillo hacia adelante, posición de desengatillado. Almacene su Rifle M4 en un lugar seco.

Cuando saque el Rifle M4 del depósito, asegúrese que el Botón selector este en Función de Seguro (ver la página 3).

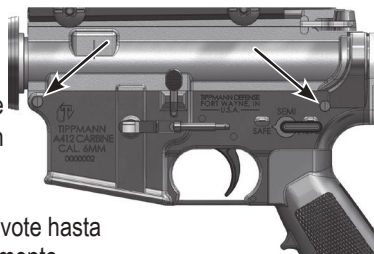
Desensamble y Ensamble del Rifle M4

Prepare una mesa de trabajo con suficiente espacio y asegúrese que ninguna parte pequeña se pueda perder. Siga las instrucciones de seguridad en todo momento cuando desensamble o ensamble su Rifle M4.

- Primero siga las instrucciones para Descargar Su Rifle M4 en la página 6 y las instrucciones para Remover el Cilindro de suministro de aire/CO2 en la página 16.
- Siempre use los elementos de protección para ojos (como gafas de seguridad) cuando este realizando un desensamble o reensamble.
- No presurice un Rifle M4 que este parcialmente ensamblado.
- Ponga el Rifle M4 en posición de des- engatillado. Si su Rifle M4 esta engatillado, jale hacia atrás y sostenga la manija para cargar. Jale y sostenga el gatillo mientras en forma lenta mientras se libera la Manija la carga hacia adelante para la posición de des-engatillado del Rifle M4.

Las Instrucciones de desensamble se han enumerado aquí. Para re-ensamblar, haga los pasos en forma invertida. Tome como referencia el esquema de partes que esta incluido en este manual. Los números de items para gráficos específicos están en paréntesis. Para números de parte y las cantidades, consulte www.Tippmann.com.

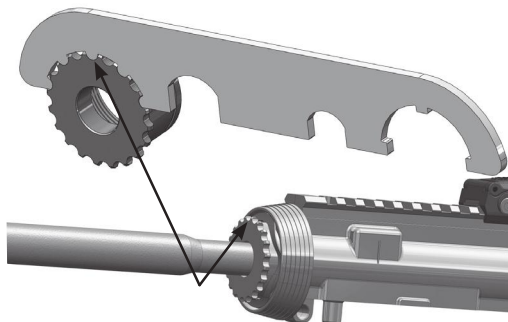
1. En el lado izquierdo del Recibidor, empuje sobre el Pasador que va al fondo y el pasador Pivote (se muestran con flechas a la derecha) hasta que las cabezas de los pasadores sean accesibles en el lado derecho.
2. Desde el lado derecho del Rifle M4, jale hacia afuera el pasador que va al fondo y el pasador Pivote hasta que pare. Estos no se pueden remover completamente.
3. El Recibidor Superior y el Recibidor Inferior pueden ser separados el uno del otro.



Recibidor Superior Refierase a la página 28.

1. Usando sus dedos, jale hacia abajo en el empaque Delta (12) y remueva la mitad de la cubierta para la mano del barril. Jale el borde posterior hacia afuera primero, luego el borde frontal. Repita esto para la cubierta derecha. Usted puede añadir o remover los Rieles Picatinny a la cubierta tan solo si las mitades han sido separadas del barril. Cuando este re-ensamblando, instale el lado izquierdo primero, luego el lado izquierdo.
2. El tornillo Hop Up se le debe dar 3 vueltas tomadas desde la posición de general (ver la página 9) para así remover el barril en una forma mas fácil.
3. Cuando este empujando hacia atrás sobre el Anillo Delta, utilice la llave para aflojar la

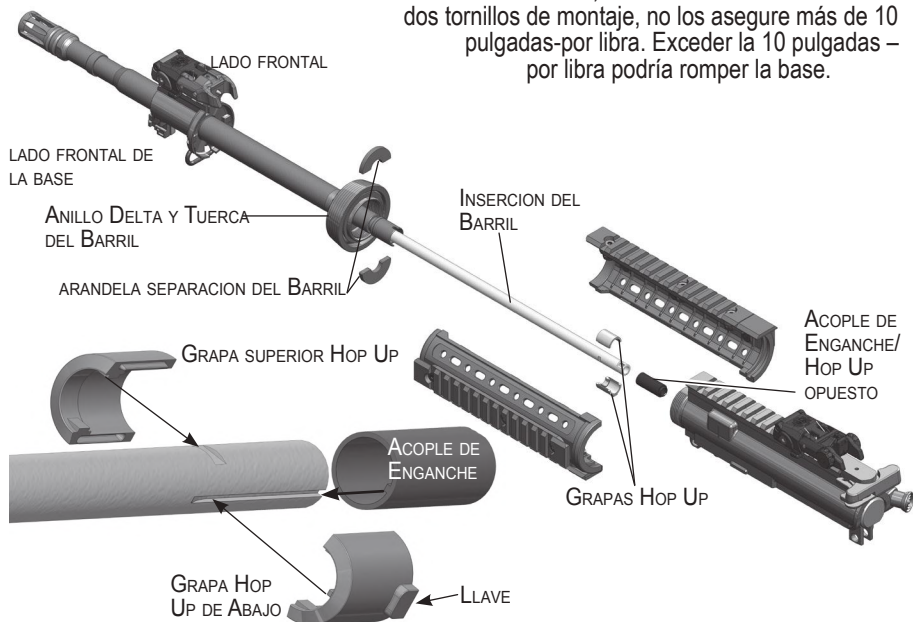
Tuerca del Barril (9) para remover el Recibidor Superior. Este listo para atrapar la arandela del Barril (8) cuando la tuerca del barril este suelta. Cuando este apretando la Tuerca del Barril, asegúrese que un valle (ver las flechas) está en la posición de las 12 en punto para el protector para la manos este alineado correctamente.



4. El Ensamble del Barril completo (7) puede ser jalado derecho para afuera del recibidor.

Ensamble del Barril

1. Jale el segmento del Barril hacia afuera.
2. Remueva de arriba a abajo las dos mitades de las abrazaderas, Cuando las vaya a reinstalar, note que la parte superior tiene una indentación para encajar en el Recibidor superior siguiendo la orientación apropiada.
3. Remueva el Acople de Enganche/ resorte. Cuando este reinstalando, aplique una pequeña cantidad de silicona en espray es aceptable, Note que en la parte inferior del Acople de Enganche y en la parte inferior de las abrazaderas hay unas indentaciones para acoplar dentro del Barril siguiendo la orientación adecuada.
4. Para reensamblar, sostenga el Ensamble del Barril con el anillo Delta mirando para arriba. Con una mano, sostenga la arandela Split en el Barril. Luego jale el anillo Delta hacia arriba para encontrar la arandela Split.
5. Introduzca el conjunto del Barril con el Acople de Enganche (refuerzo) y abrazaderas que estén alineadas con las indentaciones del Recibidor Superior.
6. Asegure la Tuerca del Barril (ver Recibidor Superior arriba).
7. Si usted remueve la Base del Lado Frontal en el Barril, cuando este reinstalando los dos tornillos de montaje, no los asegure más de 10 pulgadas-por libra. Exceder la 10 pulgadas – por libra podría romper la base.



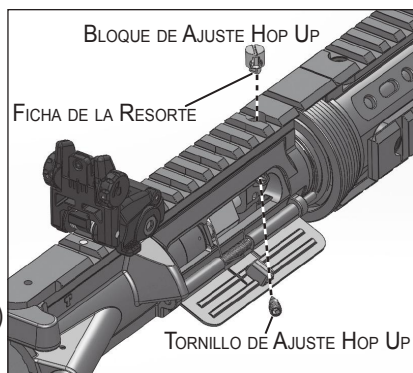
Ensamble Hop Up

Remueva el Bloque de Ajuste Hop Up:

1. Remueva el tornillo de ajuste.
2. Invierta el rifle para que le permitir al bloque caer en el bolsillo del recibidor superior.

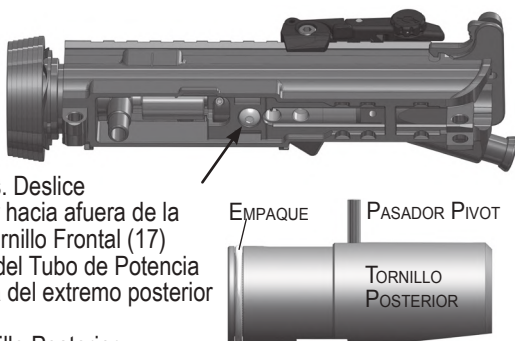
Instalacion del Bloque de Ajuste Hop Up:

1. Oriente el bloque de ajuste Hop Up con la lengüeta del resorte, mirando para el bolsillo del tornillo de ajuste. (Note que la cajuela en la parte superior del bloque de ajuste está alineada en la dirección de tornillo de ajuste.)
2. Inserte el bloque de ajuste dentro del recibidor y empujelo ligeramente hasta que este toque el bloqueo Hop up. (Asegúrese de alinear la ranura de la parte superior del bloque de ajuste con la dirección del tornillo.)
3. Inserte el tornillo de ajuste hasta que solo queden expuestas 1-2 roscas del tornillo.
4. El sistema Hop up está listo para ser ajustado para mayor precisión/alcance. (ver la página 7).



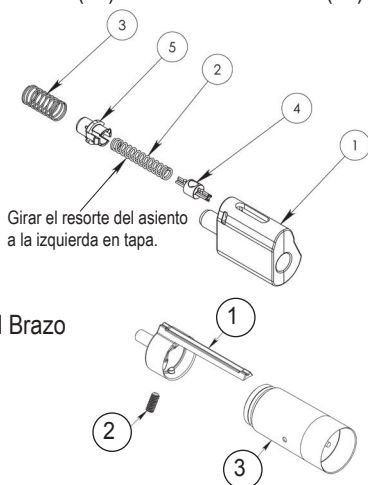
Tornillo Posterior

1. Remueva enter 10 -32 tornillos (23) del fondo del Recibidor Superior.
2. Jale la manija de carga 2 pulgadas exponiendo los tornillos. Deslice el ensamble del Tornillo Posterior hacia afuera de la parte posterior del Rifle M4. El Tornillo Frontal (17) brazo conector (15), y la válvula del Tubo de Potencia (14) pueden ser removidos ahora del extremo posterior del Recibidor Superior.
3. Inspeccione el empaque del Tornillo Posterior buscando danos. Aplique una capa muy superficial del aceite Certificado por Tippmann en el empaque antes de instalar en Tornillo Posterior.



Tornillo Frontal, Tubo de Potencia y Valvula

1. Refiérase a la página 28, desconecte el brazo Conector (15) del Tornillo Posterior (16) y el Tornillo Frontal (17).
2. Deslice hacia afuera el Tornillo Frontal del Tubo de Potencia.
3. Las partes del Tornillo Frontal son:
 - (1) Tornillo Frontal
 - (2) Resorte
 - (3) Resorte
 - (4) Seguro del resorte
 - (5) Cubierta del resorte Tornillo Frontal
4. Cuando este re-ensamblando, asegúrese que el agujero del ítem 4 este orientado hacia arriba. El Brazo Conector va dentro de este agujero.
5. Las partes del Tubo de Potencia son:
 - (1) Tubo de Potencia
 - (2) Juego de Tornillo, 8-32x3/8"
 - (3) Ensamble de la Válvula



Recibidor Inferior

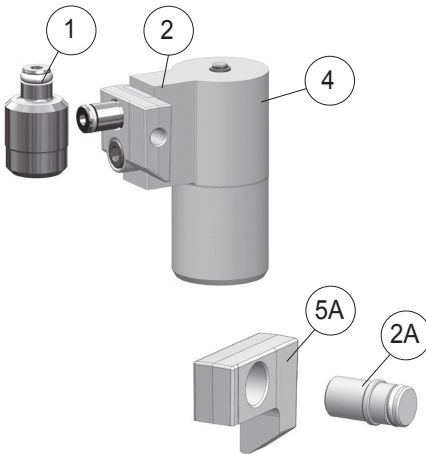
Refierase a la página 27.

1. Remueva el Boton Selector jalandolo hacia afuera del recibidor.
2. Asegurese que el pasador que va al fondo este completamente afuera. Este no podra ser removido completamente.
3. Levante el conjunto del Gatillo (3) del Recibidor Inferior.
4. Remueva el Tornillo (#8 en la página 27).
5. Levante la válvula perforadora (5) del Recibidor Inferior.
6. Para lubricar el Resorte Guía (esta dentro del Tubo Stock) oriente el Recibidor Inferior como se muestra. El Resorte Guía sostenido en su lugar usando fricción. Con un movimiento rápido y repetido deslice hacia abajo y afuera el Resorte Guía lo suficiente para poderlo agarrar. Lubrique con aceite Certificado Tippmann.



Ensamble Valvula Perforadora

Conjunto de la válvula de la punción (como se muestra a continuación) se utiliza cuando la 12 gramos cartucho de CO2 se instala en la revista se suministra con la carabina M4. Si está utilizando un control remoto de aire, ASA sistema de distribución de aire, o de un servicio postventa magazine, por lo que hay que extraer el conjunto de la válvula de punción como se describe en la página 9 y utilice las partes 2A y 5A de la bolsa de accesorios (que se incluye con la carabina M4).

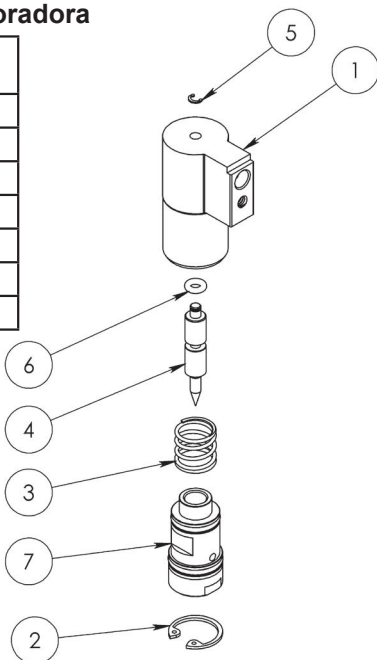


ITEM	Ensamble Valvula Perforadora DESCRIPTION
1	Ensamble Valvula Perforadora
2	lado la válvula perforadora
2A	Tapón del Acople (para uso línea remota o ASA)
3	Tornillo, SHCS, #6-32 x 1/4"
4	la entrada de ajuste
5	pestaña de bloqueo
5A	pestaña de bloqueo (para uso línea remota o ASA)

Cuerpo del Ensamble de la Válvula Perforadora

ITEM	Cuerpo del Ensamble de la Válvula Perforadora DESCRIPTION
1	Cuerpo de la Válvula Perforadora
2	9/16" Anillo de Retención Interno
3	Resorte
4	Pasador Perforadora
5	Gancho-C
6	Empaque, CU, 70A, 2-006
7	Piston Perforador

1. Remueva y ponga a un lado el Anillo de Retención Interno (2).
2. Remueva el Gancho-C (5). Empuje una llave Hex a través del agujero en la parte superior del ítem 1, moviendo el Piston Perforador (7) del cuerpo de la válvula Perforadora (1). Lubrique el empaque con grasa Certificado por Tippmann.
3. Inspeccione el Resorte (3) y el Empaque (6) buscando desgaste, y reemplácelo si es necesario.
4. Reinstale todas las partes dentro del cuerpo de la válvula perforadora y reinstale y retenga instalando el Gancho C- (5), luego en Anillo Interno de Retención (2).

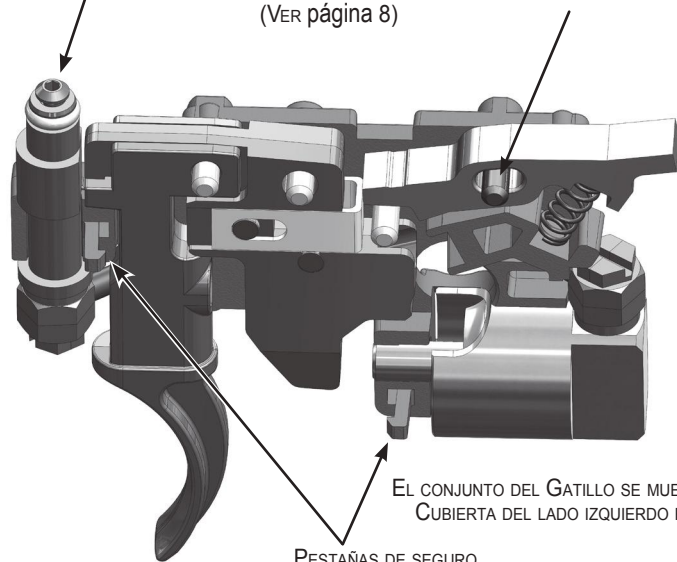


Conjunto del Ensamble del Gatillo (la lista de partes están en la siguiente página)

1. Retire el Botón Selector jalando esta hacia afuera del lado del receptor.
2. Levante el Conjunto del Ensamble del Gatillo del Recibidor Inferior.

AJUSTE DEL GATILLO DE LA RATA DE DISPAROS
(VER página 8)

PASADOR DEL CIERRE (NEGRO)



EL CONJUNTO DEL GATILLO SE MUESTRA CON LA CUBIERTA DEL LADO IZQUIERDO REMOVIDA.

PESTAÑAS DE SEGURO

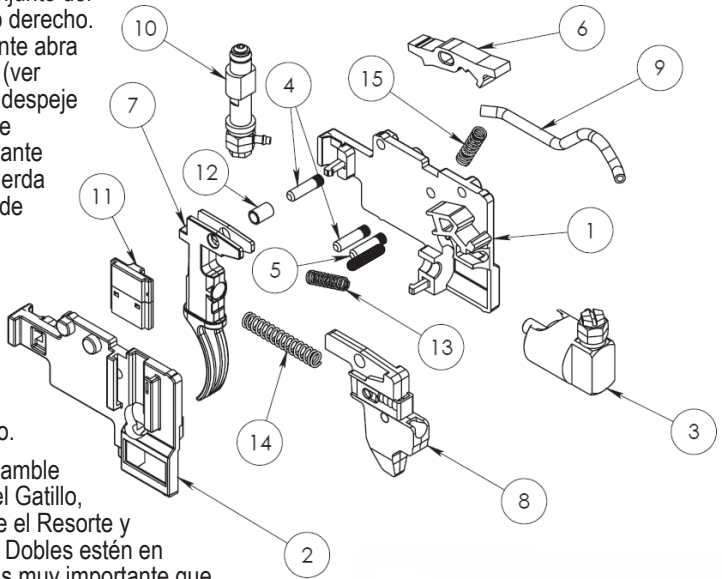
3. Coloque el conjunto del Gatillo en lado derecho. Cuidadosamente abra las dos aletas (ver grafico abajo) despeje los agujeros de retención. Levante la platina izquierda del Gatillo (2) de el ensamble.

4. Inspeccione todos los resortes buscando desgastes, reemplácelos si es necesario.

5. Cuando reensamble el Conjunto del Gatillo, asegúrese que el Resorte y los pasadores Dobles estén en sus lugares. Es muy importante que el pasador del Cierre (5, negro) está en la posición correcta.

6. Reinstale el Conjunto del Gatillo en el Rifle M4.

7. El conjunto del Gatillo debe estar en su lugar para ajustar el control del Flujo (11). Use una llave Hex en el lugar que se muestra para hacer cambios en la rata de disparo (ver la página 8).

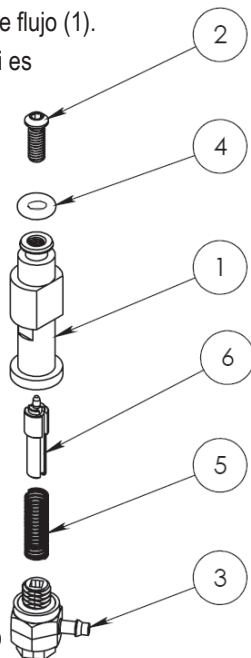


ITEM	Ensamble del Gatillo DESCRIPTION
1	Cubierta del lado derecho
2	Cubierta del lado izquierdo
3	Ensamble de Pistón Response
4	Pasador, 1/8 x 1/2, moleteada
5	Pasador Cierre (negro)
6	Cierre
7	Gatillo delantero
8	Gatillo trasero
9	línea de gas, 5/64" ID x 1/8" OD
10	Ensamble del Control de flujo
11	Ensamble de seguridad
12	Gatillo Casquillo
13	Resorte de compresión
14	Resorte, 1.174" FL x 0.188" OD
15	Resorte, 0.600" FL x 0.172" OD

Ensamble del Control de Flujo

1. Retire el tornillo de ajuste (2) retirando del Cuerpo Control de flujo (1).
2. Inspeccione la Empaque (4) en busca de daños y sustituir si es necesario.
3. Quitar la conexión de banjo (3) para acceder a la pasador maquinado Control de flujo (6) y el resorte (5).

ITEM	ENSAMBLE DEL CONTROL DE FLUJO DESCRIPTION
1	Cuerpo Control de Flujo
2	#4-48 x 5/16" Tornillo de ajuste de ventilación
3	conexión de banjo
4	Empaque, 2-006
5	Resorte
6	pasador maquinado Control de flujo



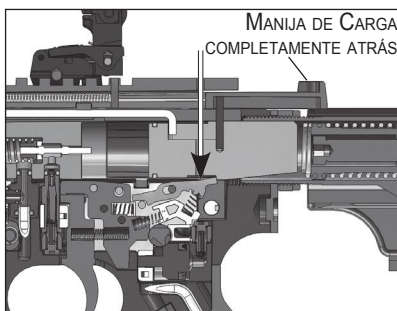
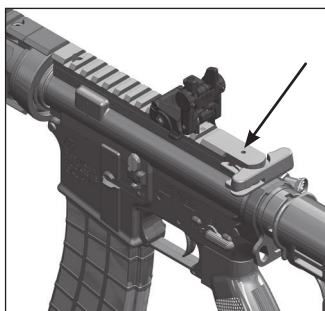
Solucion a Problemas

Problema: Usted no puede jalar el Gatillo.

Solución: Descargue y Remueva el magazine. Remueva el suministro de aire. Mueva el botón Selector a posición Semiautomático. Tire el Gatillo para ver si retrocederá ahora cuando tirado.

Problema: Al Jalar el Gatillo no se libera el Tornillo Posterior.

Solución: Manualmente libere el cierre desde el tornillo Posterior hacienda lo siguiente: remueva el suministro de aire (liberando el Magazine desde atrás, de apaque la Línea Remota o remueva el cilindro de aire desde el ASA, ver las páginas 6 y 16). Descargue y Remueva el magazine. Encuentre el agujero en la parte superior de la manija de carga. Jale



la manija hasta que usted pueda introducir una llave hex de 3/32' en el agujero. Como se puede ver en la grafica de la derecha (doble flecha), empuje para abajo usando la llave hex para liberar el Cierre de del Tornillo Posterior. Usted sentirá un sonido click cuando el Cierre libera el Tornillo.

Problema: Jalando el Gatillo del airsoft BB no hay disparo.

Solución: El barril debe tener una bola de BB rota alojada en su interior. Un airsoft BBs que no este marcada como de Precisión BBs se puede romper dentro del barril cuando usted hace disparos. Siga las instrucciones en la página 16-17 para remover el barril para limpieza.

Problema: Usted no puede cerrar el Rifle M4 cuando esta usando un magazine de otro fabricante.

Solución: Modifique el ensamble de la válvula de Perforación como se describe en la página 9. Si la aleta que asegura no es reemplazada con un tapón Fitting acople, habrá una interface cuando trate de cerrar el Rifle M4.

Problea: No puede cerrar la carabina M4 cuando se usa un cargador genérico.

Solución: Extraer la válvula de punción como se describe en la página 9. Si la punción no se ha quitado la válvula, habrá interferencia cuando intenta cerrar la carabina M4 al usar un cargador genérico.

Especificaciones Rifle M4

Modelo.....	Rifle M4
Calibre	6mm
Accion.....	Realista Retroceso Retroceso Patada
Potencia/Suministro de Aire	Magazine estándar de 12 gms CO2; CO2 o APA Línea Remota/Opción ASA
Modos de Disparo	Semi-Auto, Completo –Auto y Seguro
Hop Up	Ajustable
Capacidad del Magazine	80 Bolas para airsoft BBs
Rata del Ciclo	8-20 disparos por segundo
Longitud estándar del Barril.....	14.3" / 363 mm
Longitud total (con el barril estándar, carga complete comprimida)	29.3" / 743 mm
Longitud Total (con el barril estándar, mango extendido completamente)	33.0" / 838 mm
Peso	5.5 lbs. / 2.5 Kg

Velocidad: siempre mida la velocidad de su Rifle M4 antes de iniciar cualquier juego airsoft y nunca haga disparos con velocidades que excedan la velocidad establecida para el campo de juego (ver la página 7).

Rifle M4 Diagrama de Partes

Fabricado por

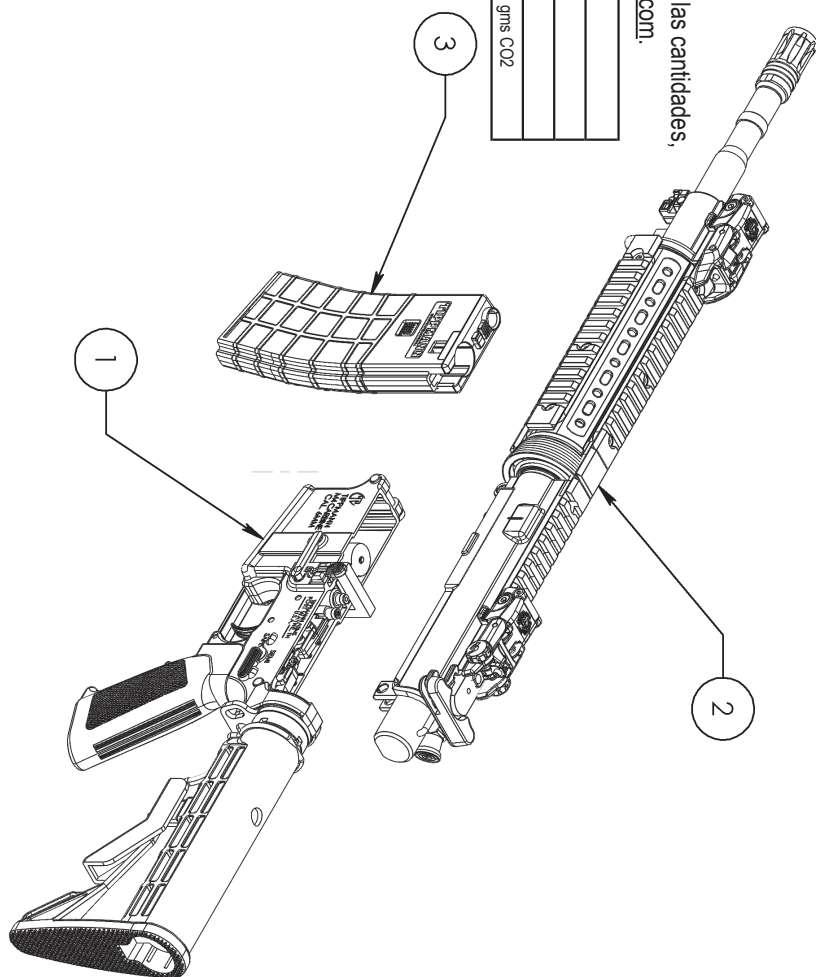
TIPPMANN®

1-800-533-4831

www.Tippmann.com

Para números de parte y las cantidades,
consulte www.Tippmann.com.

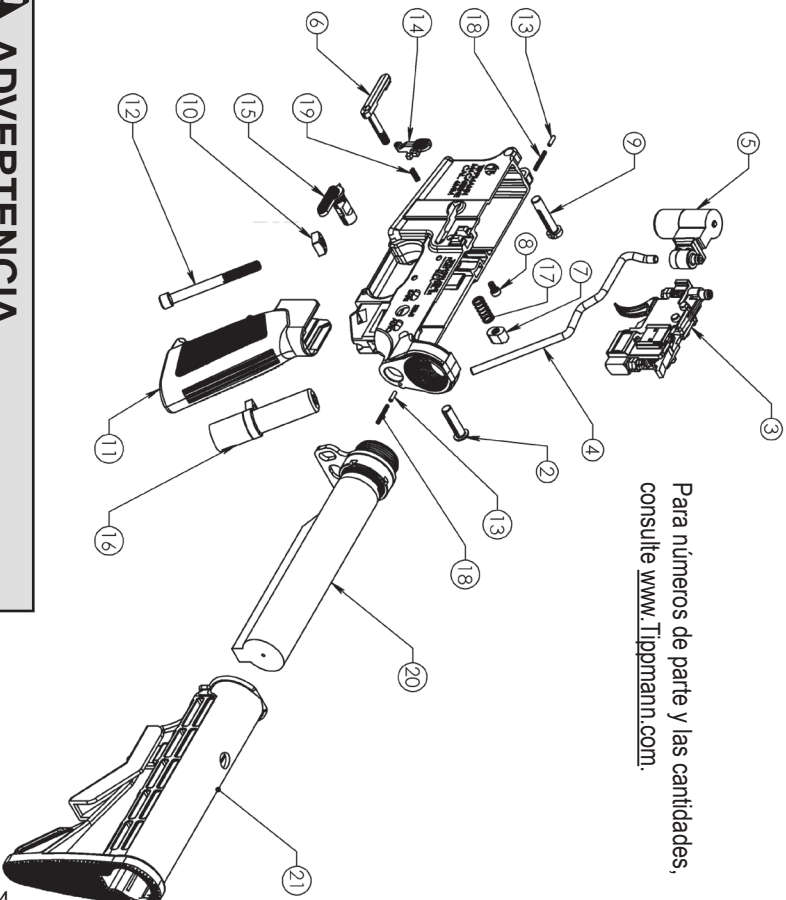
ITEM	DESCRIPTION
1	Receptor inferior
2	Receptor Superior
3	Magazine estándar de 12 gms CO2



ESPAÑOL

VER. 02/10/14

ITEM	DESCRIPTION
1	Receptor Inferior
2	Pasador Tomar abajo
3	Ensamble de Gatillo
4	línea de gas
5	Ensamble Valvula Perforadora
6	relén de la Magazine
7	Liberador del Magazine
8	Tornillo, SHCS #6-32 X 1/4"
9	Pasador Pivot
10	Tuerca cuadrado 1/4-20
11	Mango
12	Tornillo, SHCS - 1/4-20 UNC X 2.5"
13	Pasador Delant
14	Tebón de cierre
15	Ensamble de Seguro
16	Unión de la línea de gas
17	Resorte, 1.156" FL., X 0.297" O.D.
18	Resorte, 0.750"FL X 0.0,84"OD
19	Resorte, 0.120" O.D., X 0.438" FL.
20	Tubo Stock Colapsible
21	Stock Colapsible



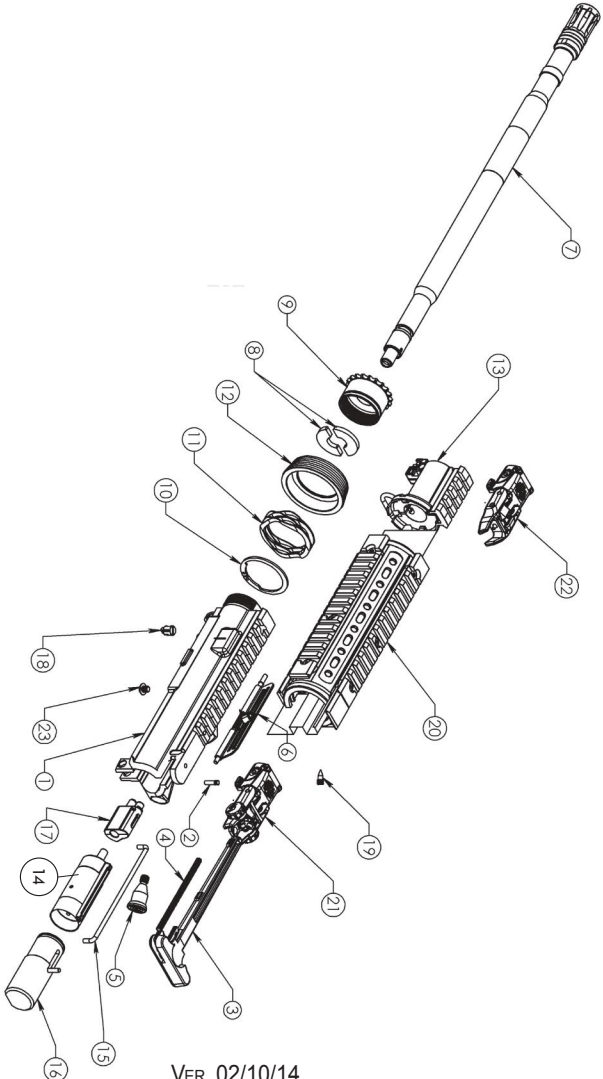
Para números de parte y las cantidades,
consulte www.Tippmann.com.

⚠ ADVERTENCIA

No desensamble este marcador mientras este presurizado.
Nunca presurise un marcador parcialmente ensamblado.

Para números de parte y las cantidades, consulte www.Tippmann.com.

ITEM	DESCRIPTION
1	Recibidor Superior
2	Pasador doble, negro
3	Ensamble Manija de Carga
4	Resorte, 3.43" FL x 0.170" OD
5	Botón de asistencia hacia delante
6	Puerto de eyeccción de la Cubierta
7	Ensamble Barril
8	Arandela separador del Barril
9	Tuerca del Barril
10	Anillo de retención
11	Resorte ondulado
12	Anillo Delta
13	Lado frontal de la base
14	Valvula con Tubo de Potencia
15	Brazo Conector
16	Tornillo Posterior
17	Tornillo Frontal
18	Bloque de ajuste
19	Tornillo de ajuste, #10-32 UNF Pricatimny
20	Protector para la mano con Rieles
21	Lado Posterior
22	Lado Frontal
23	Tornillo, #10-32 x 3/16" BHSCS



VER. 02/10/14

⚠ ADVERTENCIA

**No desensamble este marcador mientras este presurizado.
Nunca presurise un marcador parcialmente ensamblado.**

Informacion de Garantia y Reparacion

TIPPMANN SPORTS, LLC (“Tippmann”) esta comprometida con productos de calidad para paintball y destacado servicio. En una improbable eventualidad que se presente algun problema con este Pistolas de Aire de Baja Energía (Low Energy Air Gun (“LEAG”)) para paintball Tippmann y / o accesorios (“Accesorios”) el personal de servicio al cliente de Tippmann estan disponibles para asistirle. Para servicio al cliente y/o otra informacion, porfavor contacte:

Tippmann Sports, LLC

2955 Adams Center Road

Fort Wayne, IN 46803

www.Tippmann.com

1-800-533-4831

Tippmann Sports Europe, SPRL

Rue du Mont D’Orcq 16

Z.I. Tournai Ouest, 7503 Froyennes, Belgium

www.Tippmann.com

Telephone +32 (0) 69 549 578

Registro de Garantia

Para activar la Garantia Limitada de su LEAG, usted debe registrar su LEAG durante los treinta (30) dias apartir de la fecha de su compra, mediante:

1. Registro en linea en www.tippmann.com; o
2. Diligenciando la tarjeta de garantia adjunta y enviandola a la direccion de Tippmann que se dio arriba.

La Garantia Limitada para Accesorios Tippmann no requiere de registro o activacion; cuando usted realiza la el registro de su LEAG, ya ha activado la garantia de los Accesorios.

Garantia Limitada

Tippmann le garantiza al comprador original que hará todo tipo de repaciones o reemplazos necesarios para corregir algún defecto en los materiales o mano de obra sin costo, en su LEAG por un periodo de uno (1) año desde la fecha de su compra. Es mas Tippmann le garantiza al comprador original que hará toda reparación necesaria o reemplazos necesarios para corregir defectos en partes o mano de obra, sin costo para usted, Para Accesorios Tippmann por un periodo de noventa (90) días desde el día de la compra. Todo lo que Tippmann le pide es que haga el mantenimiento apropiado y cuide su LEAG y sus Accesorios (colectivo, el “Producto”) y que usted tiene garantía de reparación realizada por Tippmann o por centros de servicio técnico certificados por Tippmann.

Esta Garantía Limitada no puede ser transferida y no cubre daños o defectos a los Productos causados por (a) mantenimiento inadecuado, (b) alteraciones o modificaciones; (c) reparaciones no autorizadas; (d) accidentes; (e) abuso o uso inadecuado; (f) descuido o negligencia; y / o (g) desgaste normal o ruptura.

Tippmann no autoriza a ninguna persona o representantes para asumir o garantizar algún tipo de garantía u obligación con la venta de este Producto.

ESTA ES LA UNICA GARANTIA EXPLICITA DADA CON LA COMPRA DE ESTE PRODUCTO; CUALQUIER OTRA U OTRAS GARANTIAS EXPRESADAS SON RECHASADAS. LAS GARANTIAS IMPLICITAS PARA COMERCIALIZACION Y APTITUD

PARA UN PROPOSITO PARTICULAR SON LIMITADAS A LA APLICABILIDAD DEL PERIODO DE LA GARANTIA LIMITADA POR EL PERIODO ESTABLECIDO Y NINGUNA GARANTIA EXPRESADA O IMPLICITA, DEBE APLICARSE DESPUES DE LA EXPIRACION DE DICHO PERIODO.

Algunos estados o naciones no permiten limitaciones en la duración de garantías implícitas, de tal manera la limitación de arriba puede que no se aplique en su caso.

La única y exclusiva responsabilidad de Tippmann y/o sus distribuidores autorizados bajo esta Garantía Limitada debe ser para reparaciones o reemplazo de cualquier parte o ensamble que este defectuoso en sus materiales o en mano de obra. TIPPMANN NO SERA RESPONSABLE POR, Y CON SU RENUNCIA EXPLICITA, POR ALGUNA CONSECUENCIA DIRECTA O INDIRECTA O DAÑOS SECUNDARIOS (" DAÑOS" COLECTIVOS) COMO COSECUENCIA DE LA VENTA O USO DE, O SU INHABILIDAD DE USAR ESTE PRODUCTO. NINGUN PAGO O COMPENSACION SE OTORGARA EN CASO DE DAÑOS REALIZADOS, INCLUYENDO LESIONES PERSONALES O PROPIEDAD O PERDIDAS ECONOMICAS QUE SE PUEDA INCURRIR O SOSTENIDO POR RAZONES DE LA FALLA DE ALGUNA PARTE O ENSAMBLE DE ESTE PRODUCTO.

Algunos estados y naciones no permiten la exclusión o la limitación de daños ocasionales o como consecuencia, entonces la limitación de arriba o la exclusión no se pueda aplicar en su caso. Esta garantía le da unos derechos legales específicos, y usted podría también tener otros derechos que pueden variar de un estado a otro o de una nación a otra.

Reparaciones con Garantía y sin Garantía

Quando enviar este Producto a Tippmann por garantía o reparación sin garantía:

1. Si usted tiene partes en su LEAG que se adquirieron después de compra, por favor pruebe su LEAG con partes originales antes de enviar el LEAG para servicio o reparación.
2. Siempre descargue y remueva el suministro de aire de su LEAG. No envíe el cilindro suministro de aire si no esta completamente vacío.
3. Envíe el Producto a la dirección de Tippmann identificada arriba.
4. Usted debe prepagar el costo de envío y sellos postales.
5. Suministre la fecha de compra de su Producto.
6. Brevemente describa que tipo de reparación requiere.
7. Incluya su nombre, dirección y telefono en el cual podemos hablarle durante horas de oficina, si es posible.

Tippmann hace todo lo posible para poder completar la reparación necesaria en 24 horas desde su recibo. Tippmann le enviara el Producto via UPS regular por tierra. Si usted desea Regular por tierra. Si usted desea recibirla más rápidamente que el servicio regular por tierra, usted puede solicitar envío de ENTREGA AEREA AL DIA SIGUIENTE UPS O SEGUNDO DIA UPS, pero usted deberá pagar el costo adicional por este servicio, por tal razón debe incluir el número de su tarjeta de crédito con fecha de expiración. Haremos el cargo de la diferencia a su tarjeta de crédito.



TIPPMANN®

2955 ADAMS CENTER ROAD
FT. WAYNE, IN 46803 USA

L'inscription de Garantie sur l'internet à www.tippmann.com ou complétez la carte de d'inscription et l'envoyez à Tippmann®.

Registro de Garantía via On line a www.tippmann.com o complete esta tarjeta de garantía y envíela por correo regular a Tippmann®.

M4 Carbine Low Energy Air Gun

Numéro Sérial
Número de Serie

Acheté du
Nombre comprador

Ville
Ciudad

Pays
País

Votre nom
Nombre (letra de molde)

Adresse
Dirección

Ville
Ciudad

Pays
País

E-mail

Date
Fecha

État
Estado

Âge
Edad

Male
Hombre

Femelle
Mujer

Code Postale
Código Postal

No. de téléphone
Teléfono



TIPPMANN®

2955 ADAMS CENTER ROAD
FT. WAYNE, IN 46803 USA

M4 Carbine Low Energy Air Gun

Warranty Registration online at www.tippmann.com
or complete this warranty card and mail to Tippmann®.

Serial Number: _____

Purchased from _____

Date _____

City _____

State _____

Zip _____

Country _____

Your Name (print) _____

Age _____

Male

Female

Address _____

City _____

State _____

Zip _____

Country _____

Phone # _____

E-mail _____

