

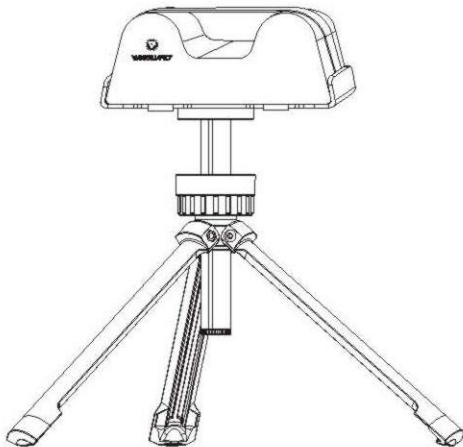


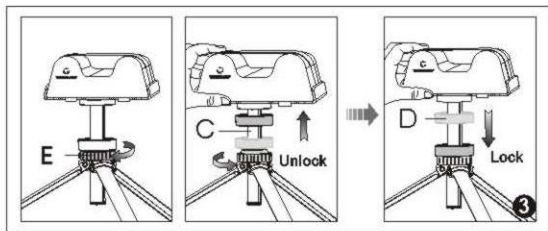
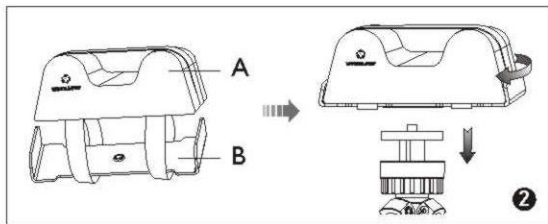
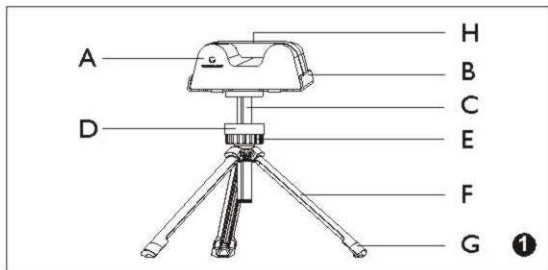
# VANGUARD®

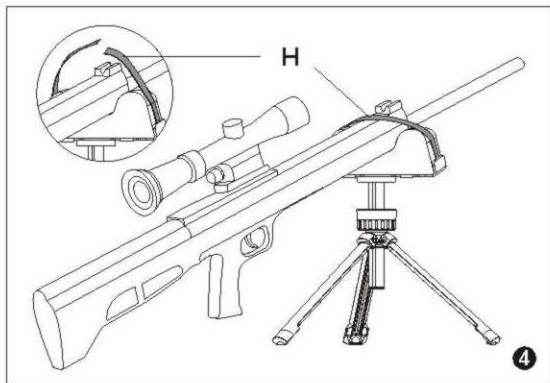
## Porta-Aim

---

## User Manual







**Thank you for purchasing a VANGUARD product.**

## **PART DESCRIPTION ①**

- A : Sand bag
- B : Cradle
- C : Center column
- D : Locking disk
- E : Center column lock
- F : Leg
- G : Rubber feet
- H : Fastening strap

## **ASSEMBLE ②**

Place sand bag "A" on top of cradle "B", and secure it in place with Hook and loop strap. Then securely fix the cradle "E" to the center column "C".

## **USE ③**

Adjust the height of the column as required, then lock the center column lock "E". Release the center column lock "E", the quick lock system makes instant heights adjustments possible. Simply lift the locking disk "D", adjust to the correct height, release the disk and the head is locked in place.