



“The Rock”

Assembly, Care and Usage Instructions



Product# 383774
Instructions# 10009606
Revision: E

STOP!

If you have a problem with this product, **DON'T RETURN IT TO THE STORE WHERE YOU PURCHASED IT.** Contact customer service at...

Battenfeld
Technologies, Inc.

2501 LeMone Industrial Blvd. / Columbia, MO 65201
573-445-9200 / Email: sales@battenfeldtechnologies.com
Or visit our website @ www.BTlbrands.com

NOT WARRANTED AGAINST MISUSE, ABUSE, OR COMMERCIAL USE.

Limited Warranty

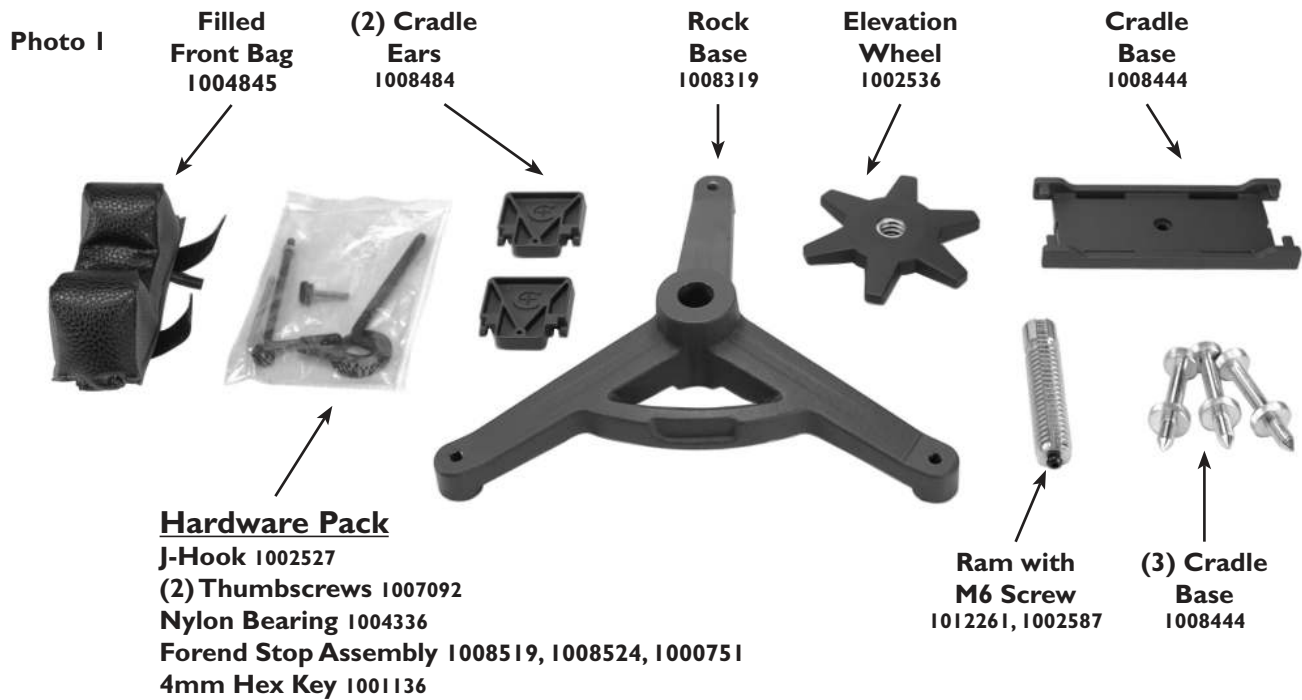
Every Caldwell product is warranted to be free of defects in materials and workmanship for a period of one (1) year from the date of original purchase. Caldwell will, at its option, repair or replace without charge, except for transportation costs, parts that fail under normal use and service when operated and maintained in accordance with our Instructions. This warranty does not apply to normal wear or to items whose life is dependent upon their use and care. This warranty is in lieu of all other warranties, expressed or implied and releases Caldwell, its affiliates, and its vendors from all other obligations and liabilities.



WARNING: IMPORTANT SAFETY INFORMATION!

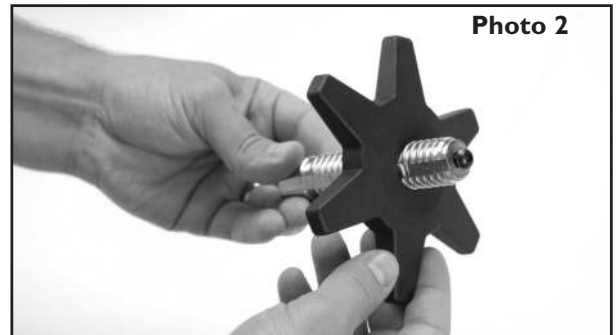
- Always practice safe firearm handling
- Always hold the forend of the firearm when shooting off of this shooting rest or any rest. If it is not held, the recoil can cause the forend to jump out of the front bag, possibly causing damage to the firearm or injuring the shooter.

Thank you for purchasing a Caldwell Rock shooting rest. The Rock comes to you partially assembled. Please take a moment to locate all of the parts shown in this photo. Since we are always trying to improve our products, some components may vary slightly in appearance.



Assembly Instructions

1. To assemble the Rock, first begin assembling the cradle by threading the Elevation Wheel onto the Ram. **See Photo 2.**
2. The ram may come with a screw already installed in it. Use this screw and the supplied hex key to attach the cradle plate and Ram. Be sure the screw is tight and the Cradle Plate is secure. **See Photo 3.**
3. Next attach the ears to the Cradle Plate. To do this lay the ear flat onto the Plate and slide the ear over the tabs. **See Photo 4.** Then thread the thumbscrews into the ears until they just protrude from the far side.
4. Now hold the ears apart and place the front Bag between them. Thread the hook-and-loop straps through the slots in the base and strap it into place. See Photo 5.
5. To finish the Cradle assembly, thread the Forend Stop into the front of the Cradle Plate. **See Photo 6. (SEE USAGE INSTRUCTIONS)**
6. The Rock includes a Ram Lock Key to keep the Ram aligned in the Base. This Ram Lock Key should already be installed in the Base as shown in **Photo 7.** Occasionally the Key will become dislodged during packaging and shipping. Should this happen, simply press it into the



threaded hole as shown. Then align the Ram and slide it down over the Key. (It's normal for a slight interference fit between these parts, this is NOT a defect. If this occurs, ensure that the key and ram slot are correctly aligned and then continue to push the ram down until it slides more freely. This fit will wear in after a few cycles.) Now insert the ram into the Rock Base, and thread the J-hook into the base to lock it in position. **See Photo 8.** 7. Finally, thread the three adjustment feet into the Base. **See Photo 9.**

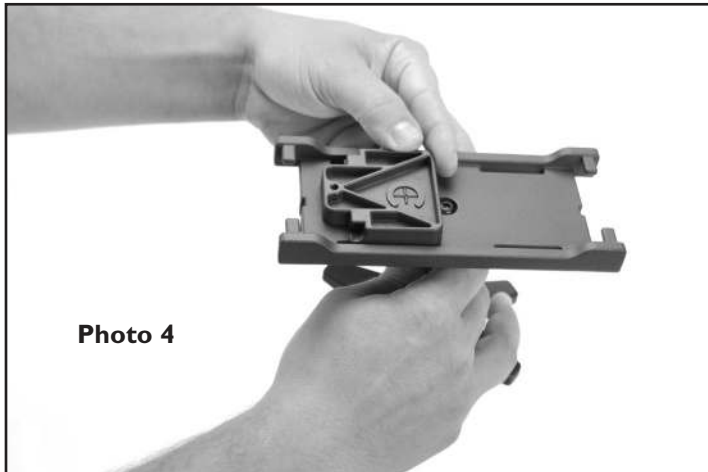


Photo 4

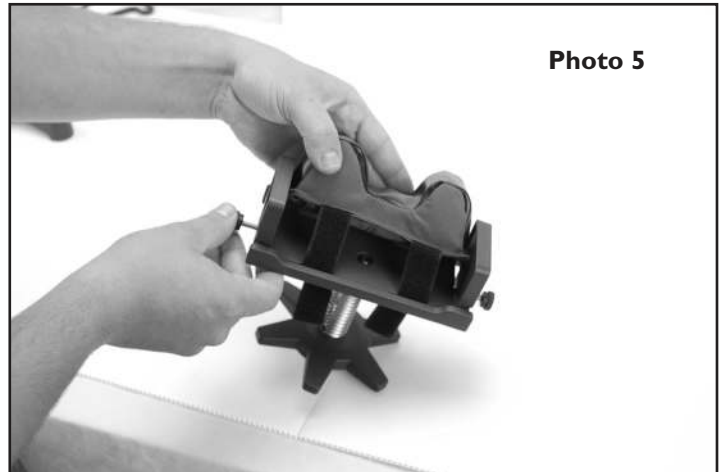


Photo 5



Photo 6

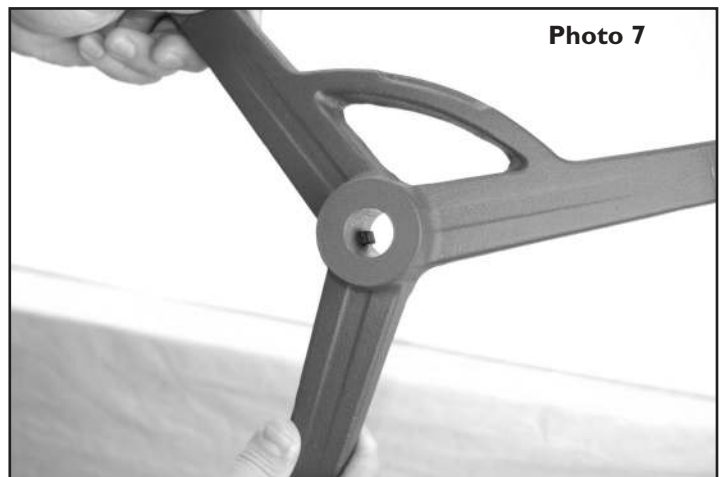


Photo 7



Photo 8



Photo 9

Usage Instructions

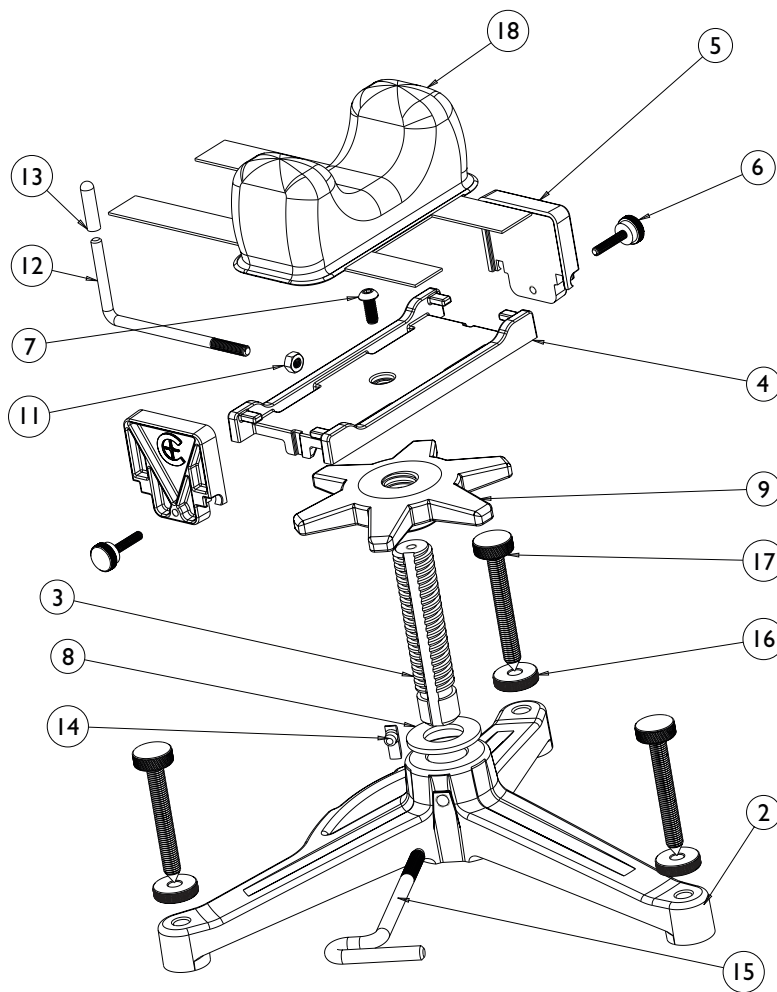
1. Position the Rock on your shooting bench with the rest in the direction of the target, making sure the surface is flat and free of debris.
2. Turn the three adjustable feet in or out to position the rest to your liking.
3. Next place a rear bag (not included) behind the rest for the butt of the gun to rest on. **Note: The Caldwell Medium High Rear Bag will make it easier to shoot at downward angles.**

4. Place an unloaded firearm on the rest. Adjust or reposition the rest and rear bag laterally to align the firearm's sights with the target. Adjust the height of the Rock until the correct elevation is achieved. Elevation adjustments can be made with Ram and Elevation Wheel or by repositioning the rear bag. When the front cradle is in the correct position, lock it in place using the j-hook. **(NOTE: The J-Hook only needs to be tightened enough to keep the front support from moving. The Elevation Wheel will keep the front support in place and only a small amount of tension is necessary to lock it into place. There is no need to tighten the J-Hook any further.)**

5. To adjust the Forend Stop, loosen the jam nut to allow the Stop to be adjusted in or out to fit a particular firearm. The Forend Stop can also be easily disabled by twisting it 90 degrees to the side.

Storage Instructions

For best results store The Rock in a clean and dry environment. Periodically lubricate the threads on the elevation wheel, ram and feet to prevent corrosion.



BILL OF MATERIAL		
No.	Component Name	Part No.
1	ROCK TOP LEVEL ASSY	383774
2	ROCK BASE	1008319
3	RAM	1012261
4	CRADLE BASE	1008444
5	CRADLE EAR	1008484
6	M5x25 THUMBSCREW	1007092
7	M6x1.0 X 16 BHCS	1002587
8	RAM WASHER	1004336
9	ELEVATION WHEEL	1002536

BILL OF MATERIAL		
No.	Component Name	Part No.
10	FOREND STOP SUBASSEMBLY	1009642
11	M6 HEX NUT, BLACK ZINC	1009629
12	FOREND STOP	1008519
13	RUBBER TIP	1008524
14	KEY	1008929
15	J-HOOK	1002527
16	M10 KNURLED NUT	1006388
17	M10 ADJ FOOT SCREW	1006387
18	BAG, FILLED, MED FRNT UNIV	1004845