

FIRE CONTROL FRONT REST

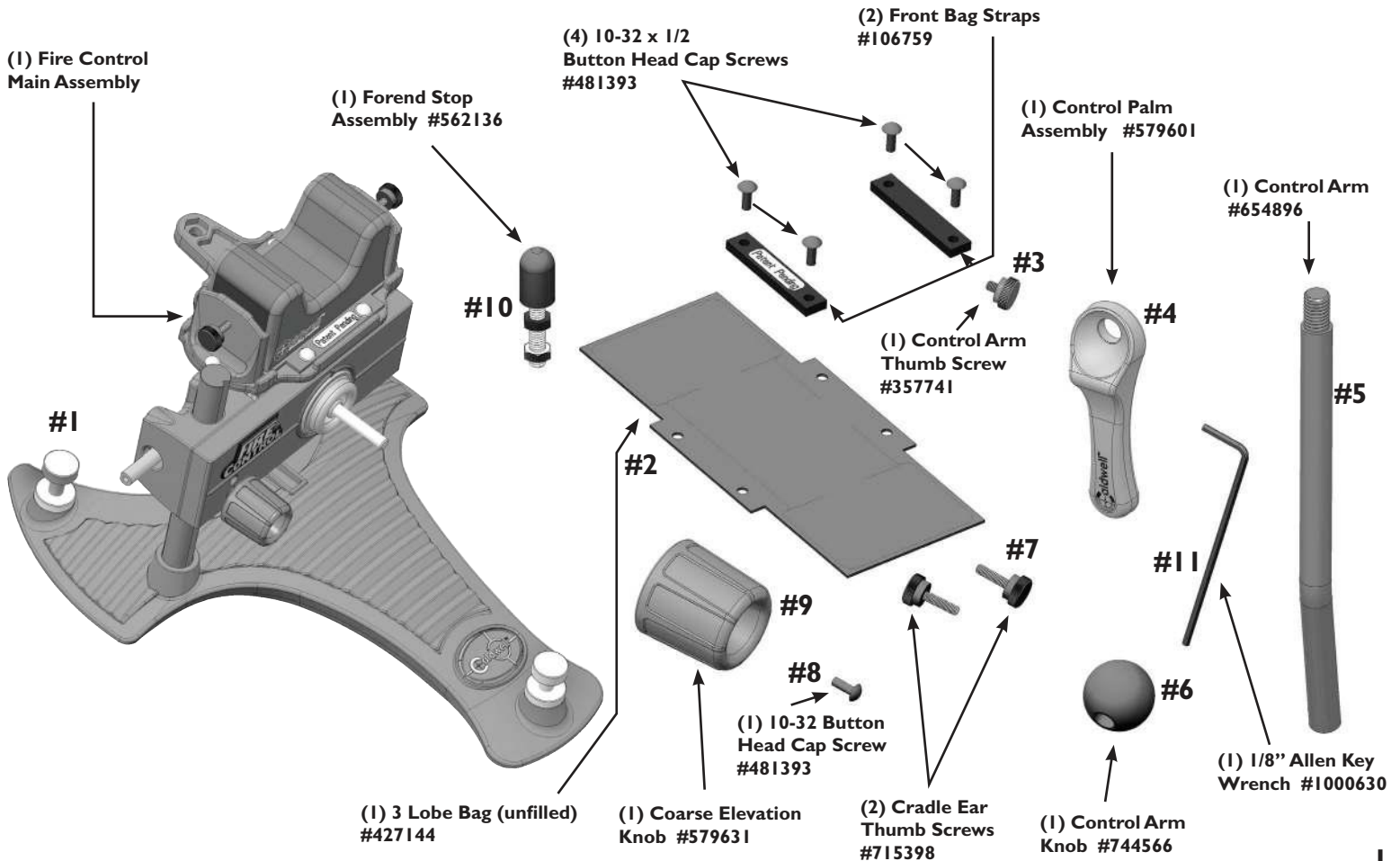
Product #746884

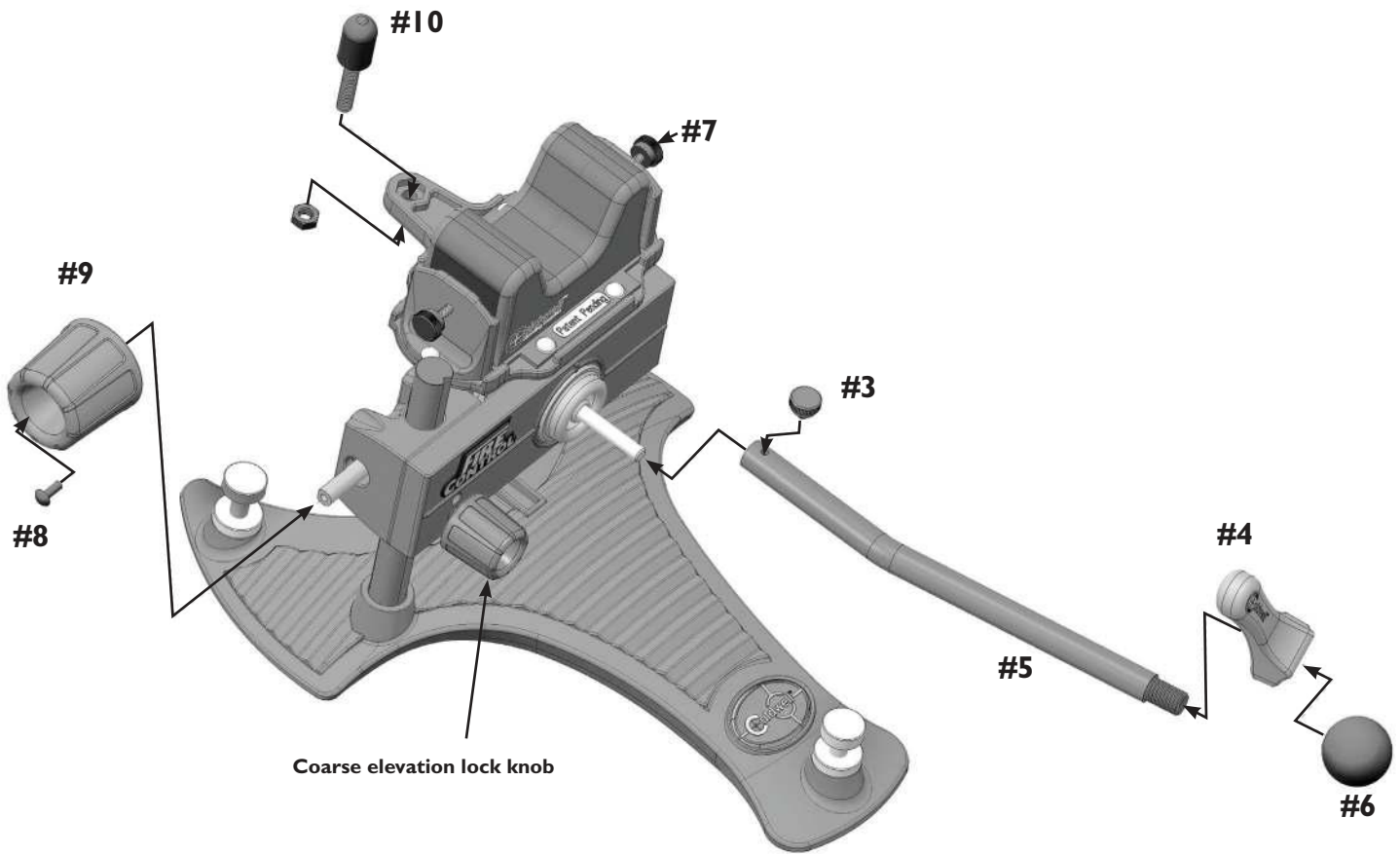
Instruction #355441 Rev: C



Assembly, Care, and Usage Instructions

Thank you for purchasing a Caldwell Fire Control Front Rest. Please take a moment to locate all of the parts shown in this photo.





Completing the Assembly of your Fire Control Front Rest

Control Arm Assembly (Items #3,4,5, and 6)

Slide the #5 Control Arm over the stainless steel shaft protruding from the rubber boot. Make sure the groove in the stainless steel shaft can be seen through the threaded Thumbscrew hole of the #5 Control Arm, thread the #3 Thumbscrew into position and tighten. The Control Arm can be used with or without the #4 Palm Handle. Should you choose to assemble the removable #4 Palm Handle, assemble as seen in the view above and thread the #6 arm knob onto the #5 Control Arm and tighten.

Forend Stop Assembly (Item #10)

The Forend Stop is a rubber coated stud designed to locate the gun stock in the shooting position. Remove the bottom jam nut and insert the threaded Forend Stop shaft to position the jam nut into the hex shaped cavity at the top of the casting. Reassemble the lower jam nut and lock into place with a 1/2" wrench. It maybe necessary to adjust the stop to accommodate your gun stock. Some rifle stocks may not be compatible with the Forend Stop.

Cradle Ear Thumb Screw Assembly (Items #7)

Thread a #7 Cradle Ear Thumb Screw into each side of the Adjustable Cradle Ears. The Cradle Ear Thumb Screws are used to set bag tension according to the shooters preference.

Coarse Elevation Knob Assembly (Items #8,9)

Assemble the #9 Coarse Elevation Knob using the #8 Button Head Cap Screw (provided). Align the #9 Coarse Elevation Knob to the elevation shaft and tighten with the #11 1/8" Allen key Wrench.

Adjustable Base Feet

The Fire Control Base comes pre-assembled with three Stainless Steel Adjustable feet. Any of the three adjustable feet can affect the height and leveling position of the base. Simply loosen the knurled lock nut and rotate the spike foot to the desired height and lock the knurled lock nut against the base.

Instructions on How to Properly Use Your Fire Control Front Rest

NOTE: STORE AND USE IN A CLEAN AND DRY ENVIRONMENT. ONLY CARRY THE FIRE CONTROL FRONT REST BY THE CAST IRON BASE, NOT BY THE RAM OR CRADLE

Place the firearm in the rest and position the forend on the shooting bag, then gently slide the stock forward to make contact with the #10 forend stop (if installed). Make sight-in adjustments using the coarse elevation adjustment or by manipulating the Control Arm lever. Make coarse adjustment with the Elevation Knob and lock that position using the Coarse Elevation Lock Knob. You can also make elevation changes with any of the three leveling feet. To utilize the full benefits of the Fire Control Rest, the initial down range target sight position should provide full range of motion to the Control Arm. This will provide the most opportunity to reestablish target sight position. Make final sight adjustments using the Control Arm and maneuvering the firearm for precise target acquisition. A Caldwell Rear Bag #598458 or compatible configuration is recommended to support the rear of the firearm.

Fine Tuning Your Fire Control Rest

Bag replacement and Adjustment

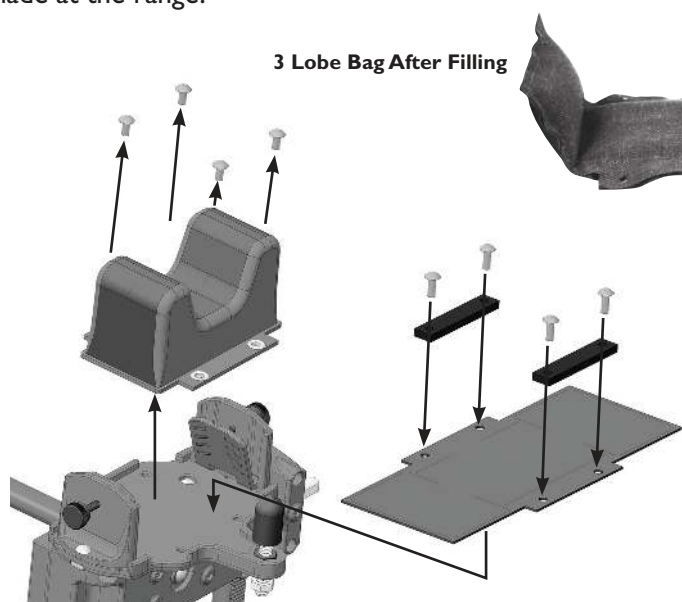
3-Lobe Bag vs. Medium Bag – the 3-lobe bag is designed for wider benchrest style forends. We recommend dry silica sand for filling the 3-lobe Bag.

3 Lobe Bag Filling and Installation

1. Locate the un-stitched portion of the bag for filling
2. Insert a small rigid tube or funnel into the filling spout
3. As you fill the bag, a small blunt-faced instrument may be used to help pack the media. Fill to your satisfaction
4. Remove the factory installed Medium Bag and screws using the supplied 1/8" Allen Key Wrench
5. Install the 3 Lobe bag using the 10-32 x 1/2" Screws and two Bag Straps. The bag strap will seal the fill spout opening of the bag

Adjustment

Either bag can be adjusted to apply more or less tension to the forend of your firearm using the adjustable cradle ears located on either side of the bag. Adjustments can be made using a hex drive bit to move the entire adjustable bag ear assembly inward or outward as well as using the Thumbscrews to apply clamping pressure to the bag. The adjustable cradle bag ears are not designed to clamp the forend into position but merely reduce the initial width of the bag opening. Final adjustments should be made at the range.

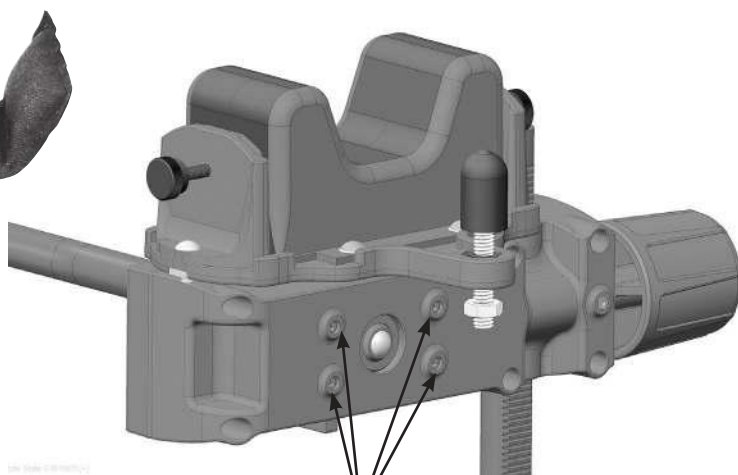


Control Arm Tension Adjustments

Although the Control Arm tension has been carefully calibrated in our manufacturing facility, normal use may require minor adjustments. Some firearms may require more or less tension to provide the desired performance. Each set screw has a nylon tip and is designed to apply force against 1/4" diameter steel ball bearings.

Note: It is important to keep equal tension on all four screws. To adjust the operating tension of the Control Arm:

1. Locate the four set screws positioned at the front of the Control Arm assembly, (opposite side of the Control Arm).
2. Use the #11 1/8" Allen key Wrench to make small incremental adjustments to each of the four setscrews to acquire more or less tension. Less than a 1/8 of turn will make noticeable changes to the operation of the Control Arm. Do not over tighten the set screws; this could damage the internal mechanism and operation of the rest.
3. To reestablish equal tension to the four steel ball bearings, back all four set screws out until flush with the casting. The cradle will become very loose, proceed to make sequential 1/8 incremental turns to each of the four set screws until sufficient tension has been reestablished. Frequently actuate the Control Arm to test the tension.



Control Arm tension adjustments (4 screws)

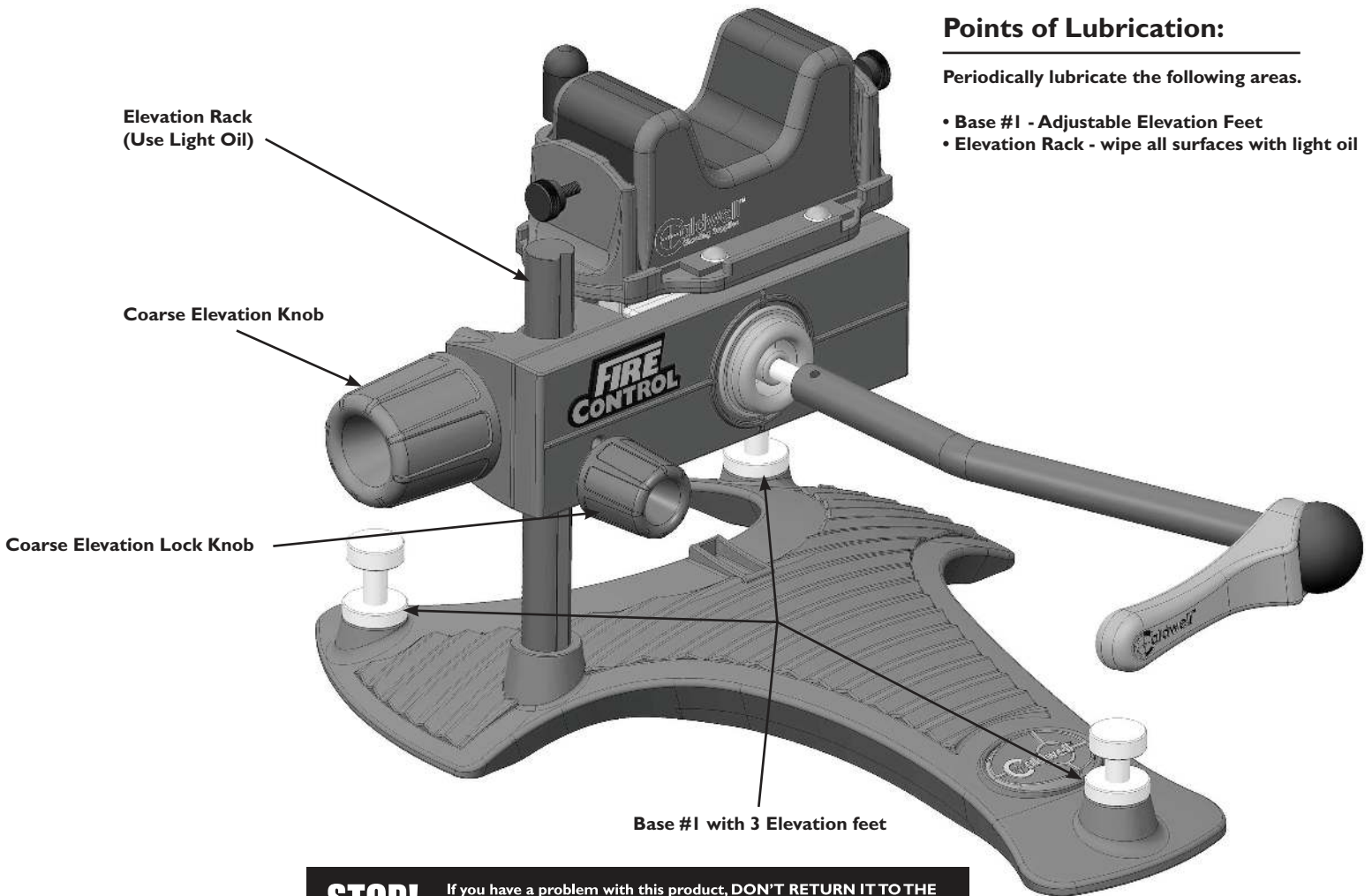
Understanding Coarse Elevation

Coarse Elevation Use

The Coarse Elevation Knob is designed to quickly establish the sight in elevation. To make elevation adjustments, unlock the coarse elevation lock knob (counterclockwise) and rotate the Coarse Elevation Knob to the desired position. Once the desired elevation has been established, apply sufficient tension to the elevation lock knob to maintain position.

Coarse Elevation Tension Adjustment

Although the coarse elevation tension has been carefully calibrated in our manufacturing facility, normal use may require minor adjustments. If more or less tension is desired when turning the coarse elevation knob, the elevation lock knob must be removed to access the elevation tension set screw. Simply back the coarse elevation lock knob completely out (counterclockwise) and use an appropriately sized hex driver to make small incremental adjustments to the set screw. With each incremental adjustment, move the Control Arm block the full range of motion to be comfortable with the tension. Some movement can be expected when the coarse elevation lock knob is not tightened in place.



STOP! If you have a problem with this product, **DON'T RETURN IT TO THE STORE WHERE YOU PURCHASED IT.** Contact customer service at...

Battenfeld Technologies, Inc. 2501 LeMone Industrial Blvd. / Columbia, MO 65201
573-445-9200 / Email: sales@battenfeldtechnologies.com
Or visit our website @ www.BTLbrands.com

NOT WARRANTED AGAINST MISUSE, ABUSE, OR COMMERCIAL USE.
Limited Warranty

Every Caldwell product is warranted to be free of defects in materials and workmanship for a period of one (1) year from the date of original purchase. Caldwell will, at its option, repair or replace without charge, except for transportation costs, parts that fail under normal use and service when operated and maintained in accordance with our Instructions. This warranty does not apply to normal wear or to items whose life is dependent upon their use and care. This warranty is in lieu of all other warranties, expressed or implied and releases Caldwell, its affiliates, and its vendors from all other obligations and liabilities.

WARNING: IMPORTANT SAFETY INFORMATION!

- Always practice safe firearm handling
- Always hold the forend of the firearm when shooting off of this shooting rest or any rest. If it is not held, the recoil can cause the forend to jump out of the front bag, possibly causing damage to the firearm or injuring the shooter.