

A50P

Digital Day & Night Vision Scope



ALPEX PRO A50P delivers 12 MP resolution, a 50 mm lens, and an F1.8 aperture, providing a 12.6 m field of view at 100 m for clear, detailed observation in open terrain and dense forest. The Light Pro algorithm ensures outstanding brightness and clarity in low-light conditions, making every target visible from dawn to deep night. Designed for those who value pure imaging performance without additional modules, A50P offers a lighter, streamlined solution for precision observation.

Key Feature

- 4512 × 2512 resolution CMOS detector
- Light Pro algorithm improves low-light performance at dusk and night
- 50 mm lens with F1.8 aperture
- 1920 × 1080 resolution 0.6 inch AMOLED display
- Supports Day/Night/Auto mode
- Up to 7 hours of continuous operation
- Replaceable and rechargeable battery

· Specification

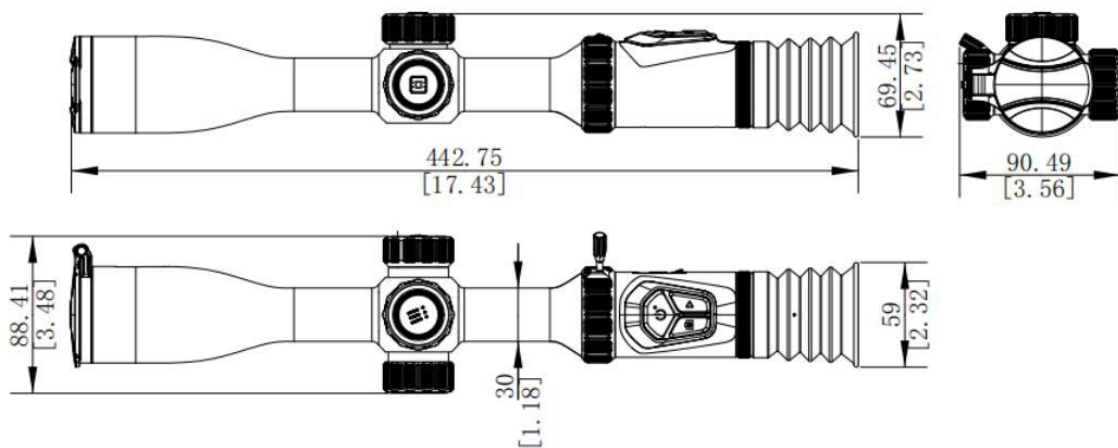
Main	
Max. Resolution	4512 × 2512 (12 MP)
Frame Rate	50 Hz (12 MP) 120 Hz (1080P), via firmware update before August 2026
Lens (Focal Length)	50 mm, F1.8
Light Pro	Yes
Detection Range	Day: 1500 m
Min. Focusing Distance	3 m
Magnification	4.0× to 24.0× (6×) Support 0.1× step value of continuous zooming
Field of View	7.2° × 4.0°/12.6 m × 7 m@100 m
Image Display	
Display	1920 × 1080, 0.6 inch, AMOLED
Image Mode	Day, Night (B/W, Green, Yellow), Auto
Exit Pupil	8 mm
Eye Relief	55 mm
Diopter (Range)	-5 D to 3 D
System	
Record Video	On-board Video Recording
Record Video Resolution	1920 × 1080
Capture Snapshot	Yes
Audio Recording	Yes
Recoil-activation Recording	Yes
Standby Mode	Yes
Storage	Built-in EMMC (64 GB)
PIP	Yes
Freeze Zeroing	Yes
Distance Measurement	NA
Zeroing Profiles	5
Max. Recoil	1000 g/0.4 ms
Click Value	1 Click = 0.66 cm @100 m
Hotspot	Yes
Ballistic Calculation	NA
Power Supply	
Battery Type	Two Rechargeable Lithium Batteries (Internal), One Replaceable and Rechargeable 18650 Battery (External)
Battery Operating Time	7 hours of Continuous Running (@25°C, Hotspot off)

Power Supply	5 VDC/2 A, USB Type-C Interface * Only the built-in battery will be charged via the type-C cable. Use the battery charger to charge the external battery.
General	
Mounting	Standard 30 mm
Protection Level	IP67
Working Temperature	-30°C to 55°C (-22°F to 131°F)
Dimension	442.8 mm × 69.5 mm × 90.5 mm
Weight	852 g with external battery
Laser Rangefinder	
Safety Class for Laser	NA
Wavelength	NA
Max. Measuring Range	NA
Measurement Accuracy	NA
Min. Measuring Range	NA

▪ Available Model

A50P

▪ Dimension



Unit: mm [Inch]

▪ Accessories



Quick Start Guide
(× 1)



Type-C Cable
(× 1)



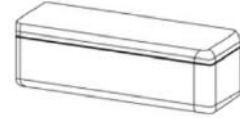
Lint-free Cloth
(× 1)



Battery
(× 1)



Battery Charger
(× 1)



Bag (× 1)



Bag Strap (× 1)



Scope Protective Sticker (×5)



Hikmicro Hunting.Global HIKMICRO Outdoor www.hikmicrotech.com hikmicro hunting.global HIKMICRO info@hikmicrotech.com

Room 313, Unit B, Building 2, 399 Danfeng Road, Xixing Subdistrict, Binjiang District, Hangzhou, Zhejiang
© Hangzhou Microimage Software Co., Ltd. All rights reserved. | Data subject to change without notice!