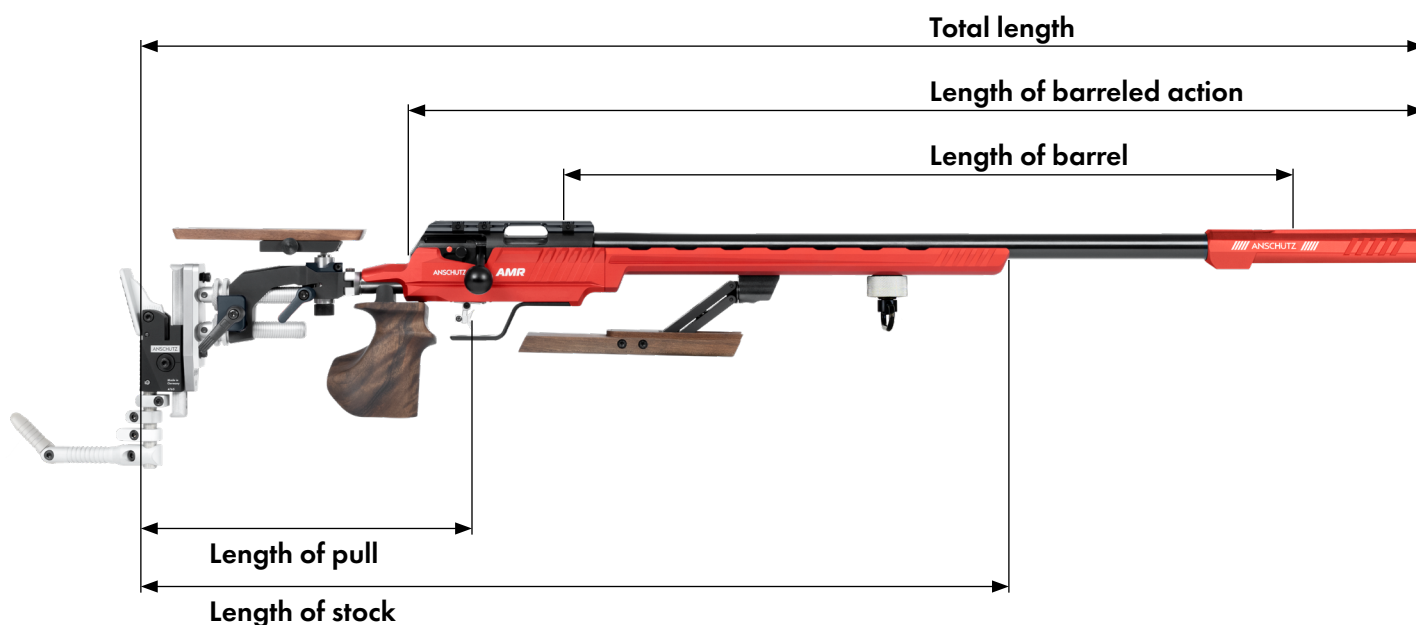


1761 AMR Competition

Sports | Small bore | Free

Depending on the selected configuration, the technical specifications and illustration of your rifle will differ.



This ANSCHÜTZ category C small-bore target rifle (single loader rifle) in cal. .22 l.r. (Rimfire) is manufactured for the intended use in Olympic shooting sports. The use of this civil small-bore target rifle is exclusively subject to the intended use and the „General Technical Rules“ for all shooting sports disciplines of the INTERNATIONAL SHOOTING SPORT FEDERATION (ISSF). The model is only to be used on the approved shooting ranges (for sports disciplines) and may only be used by persons who hold the appropriate gun license.

Production and model changes are subject to change without prior notice. All colors and sizes approximate. Missprints and errors are reserved. © ANSCHÜTZ

www.anschuetz-sport.com

1761 AMR Competition

Sports | Small bore | Free

Total weight approx. **.5.180 g**
Total Length. **.1.120 - 1.160 mm**

Stock

Designation AMR Competition
Material Aluminum
Length of stock. 750 - 790 mm
Length of pull 285 - 325 mm
Weight of stock, approx. 2.280 g
Butt plate. 4765 Hook butt plate

Barreled Action

Designation 1761 Match (Single loader)

With barrel 25.5" (647 mm)

Length of barreled action 880 mm
Length of barrel 25.5" (647 mm)
Rifling631 mm
Muzzle diameter 23,9 mm
Length of aiming. 700 - 865 mm
Weight of barreled action, approx. 2.900 g
Mounting platform 11 mm prism rail

1761 AMR Competition

Sports | Small bore | Free

Trigger

Designation5061 M Match
Type of triggerTwo stage trigger
Trigger weight, factory set at125 g
Adjustment of the trigger weight100 - 200 g
Cant of the trigger blade - right/left11 mm
Adjustment of the trigger blade - forward/backward 23 mm
Adjustable to single stage trigger.Yes

Caliber

.22 l.r.

Number of grooves8
Twist rate420 mm